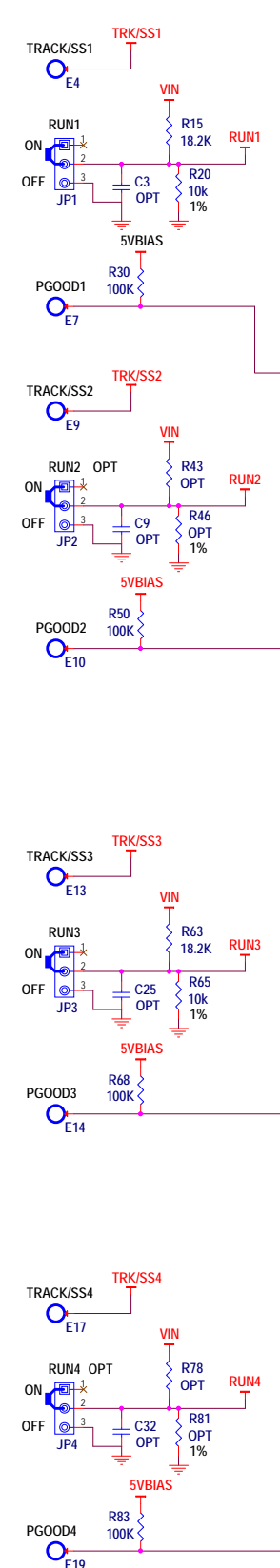
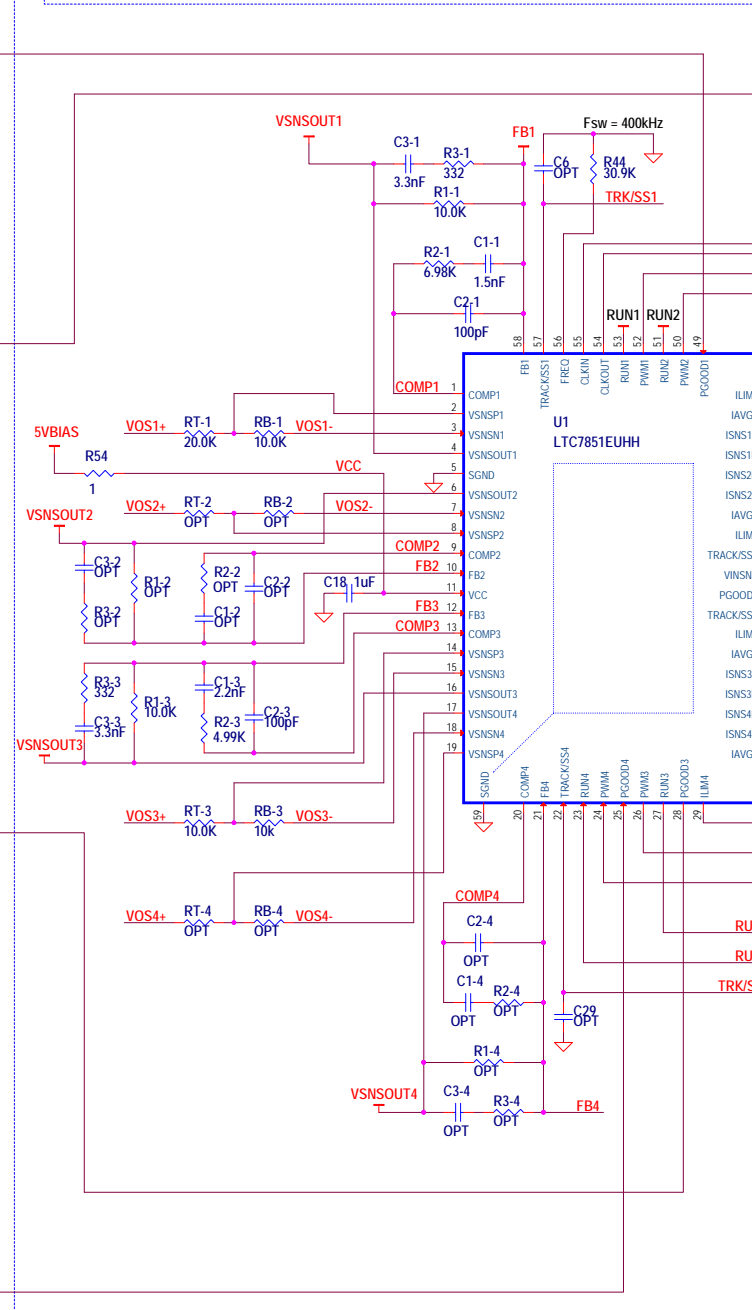
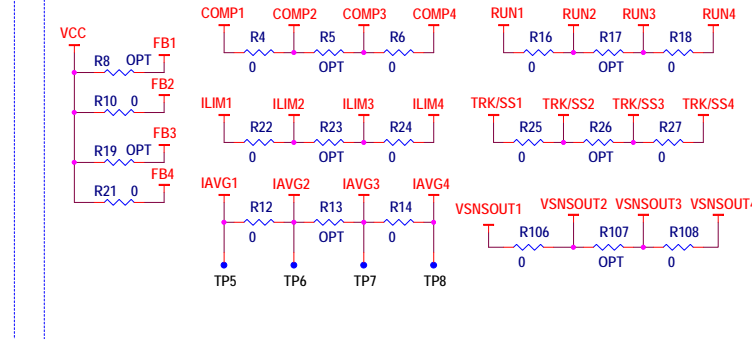


REVISION HISTORY				
ECO	REV	DESCRIPTION	APPROVED	DATE
-	2	PRODUCTION	Mike S.	10-21-15

Place these components on edge of board

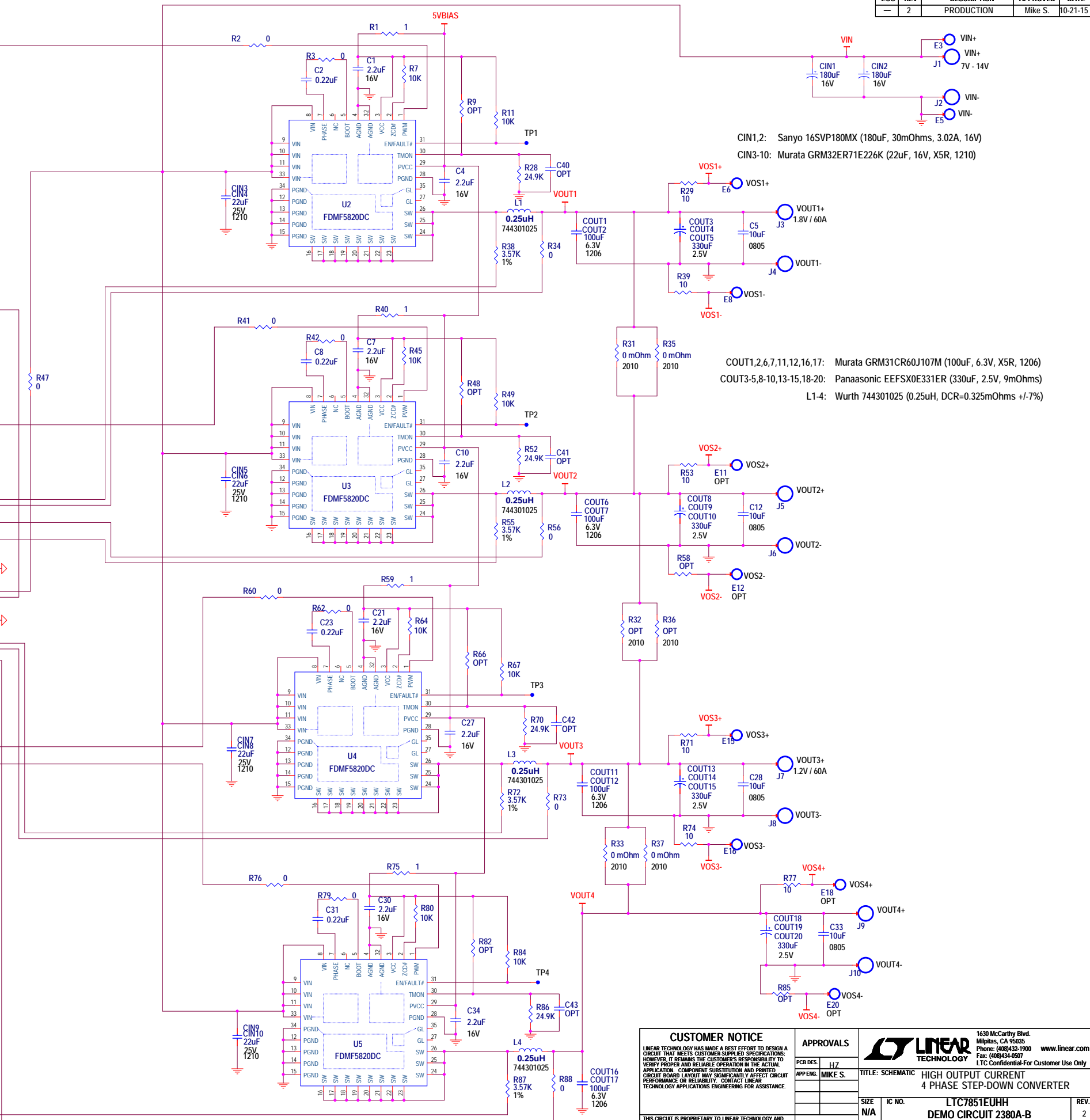
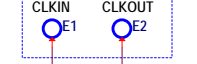


Components to parallel two or more phases



	VOUT1	VOUT2	VOUT3	VOUT4
-A	1.8V/30A	1.5V/30A	1.2V/30A	1.0V/30A
-B	1.8V/60A		1.2V/60A	
-C	1.2V/120A			

Place on edge of board

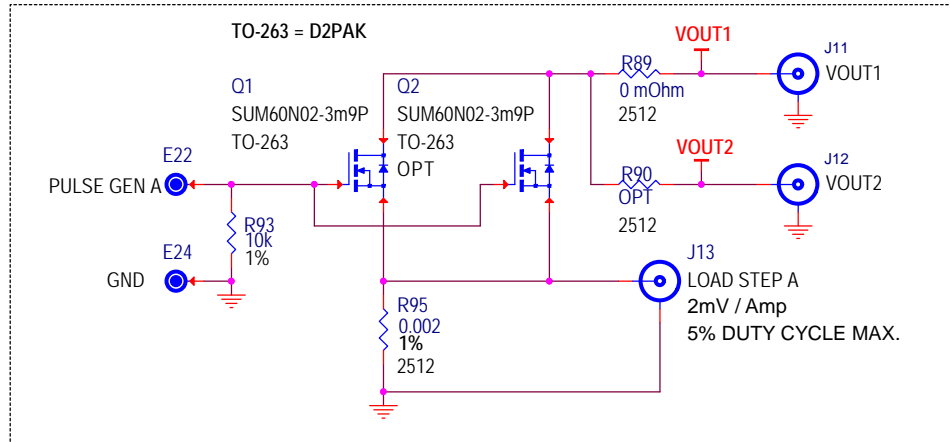


CIN1,2: Sanyo 16SVP180MX (180uF, 30mOhms, 3.02A, 16V)
CIN3-10: Murata GRM32ER71E226K (22uF, 16V, X5R, 1210)

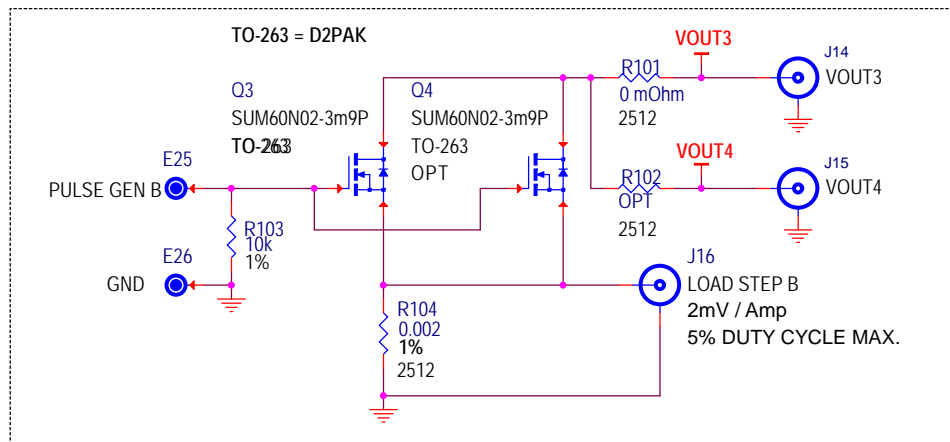
COUT1,2,6,7,11,12,16,17: Murata GRM31CR60J107M (100uF, 6.3V, X5R, 1206)
COUT3-5,8-10,13-15,18-20: Panasonic EEF5X0E331ER (330uF, 2.5V, 9mOhms)
L1-4: Würth 744301025 (0.25uH, DCR=0.325mOhms +/-7%)

CUSTOMER NOTICE LINEAR TECHNOLOGY HAS MADE A BEST EFFORT TO DESIGN A CIRCUIT THAT MEETS CUSTOMER-SUPPLIED SPECIFICATIONS. HOWEVER, IT REMAINS THE CUSTOMER'S RESPONSIBILITY TO VERIFY PROPER AND RELIABLE OPERATION IN THE ACTUAL APPLICATION. COMPONENT SUBSTITUTION AND PRINTED CIRCUIT BOARD LAYOUT MAY SIGNIFICANTLY AFFECT CIRCUIT PERFORMANCE OR RELIABILITY. CONTACT LINEAR TECHNOLOGY APPLICATIONS ENGINEERING FOR ASSISTANCE.		APPROVALS PCB DES: HZ APP ENG: MIKE S.	
TITLE: SCHEMATIC HIGH OUTPUT CURRENT 4 PHASE STEP-DOWN CONVERTER		SIZE: N/A	IC NO.: LTC7851EUHH
DATE: Wednesday, January 27, 2016		SCALE: NONE	REV: 2
THIS CIRCUIT IS PROPRIETARY TO LINEAR TECHNOLOGY AND SUPPLIED FOR USE WITH LINEAR TECHNOLOGY PARTS.		SHEET 1 OF 2	

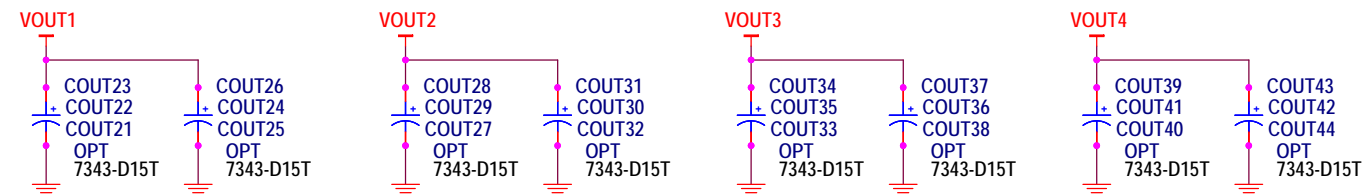
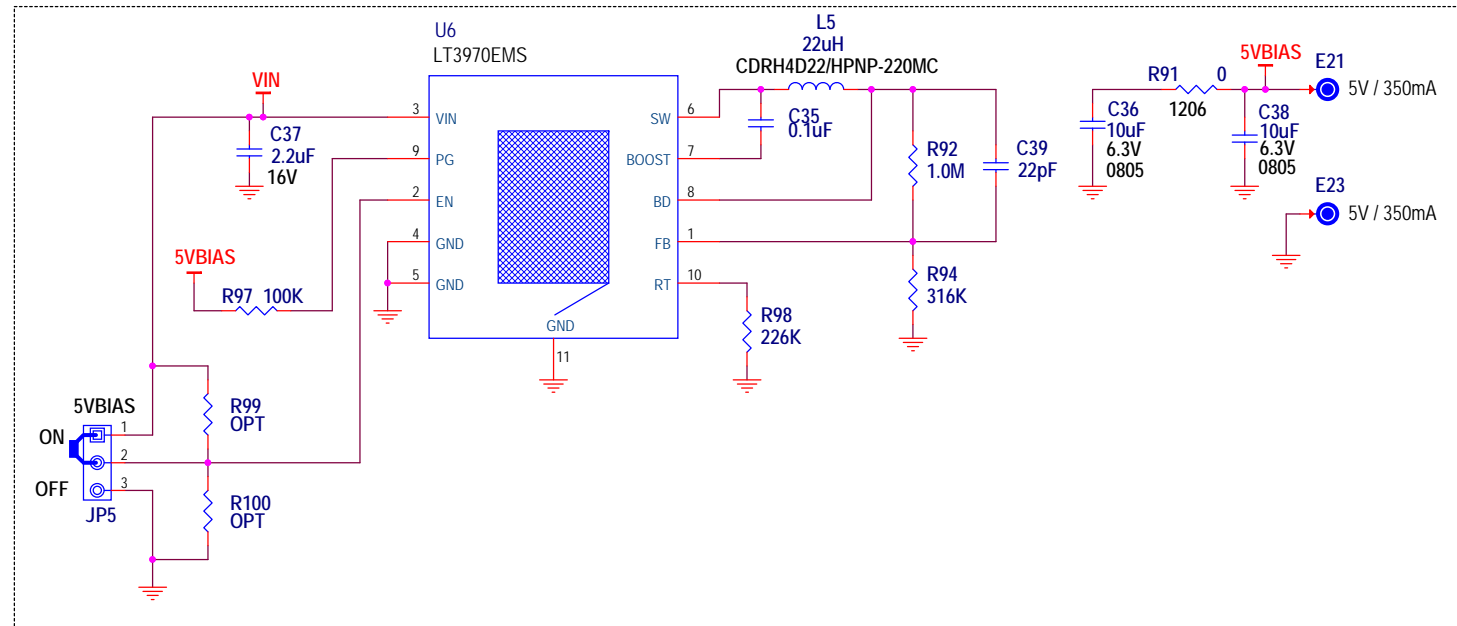
DYNAMIC LOAD CIRCUIT FOR VOUT1 AND VOUT2



DYNAMIC LOAD CIRCUIT FOR VOUT3 AND VOUT4



BIAS SUPPLY FOR DrMOS and LTC7851



CUSTOMER NOTICE		APPROVALS		LINEAR TECHNOLOGY		
LINEAR TECHNOLOGY HAS MADE A BEST EFFORT TO DESIGN A CIRCUIT THAT MEETS CUSTOMER-SUPPLIED SPECIFICATIONS. HOWEVER, IT REMAINS THE CUSTOMER'S RESPONSIBILITY TO VERIFY PROPER AND RELIABLE OPERATION IN THE ACTUAL APPLICATION. COMPONENT SUBSTITUTION AND PRINTED CIRCUIT BOARD LAYOUT MAY SIGNIFICANTLY AFFECT CIRCUIT PERFORMANCE OR RELIABILITY. CONTACT LINEAR TECHNOLOGY APPLICATIONS ENGINEERING FOR ASSISTANCE.		PCB DES.	HZ	1630 McCarthy Blvd. Milpitas, CA 95035 Phone: (408)432-1900 www.linear.com Fax: (408)434-0507 LTC Confidential-For Customer Use Only		
		APP ENG.	MIKE S.			
		TITLE: SCHEMATIC HIGH OUTPUT CURRENT 4 PHASE STEP-DOWN CONVERTER		SIZE	IC NO.	REV.
		THIS CIRCUIT IS PROPRIETARY TO LINEAR TECHNOLOGY AND SUPPLIED FOR USE WITH LINEAR TECHNOLOGY PARTS.		N/A	LTC7851EUHH DEMO CIRCUIT 2380A-B	2
SCALE = NONE		DATE:	Tuesday, January 19, 2016	SHEET 2 OF 2		