

# Type ANR Automotive Blade Fuse Standard



www.optifuse.com (619) 593-5050

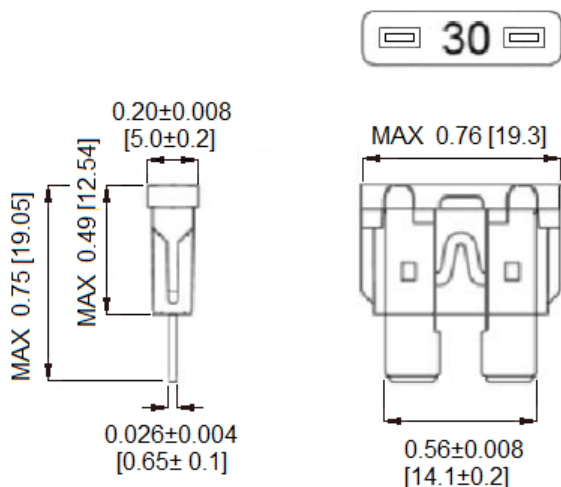
## Specifications:

- Voltage: 32VDC
- Amperage: 3A, 4A, 5A, 7.5A, 10A, 12A, 15A, 20A, 25A, 30A, 35A, 40A
- Body: PA 66
- Terminals: Zinc alloy
- Designed to meet SAE and ISO 8820 Standards.
- Interrupt Rating – 1000A @ 32 VDC
- Operating Temperature: -40°C ~ +105°C

Part Number	Amperage	Body Color
ANR-3A	3A	Violet
ANR-4A	4A	Pink
ANR-5A	5A	Tan
ANR-7.5A	7.5A	Brown
ANR-10A	10A	Red
ANR-12A	12A	Light Red
ANR-15A	15A	Blue
ANR-20A	20A	Yellow
ANR-25A	25A	Clear
ANR-30A	30A	Green
ANR-35A	35A	Blue Green
ANR-40A	40A	Orange

Time Characteristics:		
% of Rated Current	Min Hold Time	Max Hold Time
110%	100h	~
135%	~	1800s
200%	~	5s

## Mechanical Dimensions: Inches [mm]



## Warning:



-Operation beyond the specified maximum ratings or improper use may result in damage and possible electrical arcing and/or flame.

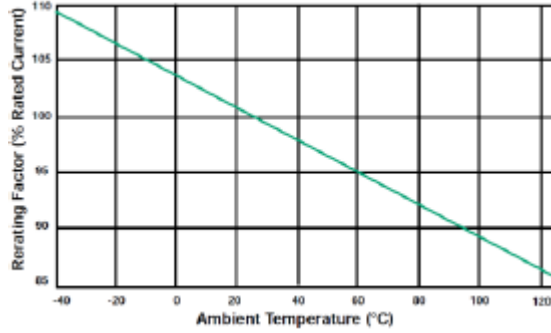
-Avoid contact of device with chemical solvent. Prolonged contact will damage the device performance.

# Type ANR Automotive Blade Fuse Standard



www.optifuse.com (619) 593-5050

## Temperature Rating Curve



## Time Current Curve

