



**Electrical Specifications**

**Center Frequency:** 1565 MHz  
**Bandwidth:** Fo ± 50 MHz  
**Pass Band:** 1515-1615 MHz  
**Insertion Loss:** 3.0 dB Max  
**VSWR:** 2.0:1 Max  
**In/Out Impedance:** 50 Ω  
**Power Handling:** 1 W

**Mechanical**

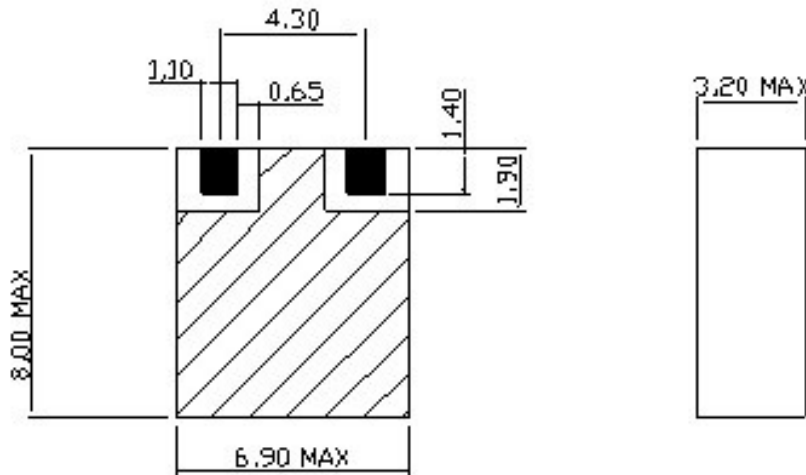
**Mounting Method:** Surface Mount  
**Dimensions:** 8.0 x 6.90 x 3.20 mm

**Environmental**

**Operating Temperature:** -20 to +85° C  
**Storage Temperature:** -30 to +95° C  
**Shock:** 20 G. 11 ms  
**Vibration:** 20 G. 5 to 200 MHz

This product is RoHS complaint.

**Outline Drawing:**



■ : I / O PORT

▨ : GROUND

1. Unit : mm
2. Tolerance : unless otherwise specified are ± 0. 20