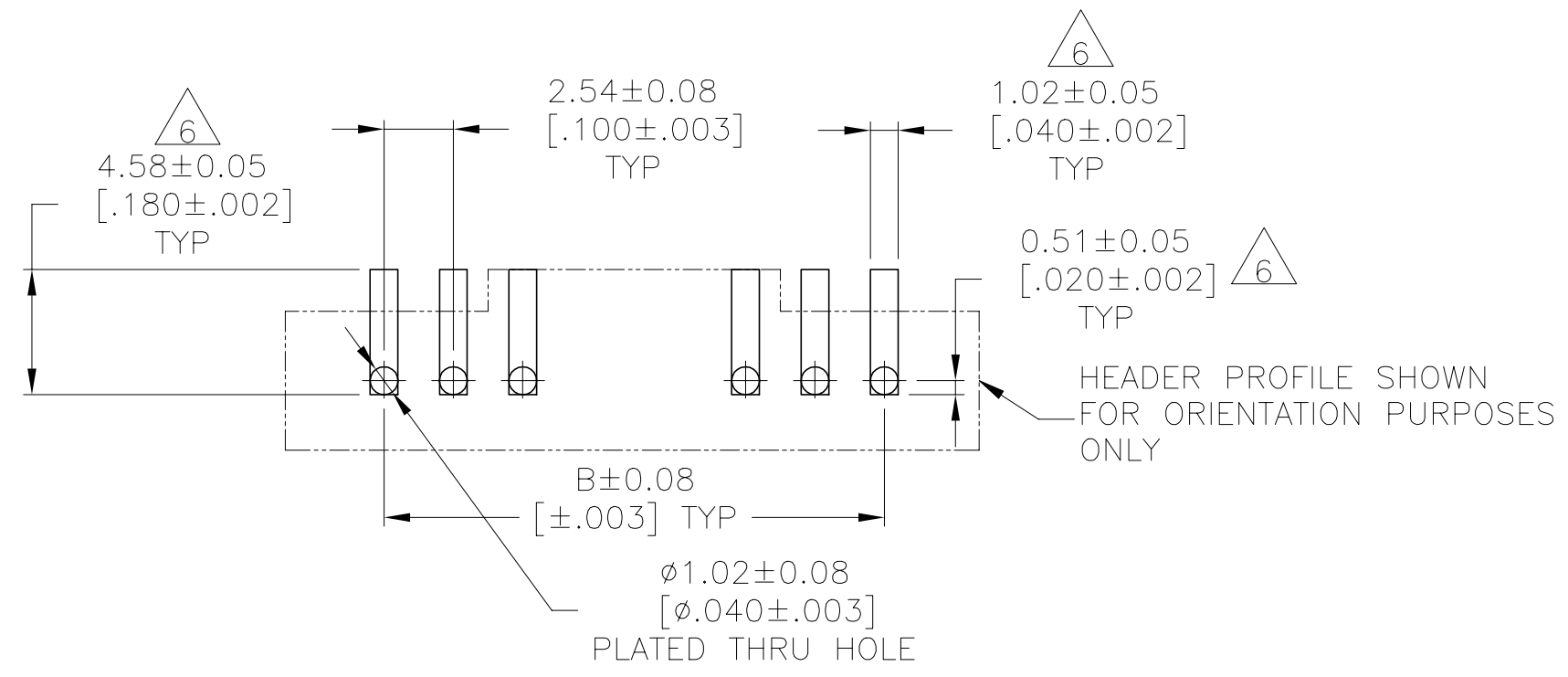
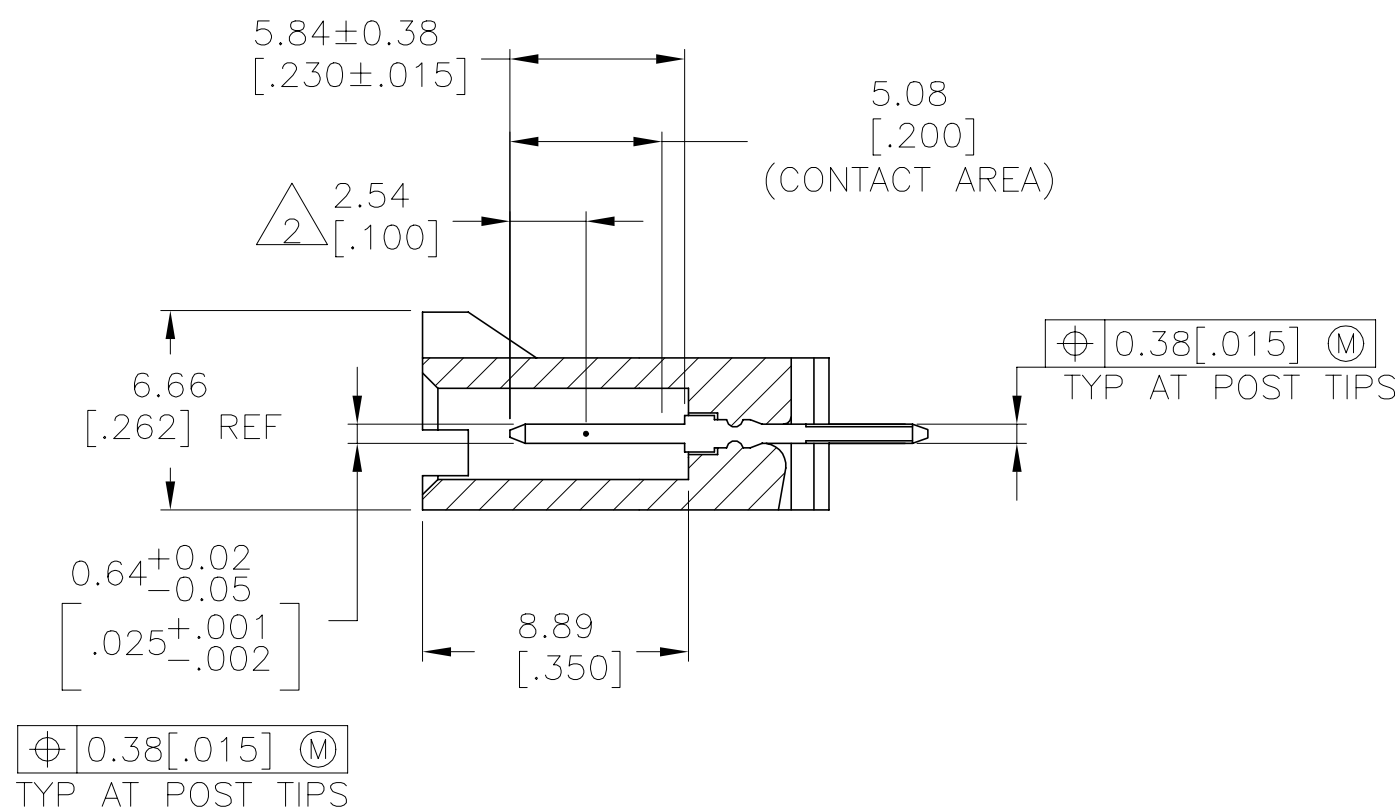
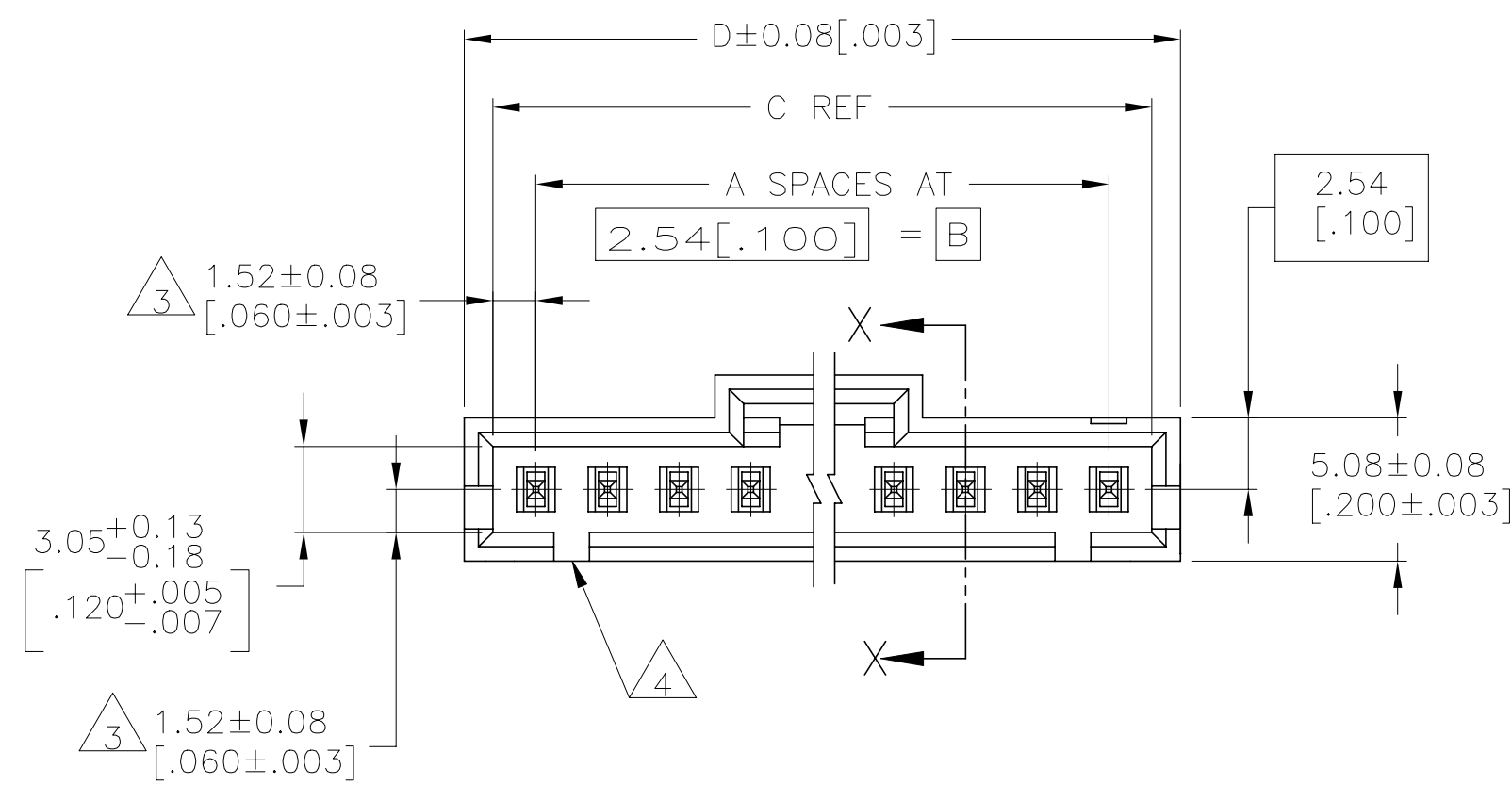
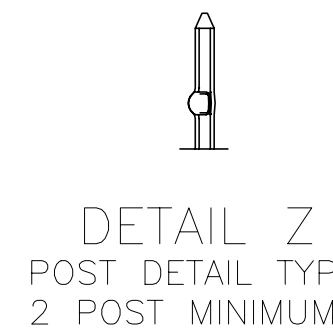
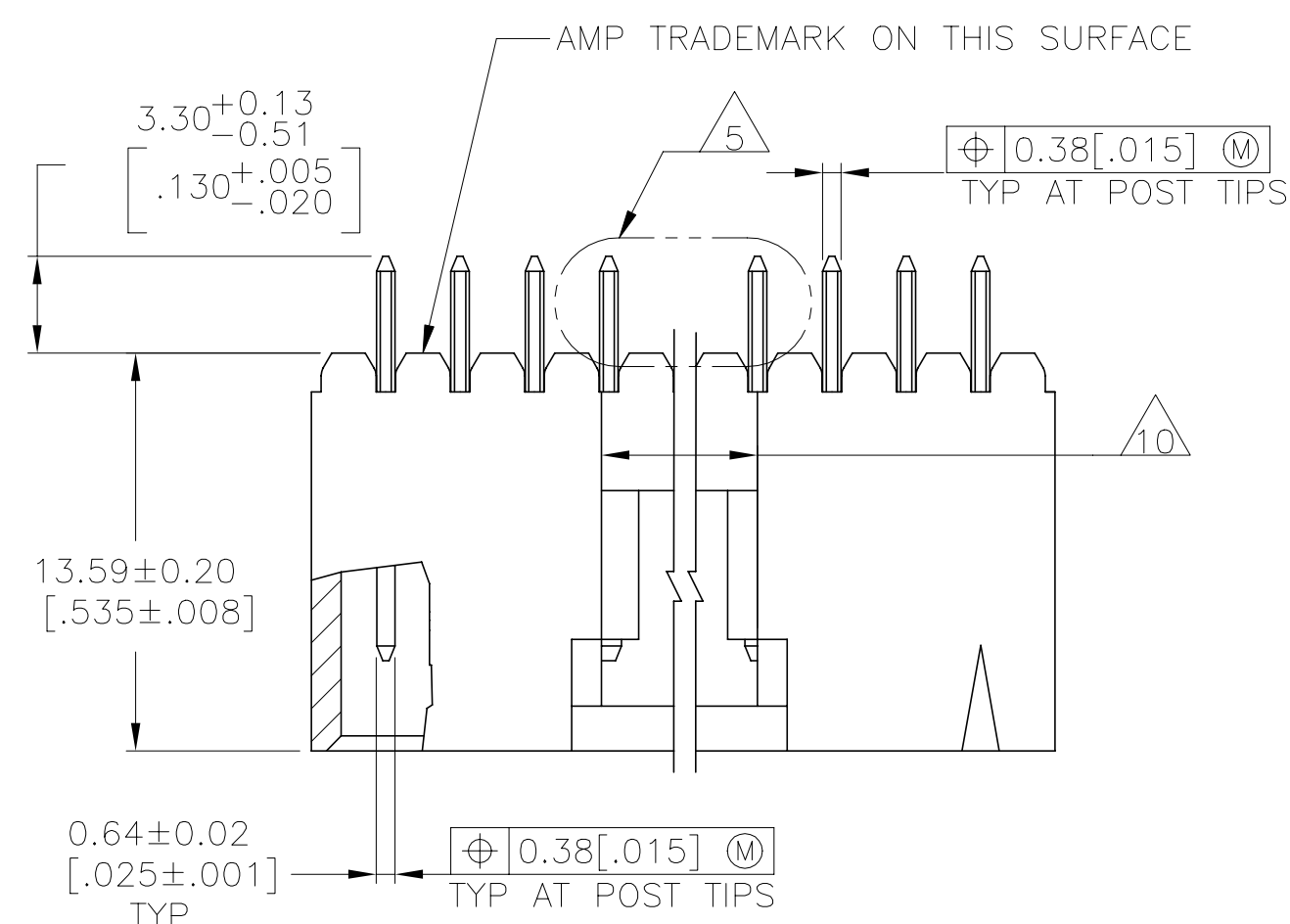


REVISIONS					
P	LTR	DESCRIPTION	DATE	DRN	APVD
H		REVISED PER ECO-20-00132	05JUN2020	SB	JO



RECOMMENDED PC BOARD MOUNTING DIMENSIONS
RECOMMENDED STENCIL THICKNESS = 0.25 [.010]

- 1 0.00038[.000015] GOLD IN THE CONTACT AREA, 0.00254-0.00508[.000100-.000200] MATTE TIN-LEAD ON THE SOLDER TAIL, ALL OVER 0.00127[.000050] NICKEL
- 2 POINT OF MEASUREMENT FOR PLATING THICKNESS
- 3 THE NOTED DIMENSIONS APPLY FROM THE BASIC DIMENSION LINE (NOT THE POST CENTERLINE) TO THE SURFACE INDICATED
- 4 ONE POLARIZATION SLOT FOR 2 POSITION ASSEMBLY ONLY.
- 5 HOLD DOWN UNTIL SOLDERED, CONFIGURATION ACCEPTS 0.69-2.03[.027-.080] THICK PRINTED CIRCUIT BOARD (SEE DETAIL Z)
- 6 DIMENSIONS NOTED ARE FOR SOLDER STENCIL LAYOUT FOR USE WITH 1.57±0.20[.062±.008] THICK PRINTED CIRCUIT BOARDS.
- 7 PARTS ARE PACKAGED IN GANG OF TUBES
- 8 0.00038[.000015] GOLD IN THE CONTACT AREA, 0.00254-0.00508[.000100-.000200] MATTE TIN ON THE SOLDER TAIL, ALL OVER 0.00127[.000050] NICKEL
- 9 OBSOLETE PARTS: OBSOLETE CIS STREAMLINING PER D.RENAUD/D.SINISI
- 10 0.25 [.010] RECESS PERMISSIBLE IN THIS AREA FOR MOLD SHUT OFF

8	65.91	64.01	60.96	24	25	7-104909-4
8	[2.595]	[2.520]	[2.400]			
8	63.37	61.47	58.42	23	24	7-104909-3
8	[2.495]	[2.420]	[2.300]			
8	60.83	58.93	55.88	22	23	7-104909-2
8	[2.395]	[2.320]	[2.200]			
8	58.29	56.39	53.34	21	22	7-104909-1
8	[2.295]	[2.220]	[2.100]			
8	55.75	53.85	50.80	20	21	7-104909-0
8	[2.195]	[2.120]	[2.000]			
8	53.21	51.31	48.26	19	20	6-104909-9
8	[2.095]	[2.020]	[1.900]			
8	50.67	48.77	45.72	18	19	6-104909-8
8	[1.995]	[1.920]	[1.800]			
8	48.13	46.23	43.18	17	18	6-104909-7
8	[1.895]	[1.820]	[1.700]			
8	45.59	43.69	40.64	16	17	6-104909-6
8	[1.795]	[1.720]	[1.600]			
8	43.05	41.15	38.1	15	16	6-104909-5
8	[1.695]	[1.620]	[1.500]			
8	40.51	38.61	35.56	14	15	6-104909-4
8	[1.595]	[1.520]	[1.400]			
8	37.97	36.07	33.02	13	14	6-104909-3
8	[1.495]	[1.420]	[1.300]			
8	35.43	33.53	30.48	12	13	6-104909-2
8	[1.395]	[1.320]	[1.200]			
9	65.91	64.01	60.96	24	25	2-104909-4
9	[2.595]	[2.520]	[2.400]			
9	63.37	61.47	58.42	23	24	2-104909-3
9	[2.495]	[2.420]	[2.300]			
9	60.83	58.93	55.88	22	23	2-104909-2
9	[2.395]	[2.320]	[2.200]			
9	58.29	56.39	53.34	21	22	2-104909-1
9	[2.295]	[2.220]	[2.100]			
9	55.75	53.85	50.80	20	21	2-104909-0
9	[2.195]	[2.120]	[2.000]			
9	53.21	51.31	48.26	19	20	1-104909-9
9	[2.095]	[2.020]	[1.900]			
9	50.67	48.77	45.72	18	19	1-104909-8
9	[1.995]	[1.920]	[1.800]			
9	48.13	46.23	43.18	17	18	1-104909-7
9	[1.895]	[1.820]	[1.700]			
9	45.59	43.69	40.64	16	17	1-104909-6
9	[1.795]	[1.720]	[1.600]			
9	43.05	41.15	38.1	15	16	1-104909-5
9	[1.695]	[1.620]	[1.500]			
9	40.51	38.61	35.56	14	15	1-104909-4
9	[1.595]	[1.520]	[1.400]			
9	37.97	36.07	33.02	13	14	1-104909-3
9	[1.495]	[1.420]	[1.300]			
9	35.43	33.53	30.48	12	13	1-104909-2
9	[1.395]	[1.320]	[1.200]			
PLATING	D	C	B	A	NO. OF POSN	PART NUMBER

THIS DRAWING IS A CONTROLLED DOCUMENT.

DRN E. BRANDBERG 13-10-94
DW J. GESFORD 13-10-94
APVD D. DUPLER 13-10-94

TE Connectivity

STE

PRODUCT SPEC: HEADER ASSY, AMPMODU MTE, VERTICAL SINGLE ROW, 2.54[.100] C/L, 0.64[.025] SQ POSTS, POLARIZED, WITH LATCHING & HOLD DOWN, HIGH TEMP

APPLICATION SPEC: SIZE CAGE CODE DRAWING NO. RESTRICTED TO: A1 00779 C=104909

MATERIAL: HOUSE: LCP COLOR: BLACK POSTS: BRASS FINISH: SEE TABLE WEIGHT: - SCALE: 4:1 SHEET 1 OF 1 REV H

CUSTOMER DRAWING