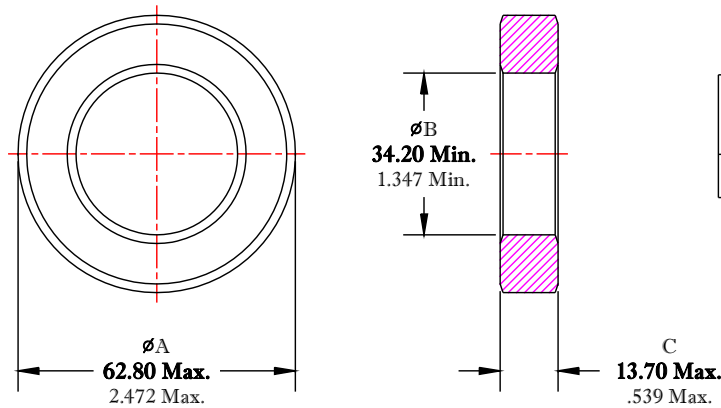


** Not all features are shown in this drawing. For more detailed information, please contact your Fair-Rite representative.

UNCONTROLLED ~CATALOG~ DRAWING

SIZE	PART NO.	REV.
B	5978003821	~



AFTER COATING

DIMENSIONS
BOLD NUMBERS ARE IN MILLIMETERS
 LIGHT NUMBERS ARE IN INCHES

ELECTRICAL SPECIFICATIONS						
$\Sigma l/A(\text{mm}^{-1})$	l_e (mm)	A_e (mm ²)	V_e (mm ²)	L_o (nH)	AL (nH) @10kHz <10gauss	$\tan \delta/\mu_i$ @100kHz <1gauss
0.91786	145	157	22751	1.369	3155 ^{+25%} / _{-30%}	$\leq 15 \times 10^{-6}$

NOTES:

- 1 - THIS PART TO BE THERMOSET PLASTIC COATED. USE APPROVED FR# 5978003801.
- 2 - COATED TOROID TO WITHSTAND A MINIMUM BREAKDOWN VOLTAGE OF 1000 Vrms, WHEN UNIFORMLY APPLIED ACROSS THE "C" DIMENSION.
- 3 - COATING THICKNESS = 0.25mm [.010"] MAX.

FR# 78

FAIR-RITE PRODUCTS CORP.						
TITLE COATED TOROID						
DRAWN BY J.SERENCISCS	DATE 07-17-2018	SIZE	PART NO.	REV.		
CHKD BY		B	5978003821	~		
APPRVD BY		SCALE	NONE	SHEET	1	of 1