

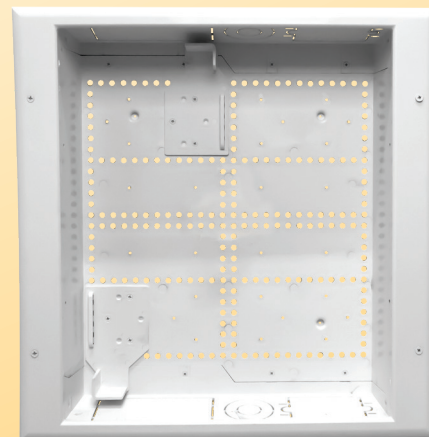
Connected Media Box

DataComm Electronics' Connected Media Box allows you to hide large power sources like the Samsung One Connect Box behind your TV. With the ability to add power solutions to this box you can give your TV the wireless look you want.

Features

Part # 45-8017-1

- Mounting brackets included to securely hold the One Connect Box or other TV power sources
- 2 (two) 18" hook and loop fasteners included to strap power source firmly to brackets
- Two large knockouts to allow access to USB ports
- Multiple knockouts for conduit up to 2" diameter
- Includes knockouts for a single gang J-Box power module
- Standard 1" x 6" hole pattern
- Can be mounted to front or inside of studs
- Flush with the wall
- Open trim ring to allow air flow



Part # 45-8011-1P – with 15 Amp/125 Volt Duplex Receptacle

- UL Listed, 15 Amp/125 Volt Duplex Receptacle
- Outlet box included

Part # 45-8021-1S – with Duplex Surge Suppressor

- UL Listed 15 Amp/125 Volt Duplex Surge Receptacle
- Maximum surge current - 15,000 amps
- Clamping response time - 1 nanosecond
- Hot/Neutral, Hot/Ground, Neutral/Ground
- Total maximum surge dissipation - 480 joules
- Outlet box included

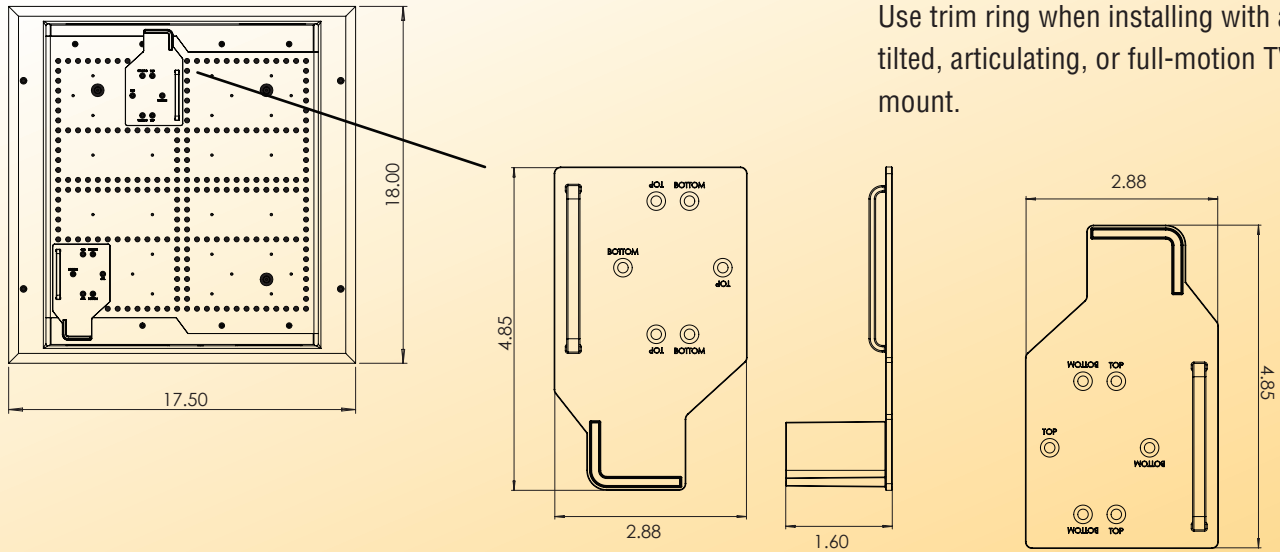


Part # 45-8031-1C – with Commercial Grade Duplex Receptacle

- UL Listed 20 Amp/125 Volt Duplex Receptacle
- 2 pole
- 3W
- Rear connection with side screw terminals
- Tamper resistant
- Metal outlet box included

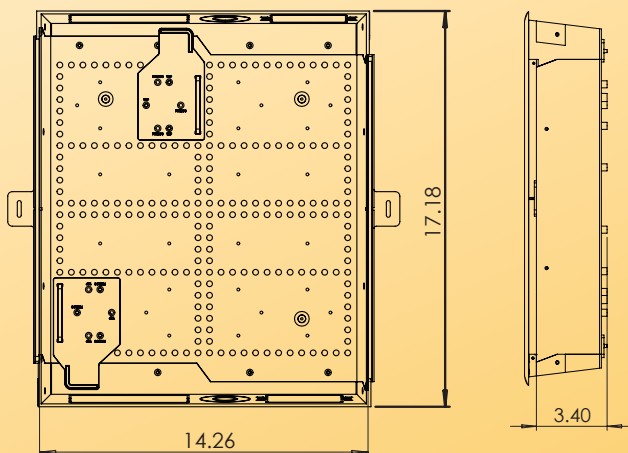
Part Number	Description
45-8017-1	Connected Media Box without power
45-8011-1P	Connected Media Box with 15A/125V Duplex Receptacle
45-8021-1S	Connected Media Box with 15A/125V Duplex Surge Suppressor
45-8031-1C	Connected Media Box with 20A/125V Duplex Receptacle

Connected Media Box with Trim



Use trim ring when installing with a tilted, articulating, or full-motion TV mount.

Connected Media Box without Trim



Use without trim ring when installing the TV directly on the wall with a fixed TV mount.

Specifications

- Conforms to UL 2416 (Audio/Video, Information And Communication Technology Equipment Cabinet, Enclosure And Rack Systems)
- Material - UL Rated ABS Plastic
- Allows for two single gang JBoxes
- Open trim ring allows for air flow
- Mountable to the front or inside of studs
- Brackets and hook and loop strips for mounting power solutions