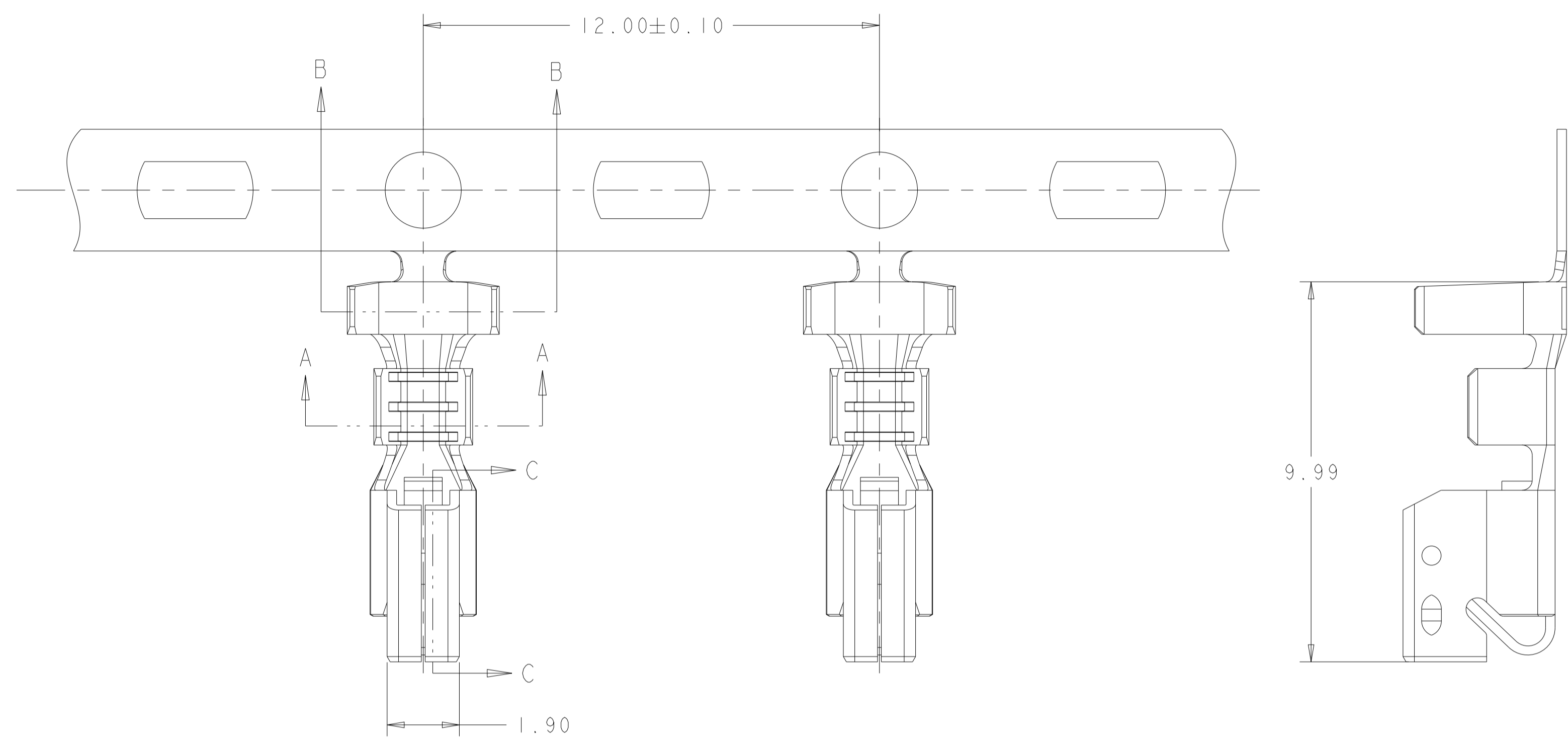
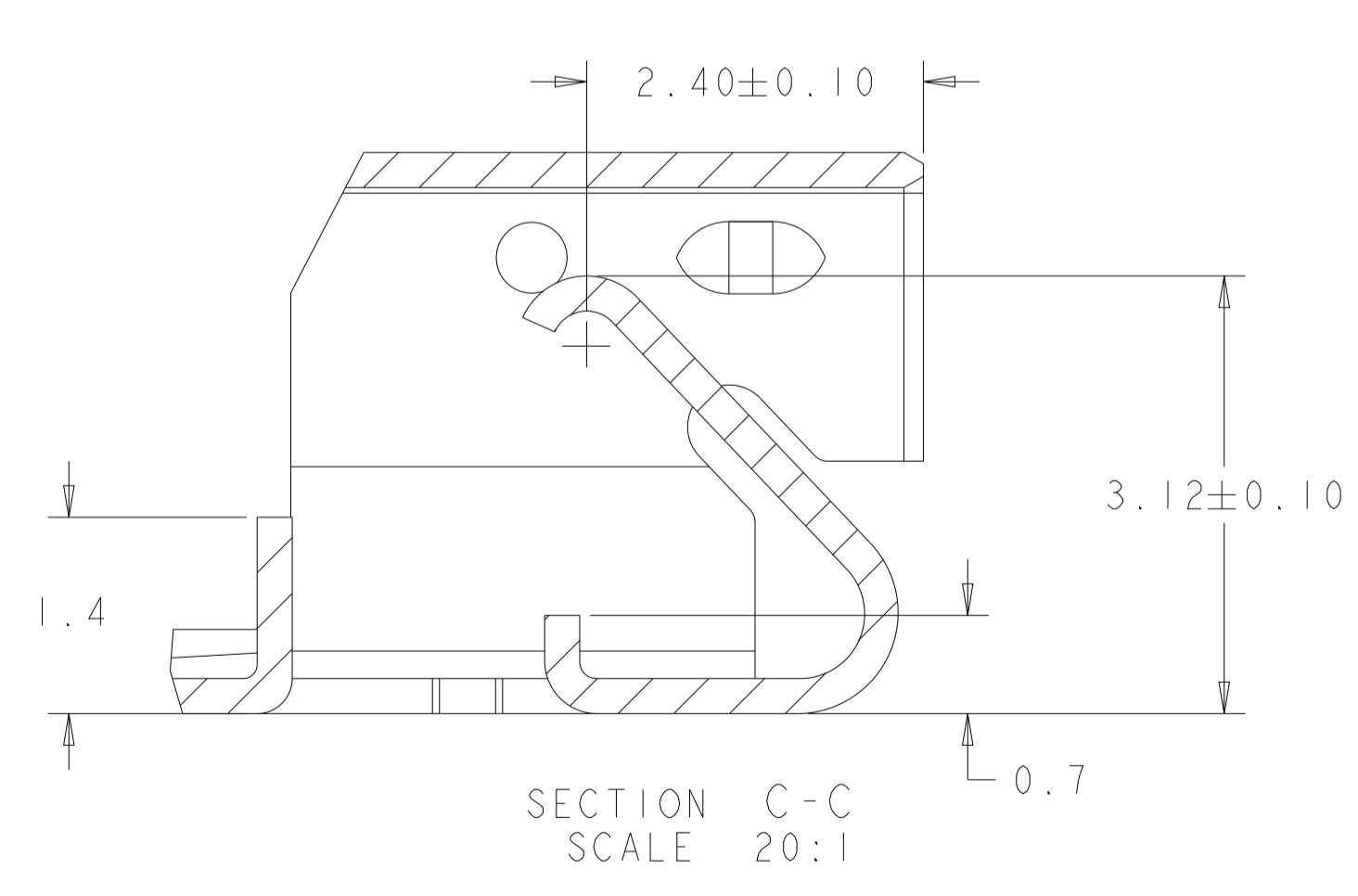
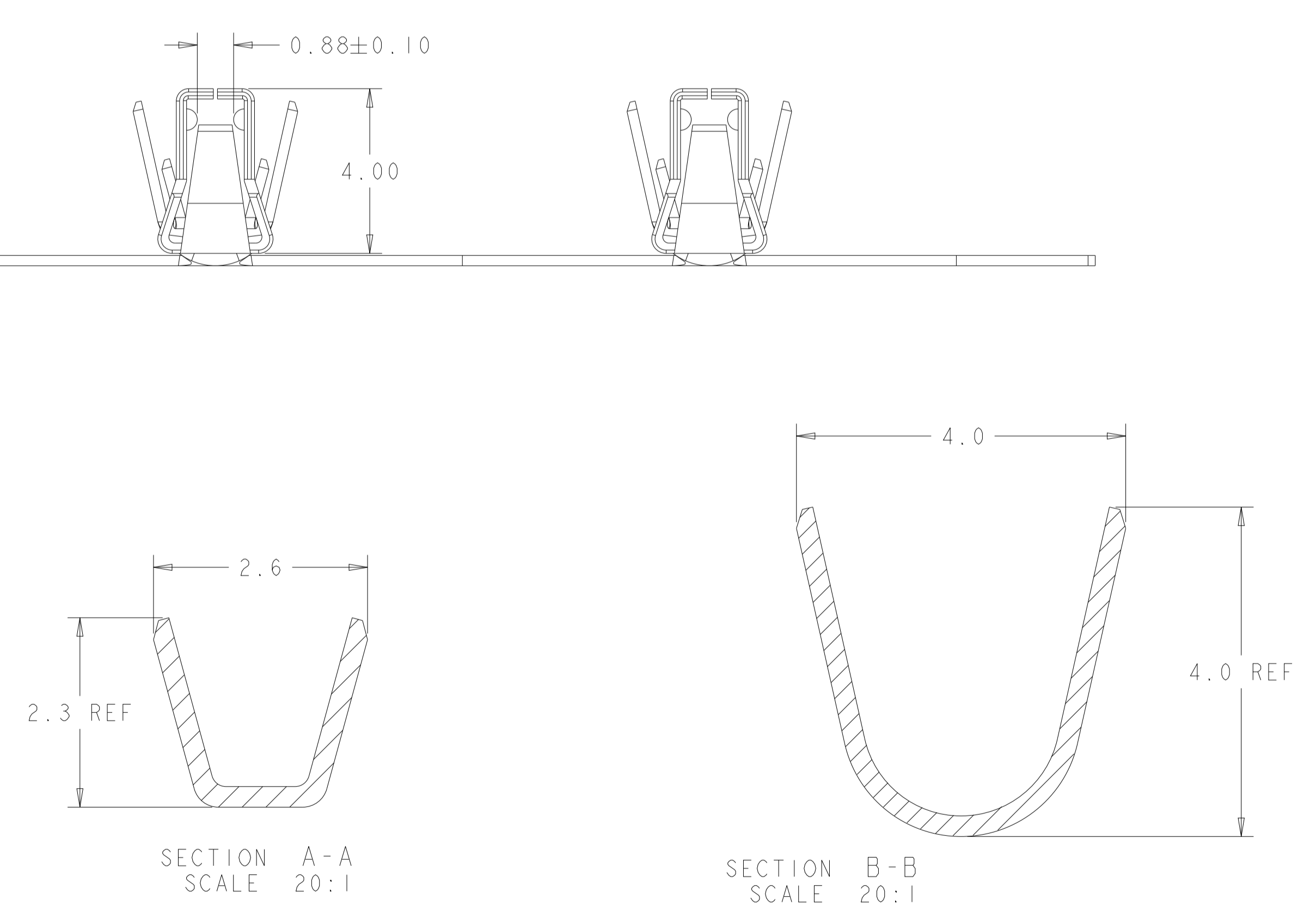
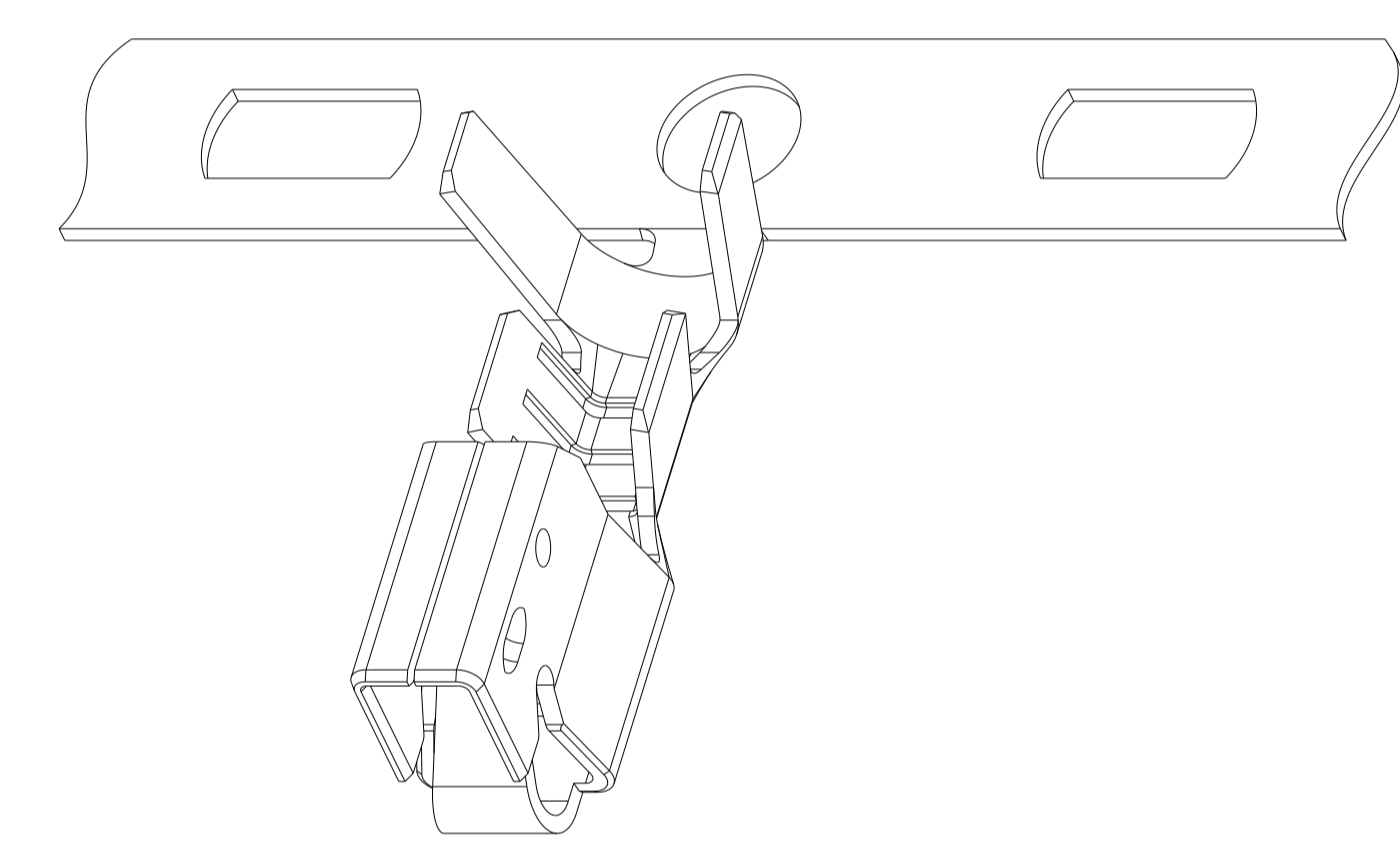


REVISIONS				
P	LTN	DESCRIPTION	DATE	APVD
A		REVISED PER ECN-21-111388	02AUG2021	W, H, D, Z



- ⚠ MATERIAL: PHOSPHOR BRONZE  
FINISH: PRE-TIN
- 2. RECOMMENDED MATING PARTS: [ ]-2371377-[ ] OR [ ]-2377130-[ ].
- ⚠ CONTACTS COATED WITH ANTI-FRETTING LUBRICANT.
- 4. PACKAGING: ON REEL
- 5. REFERENCE CRIMP INFORMATION:  
WIRE RANGE: 22-18 AWG [0.26-1.04MM<sup>2</sup>].  
WIRE INSULATION RANGE: 1.70-2.90MM DIA.
- ⚠ THIS PRODUCT HAS NOT COMPLETED VALIDATION TESTING



⚠	2377991-1
LUBRICANT	PART NUMBER

THIS DRAWING IS A CONTROLLED DOCUMENT.		DWN: H. HUO 01JUN2021	
DIMENSIONS: MM		CHK: D. ZHANG 03JUN2021	
TOLERANCES UNLESS OTHERWISE SPECIFIED:		APVD: D. ZHANG 03JUN2021	NAME: RECEPTACLE CONTACT, LANCE-LESS 18-22AWG, ECONOMY POWER II
0 PLC ±0.25 1 PLC ±0.20 2 PLC ±0.20 3 PLC ±0.20 4 PLC ±0.20 ANGLES ±3° FINISH		PRODUCT SPEC: 108-2297 APPLICATION SPEC: 114-13265 WEIGHT: -	
MATERIAL: ⚠		SIZE: A   00779   C=2377991 CUSTOMER DRAWING	RESTRICTED TO: - SCALE: N/A SHEET 1 OF 1 REV A