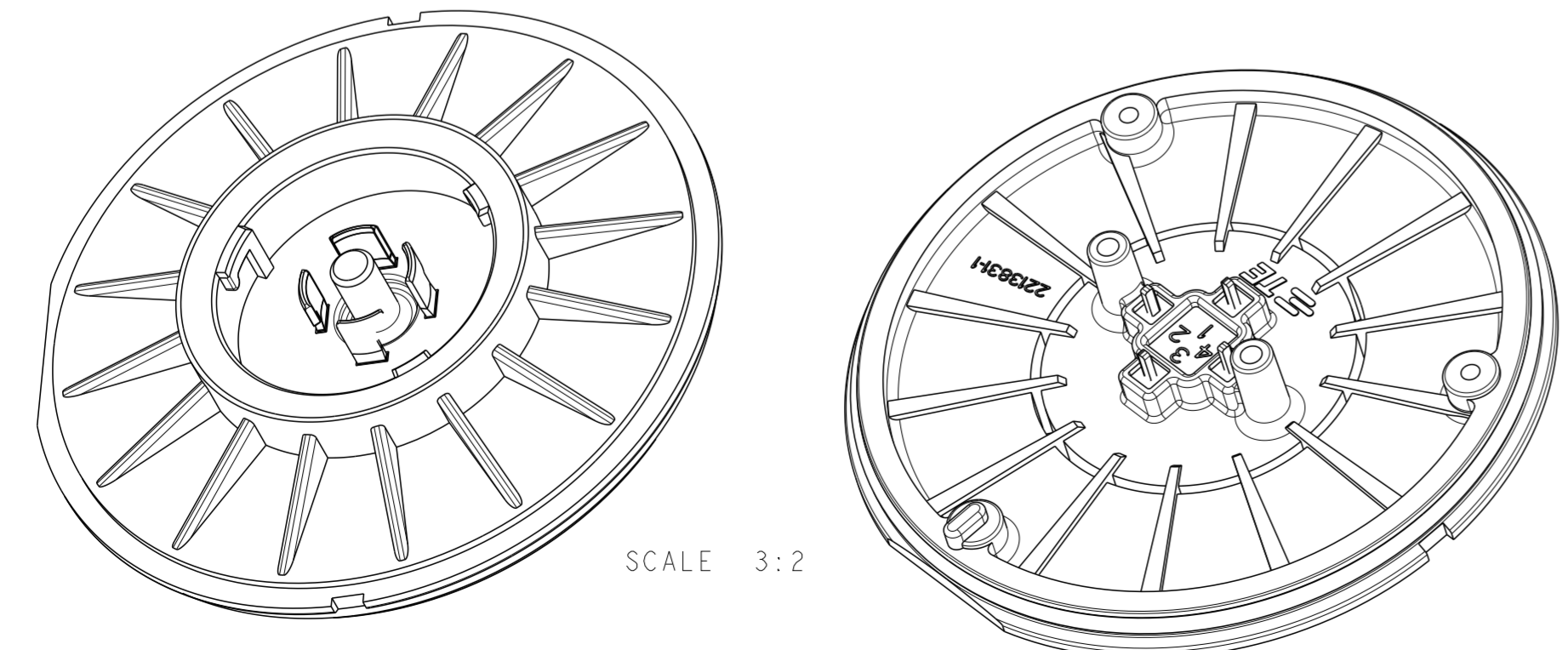
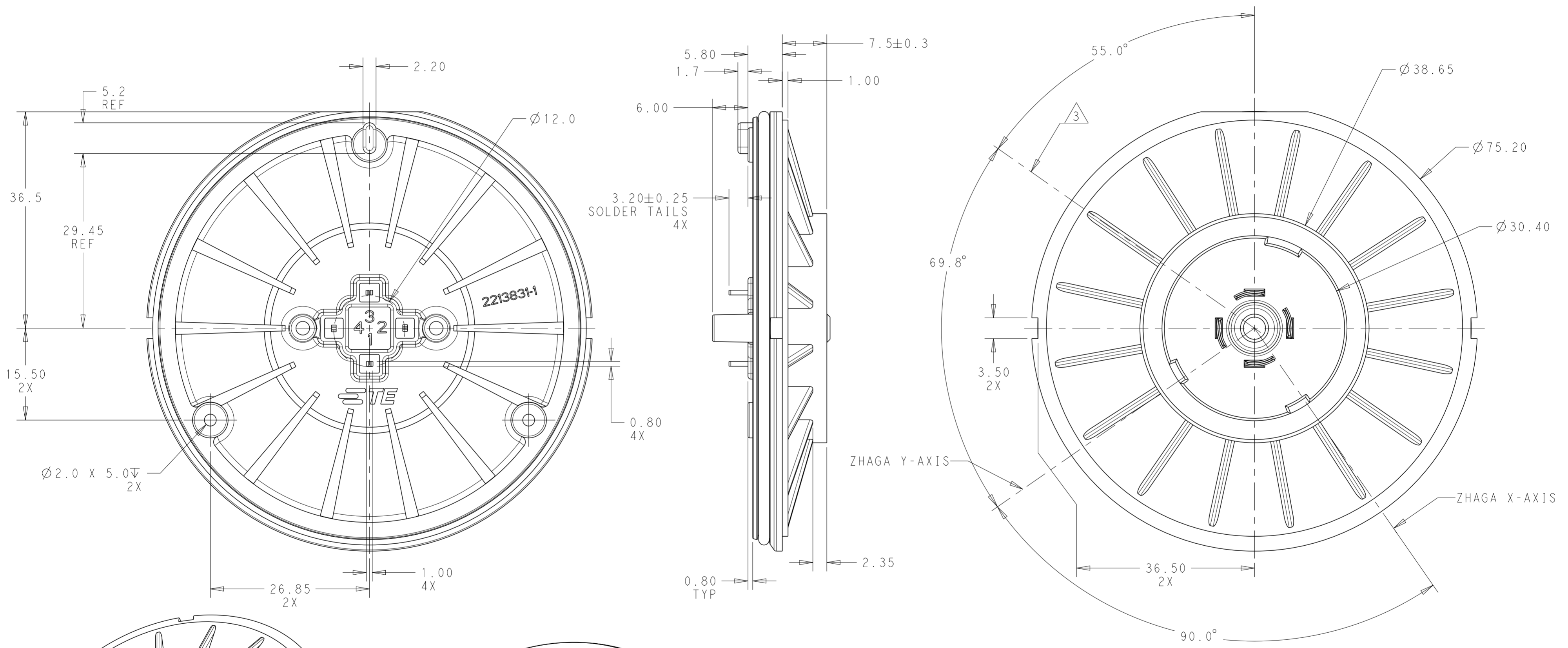


THIS DRAWING IS UNPUBLISHED. RELEASED FOR PUBLICATION 20
 © COPYRIGHT 20 BY - ALL RIGHTS RESERVED.

- NOTES:
- 1 MATERIALS AND FINISH:
 -MODULE HOUSING: PBT, COLOR: GREY
 -CONTACTS: BRASS, FINISH: Sn
 -O-RING: SILICON RUBBER
 2. MUST COMPLY WITH DIRECTIVE 2002/95/EC (ROHS)
 - 3 LOCATION OF FLAT ON RECEPTACLE (TE P/N 2213858-1)
 THREAD SECTION IN FULL MATED POSITION
 4. COMPATIBLE DOME IS 2328823-X.

REVISIONS				
P	LTR	DESCRIPTION	DATE	APVD
A		REVISED PER ECR-18-017023	05NOV2018	SR DD
A1		REVISED PER ECR-18-017999	22NOV2018	SR DD
A2		REVISED PER ECR-19-017457	12NOV2019	SB DD



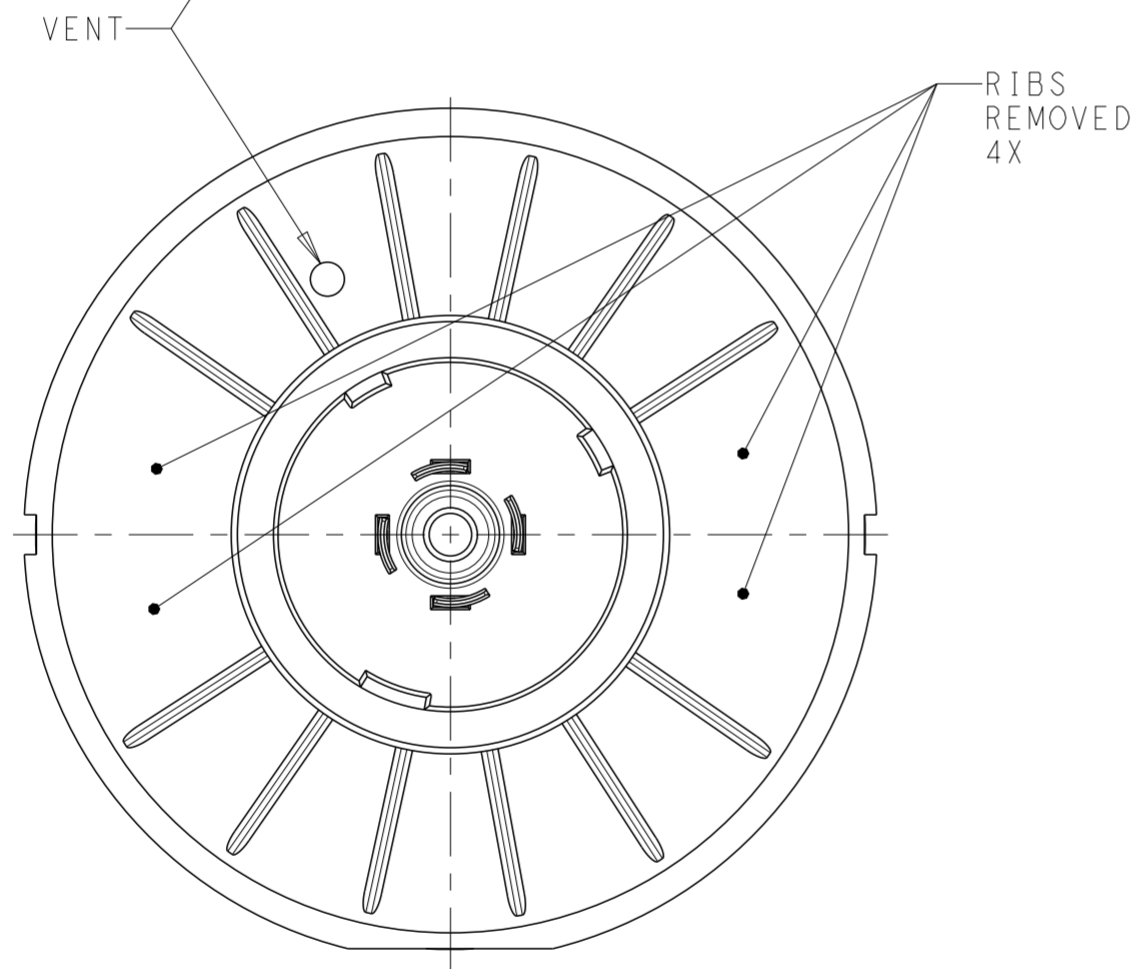
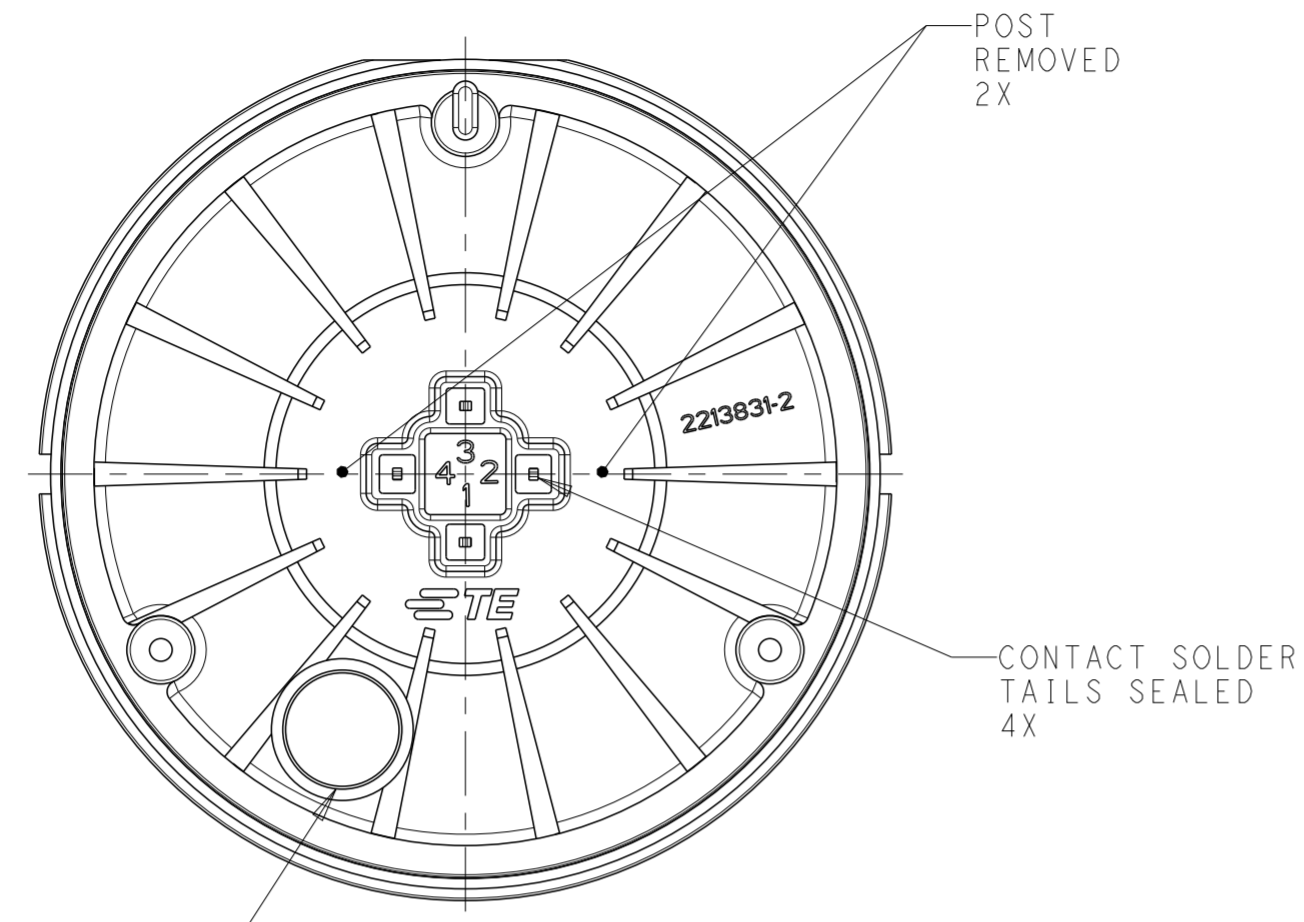
2213831-1 SHOWN

-	2213831-3
-	2213831-2
-	2213831-1
NOTES	PART NO.

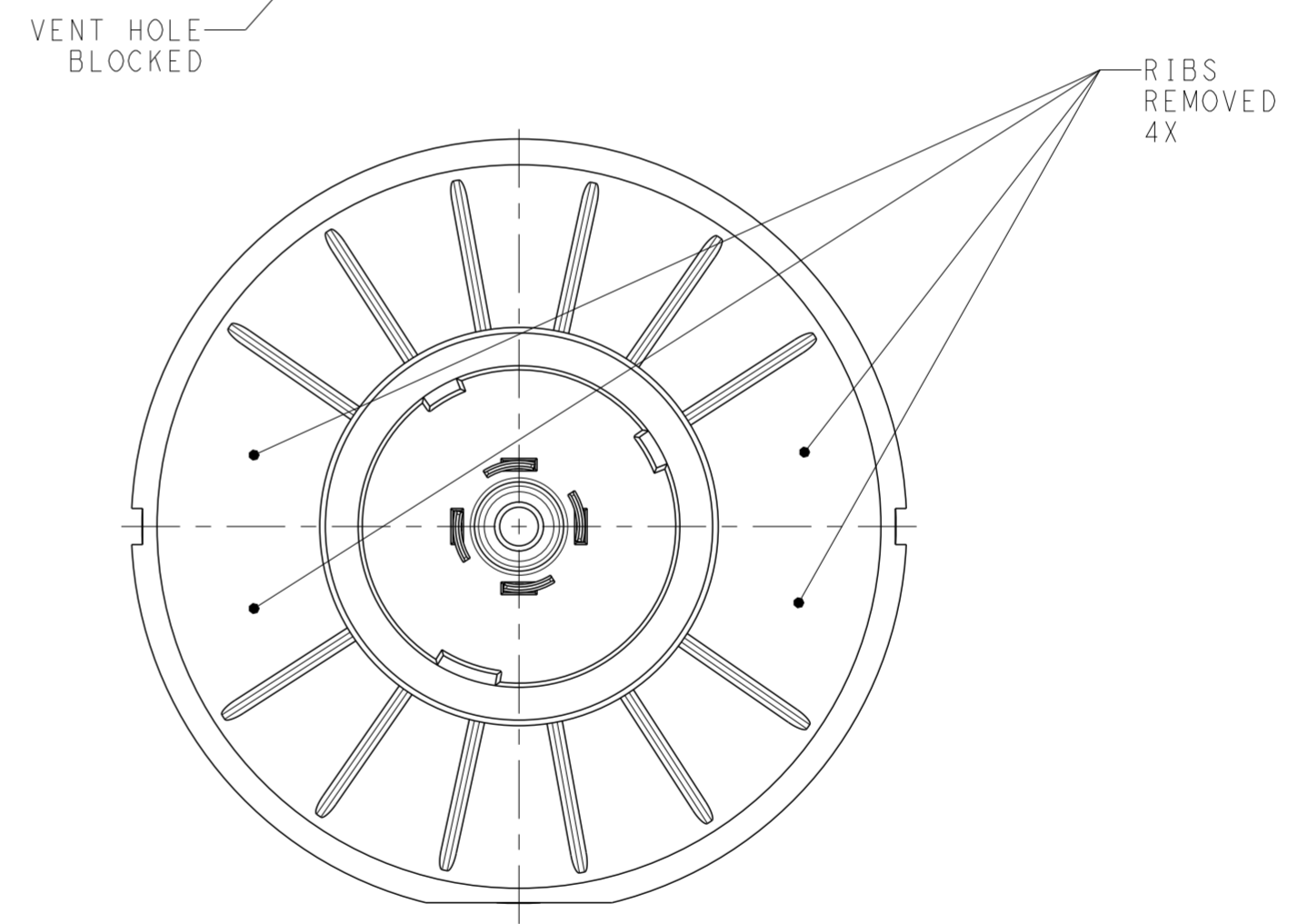
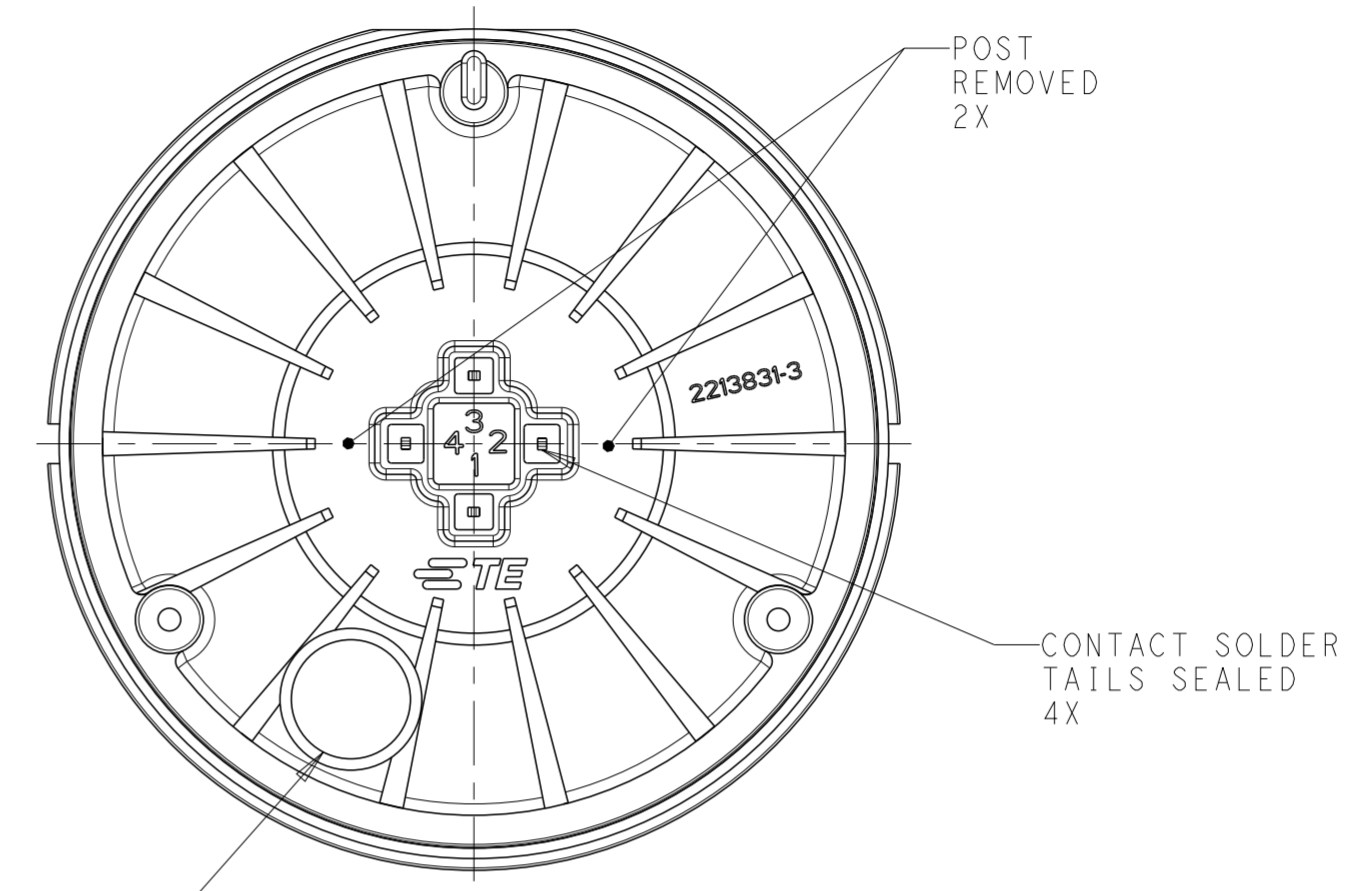
THIS DRAWING IS A CONTROLLED DOCUMENT.		DWN C. DAILY 05APR2016	TE Connectivity	
DIMENSIONS: mm		CHK E. HOWARD 05APR2016	NAME MODULE BASE ASSEMBLY, LUMAWISE ENDURANCE S 80mm DIAMETER	
TOLERANCES UNLESS OTHERWISE SPECIFIED:		APVD -	PRODUCT SPEC 108-133073	
0 PLC ±		APVD -	APPLICATION SPEC 114-133074	
1 PLC ±0.2		WEIGHT -	SIZE A2	CAGE CODE -
2 PLC ±0.15		CUSTOMER DRAWING	DRAWING NO. G-2213831	RESTRICTED TO -
3 PLC ±		SCALE 2:1	SHEET 1 OF 3	REV A2
4 PLC ±				
ANGLES ±1				
FINISH -				
SEE NOTES				

THIS DRAWING IS UNPUBLISHED. RELEASED FOR PUBLICATION 20
 © COPYRIGHT 20 BY - ALL RIGHTS RESERVED.

REVISIONS				
P	LTR	DESCRIPTION	DATE	APVD
-		SEE SHEET 1	-	-



2213831-2 SHOWN
 SAME AS
 2213831-1 EXCEPT AS SHOWN

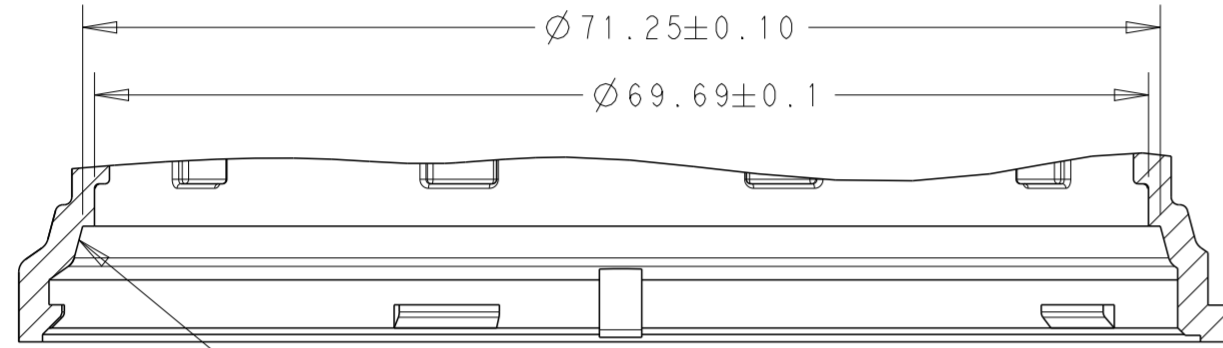
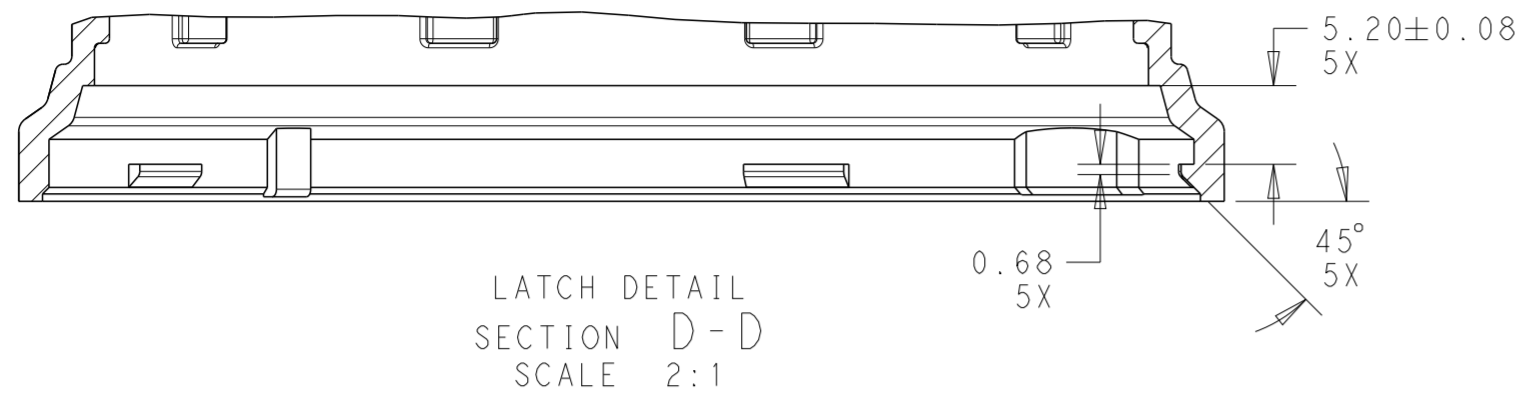


2213831-3 SHOWN
 SAME AS
 2213831-1 EXCEPT AS SHOWN

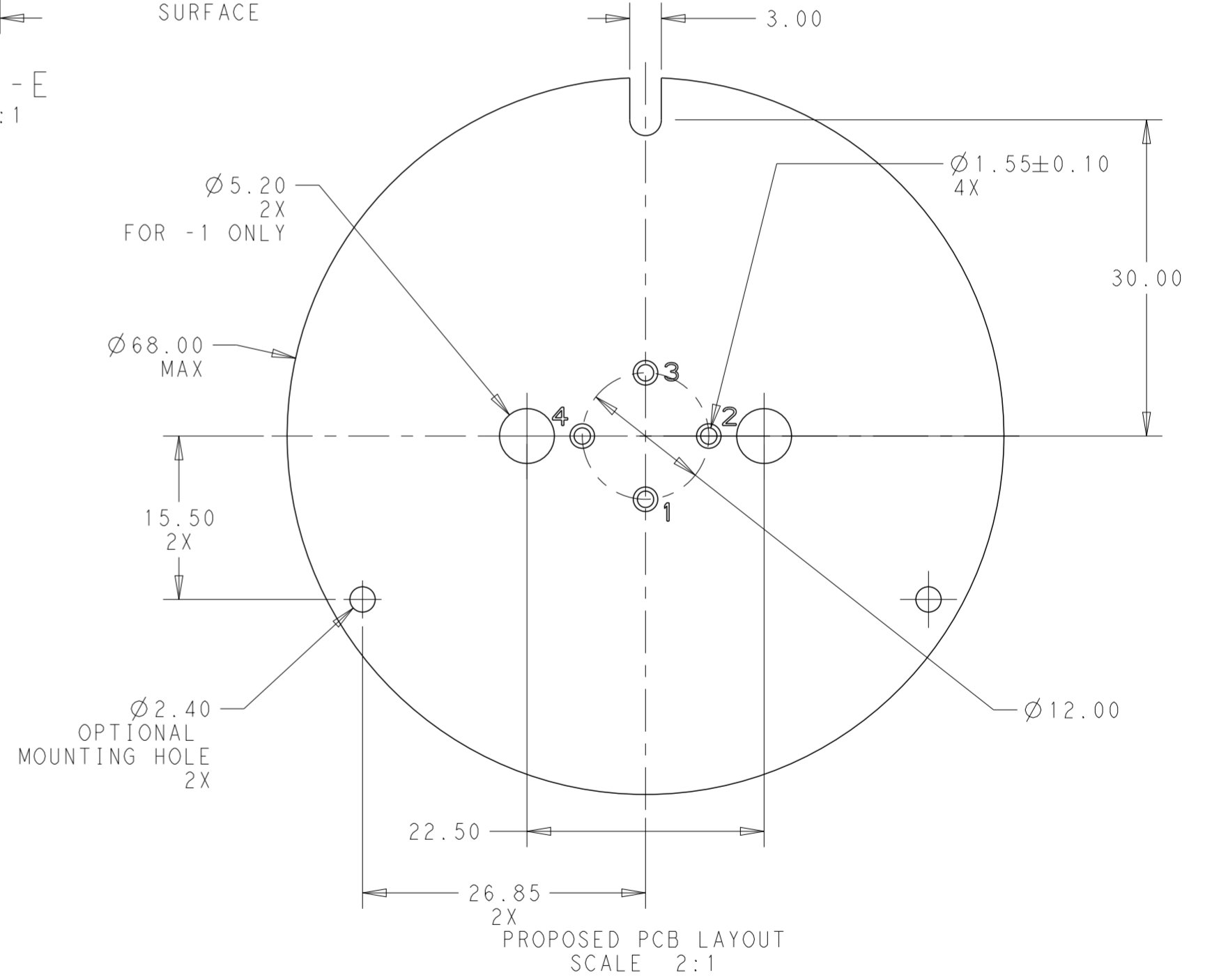
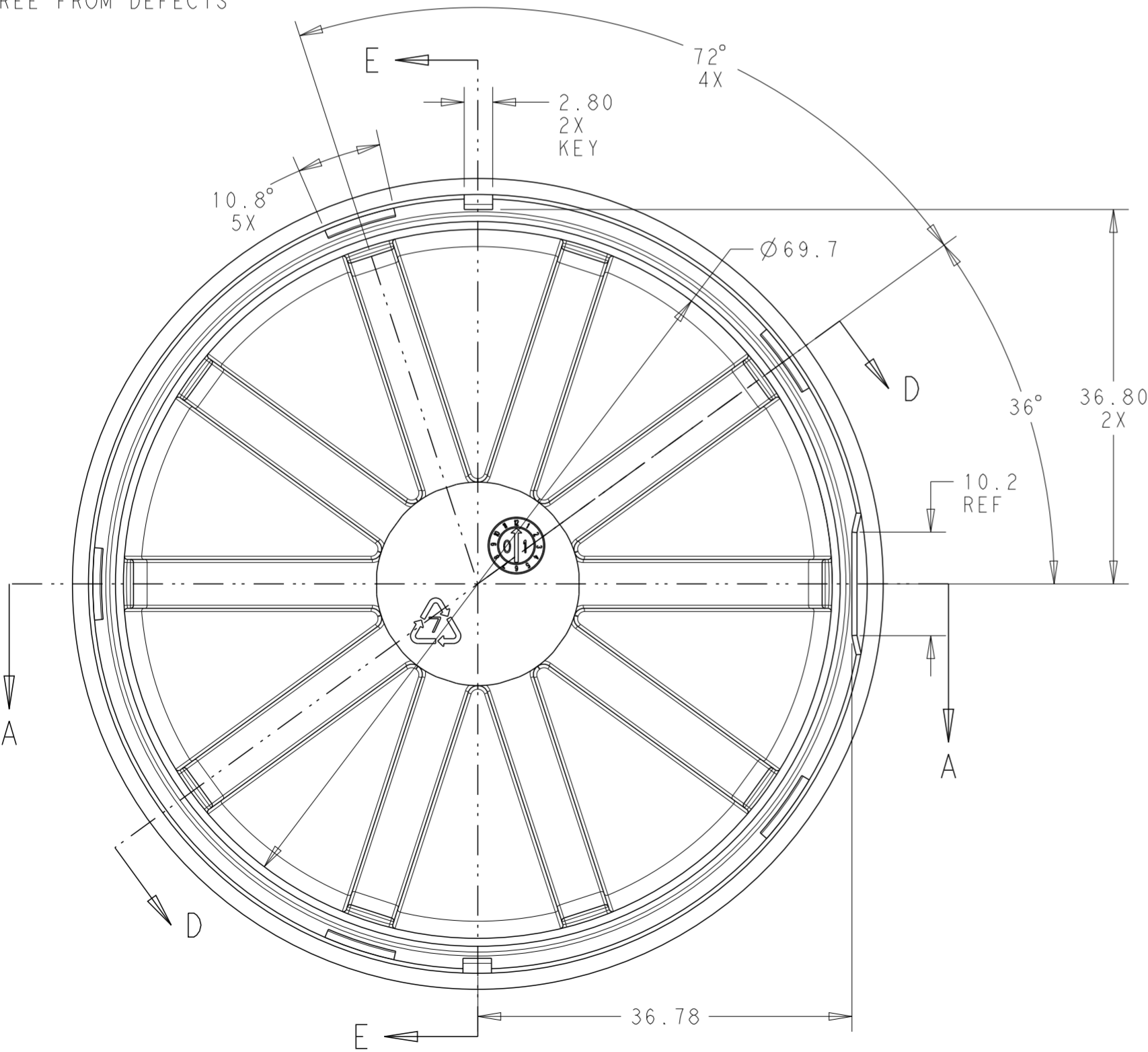
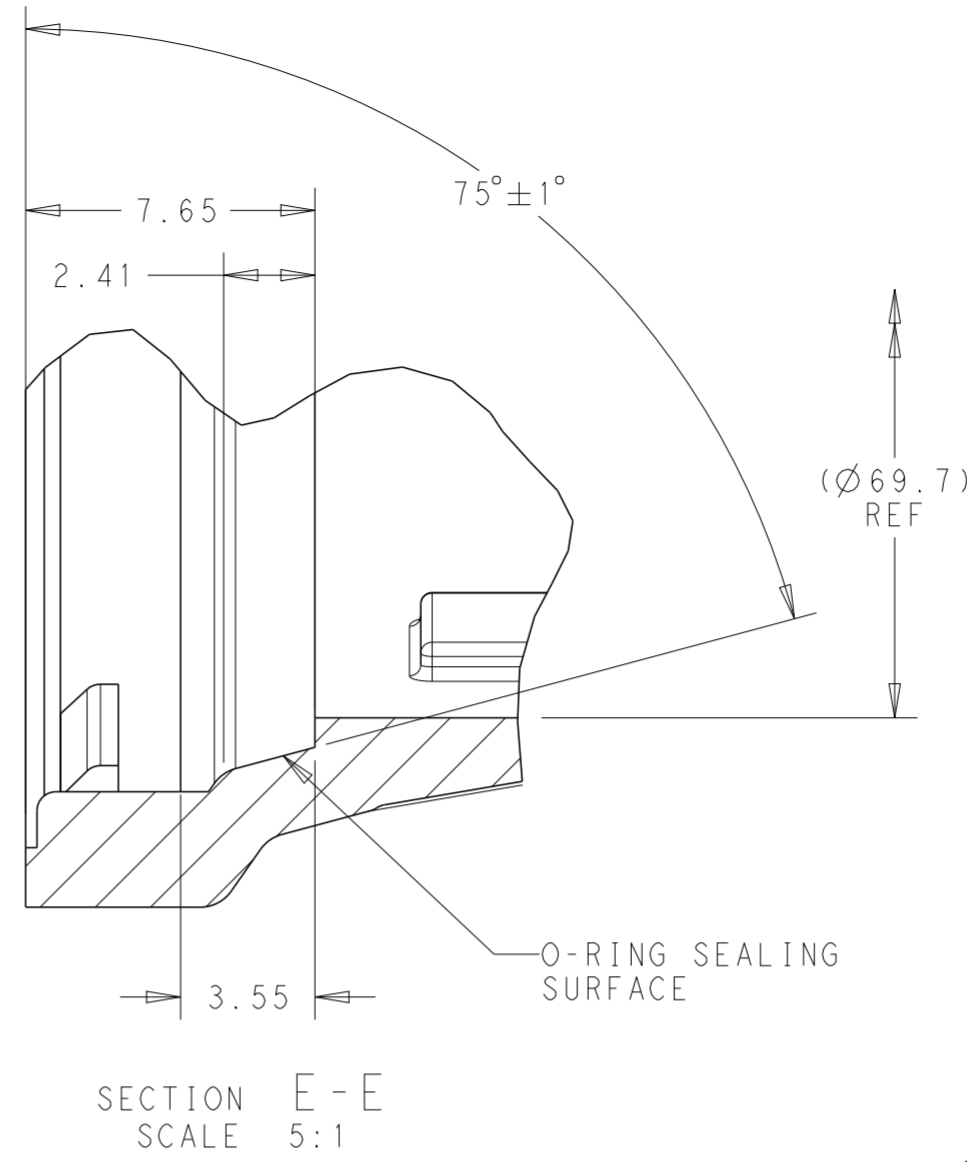
THIS DRAWING IS A CONTROLLED DOCUMENT.		DWN C. DAILY 05APR2016	STE TE Connectivity															
		CHK E. HOWARD 05APR2016																
DIMENSIONS: mm		TOLERANCES UNLESS OTHERWISE SPECIFIED:		APVD -														
<table border="0"> <tr><td>0 PLC</td><td>±</td></tr> <tr><td>1 PLC</td><td>±0.2</td></tr> <tr><td>2 PLC</td><td>±0.15</td></tr> <tr><td>3 PLC</td><td>±</td></tr> <tr><td>4 PLC</td><td>±</td></tr> <tr><td>ANGLES</td><td>±1</td></tr> <tr><td>FINISH</td><td>-</td></tr> </table>		0 PLC	±	1 PLC	±0.2	2 PLC	±0.15	3 PLC	±	4 PLC	±	ANGLES	±1	FINISH	-	PRODUCT SPEC 108-133073	NAME MODULE BASE ASSEMBLY, LUMAWISE ENDURANCE S 80mm DIAMETER	
0 PLC	±																	
1 PLC	±0.2																	
2 PLC	±0.15																	
3 PLC	±																	
4 PLC	±																	
ANGLES	±1																	
FINISH	-																	
MATERIAL - SEE NOTES		APPLICATION SPEC 114-133074	SIZE A2	RESTRICTED TO -														
		WEIGHT -	CAGE CODE -	DRAWING NO. G-2213831														
		CUSTOMER DRAWING	SCALE 2:1	SHEET 2 OF 3														
				REV A2														

THIS DRAWING IS UNPUBLISHED. RELEASED FOR PUBLICATION 20
 © COPYRIGHT 20 BY - ALL RIGHTS RESERVED.

REVISIONS				
P	LTR	DESCRIPTION	DATE	APVD
-	-	SEE SHEET 1	-	-



O-RING SEALING SURFACE; MUST BE SMOOTH AND FREE FROM DEFECTS



THIS DRAWING IS A CONTROLLED DOCUMENT.		DWN C. DAILY 05APR2016	TE Connectivity	
		CHK E. HOWARD 05APR2016		
DIMENSIONS: mm	TOLERANCES UNLESS OTHERWISE SPECIFIED:	APVD -	NAME MODULE BASE ASSEMBLY, LUMAWISE ENDURANCE S 80mm DIAMETER	
0 PLC ±	1 PLC ±0.2	PRODUCT SPEC 108-133073	SIZE A2	CAGE CODE -
2 PLC ±0.15	3 PLC ±	APPLICATION SPEC 114-133074	DRAWING NO C-2213831	RESTRICTED TO -
4 PLC ±	ANGLES ±1	WEIGHT -	SCALE 2:1	SHEET 3 OF 3
MATERIAL -	FINISH -	CUSTOMER DRAWING	REV A2	
SEE NOTES				