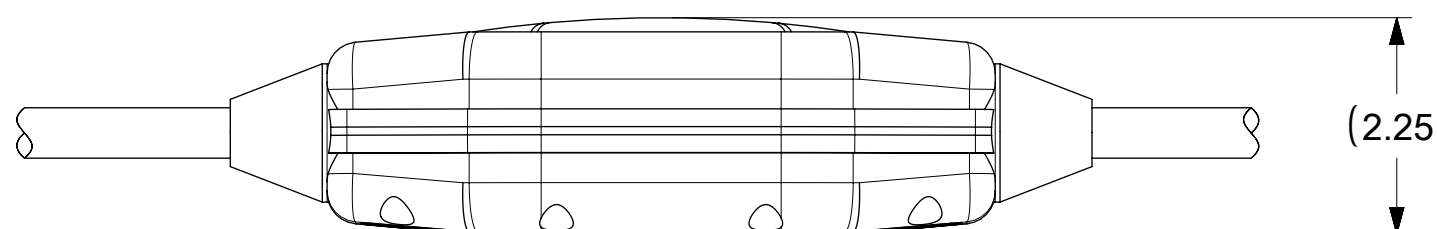
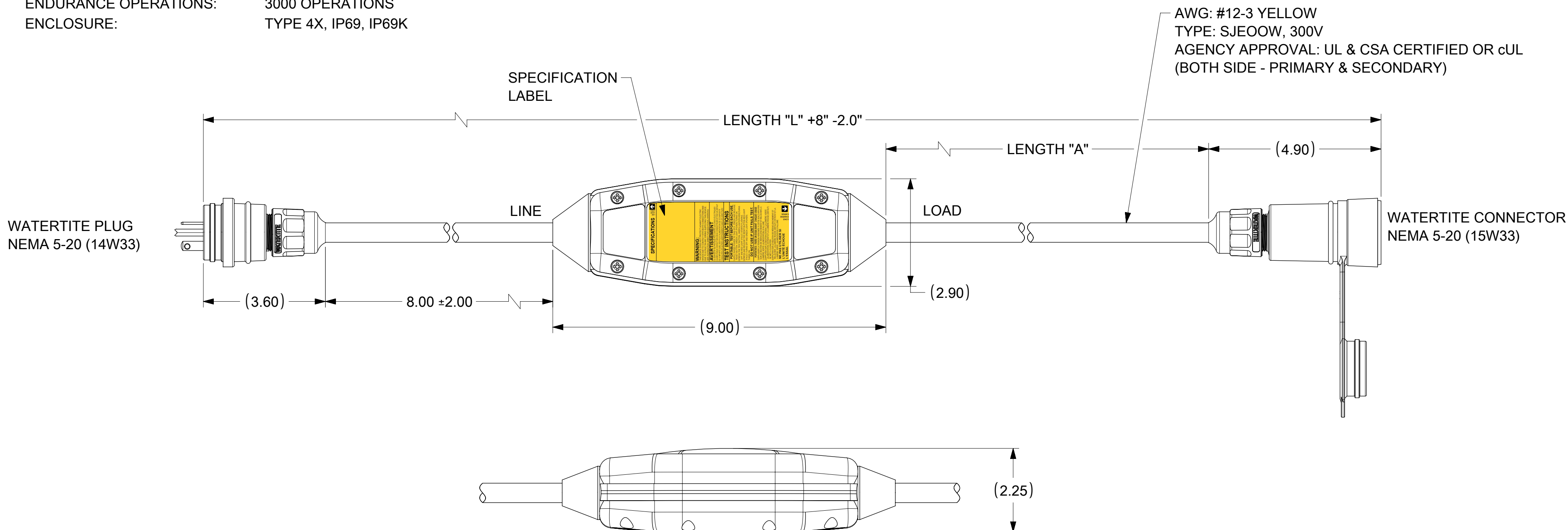
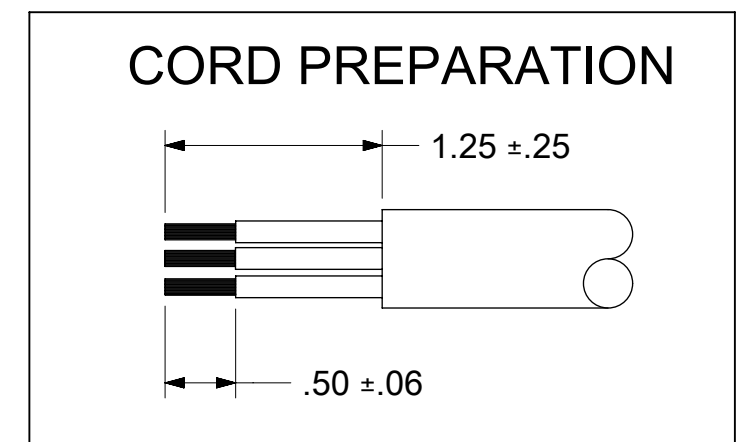


**TECHNICAL**

AGENCY APPROVAL: cULus  
 RATED SUPPLY VOLTAGE: 120VAC  
 RATED CURRENT: UP TO 20 AMPS  
 RESET TYPE: SEE TABLE  
 OPERATING FREQUENCY: 60 Hz  
 TYPE: CLASS A  
 GROUND TRIP CURRENT: 5mA +/- 1mA  
 OVERLOAD CURRENT: 120 AMPS, 50% INDUCTIVE  
 INSULATION VOLTAGE: 1,500 VRMS - 1 MINUTE  
 ENDURANCE OPERATIONS: 3000 OPERATIONS  
 ENCLOSURE: TYPE 4X, IP69, IP69K



MATERIAL NO.	ENGINEERING NO.	LENGTH "L"	LENGTH "A"	POWER-UP
1301530123	20052-1A	3.5 FT	1 FT ± 1 IN	AUTO
1301530132	20052-6A	8.5 FT	6 FT ± 1 IN	AUTO
1301530128	20052-25A	27.5 FT	25 FT ± 1 IN	AUTO
1301530126	20052-1M	3.5 FT	1 FT ± 1 IN	MANUAL
1301530134	20052-6M	8.5 FT	6 FT ± 1 IN	MANUAL
1301530130	20052-25M	27.5 FT	25 FT ± 1 IN	MANUAL

FUNCTIONAL SYMBOLS		THIS DRAWING CONTAINS INFORMATION THAT IS PROPRIETARY TO MOLEX ELECTRONIC TECHNOLOGIES, LLC AND SHOULD NOT BE USED WITHOUT WRITTEN PERMISSION		CURRENT REV DESC: REPLACED 20A INLINE GFCI	
$\frac{F}{A} = 0$	DIMENSION UNITS	SCALE	EC NO: 678993		
$\frac{F}{C} = 0$	INCH	NTS	DRWN: VASUTHKARP	2021/09/07	
$\frac{F}{P} = 0$	GENERAL TOLERANCES (UNLESS SPECIFIED)		CHK'D: DNGUYEN62	2022/12/16	
DIVISIONAL SYMBOLS		ANGULAR TOL ± °	APPR: HKNEELAND	2022/12/19	PRODUCT CUSTOMER DRAWING
		4 PLACES ±	INITIAL REVISION:		DOCUMENT NUMBER
		3 PLACES ±	DRWN: MC	2005/12/06	1301530130
		2 PLACES ±	APPR:		PSD 000 B
		1 PLACE ±	THIRD ANGLE PROJECTION		DOC TYPE DOC PART REVISION
		0 PLACES ±	DRAWING SERIES		MATERIAL NUMBER CUSTOMER SHEET NUMBER
DRAFT WHERE APPLICABLE MUST REMAIN WITHIN DIMENSIONS		C-SIZE 130153		SEE TABLE	GENERAL MARKET 1 OF 1