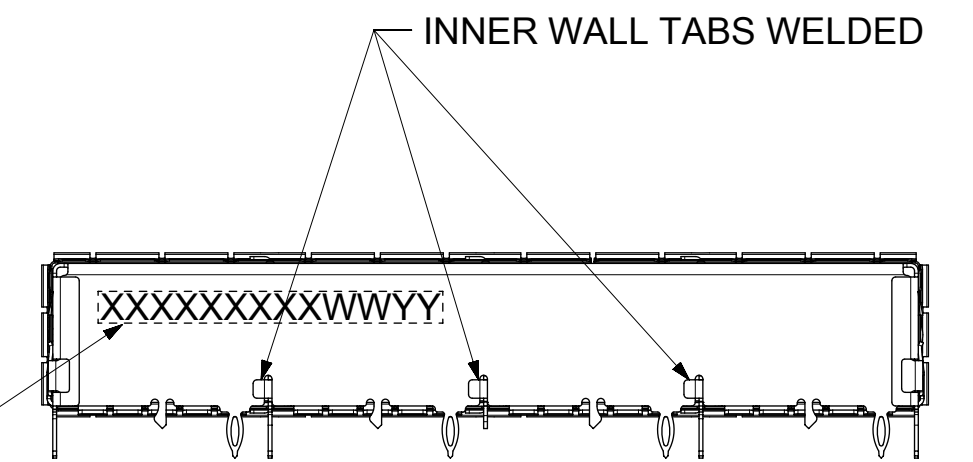
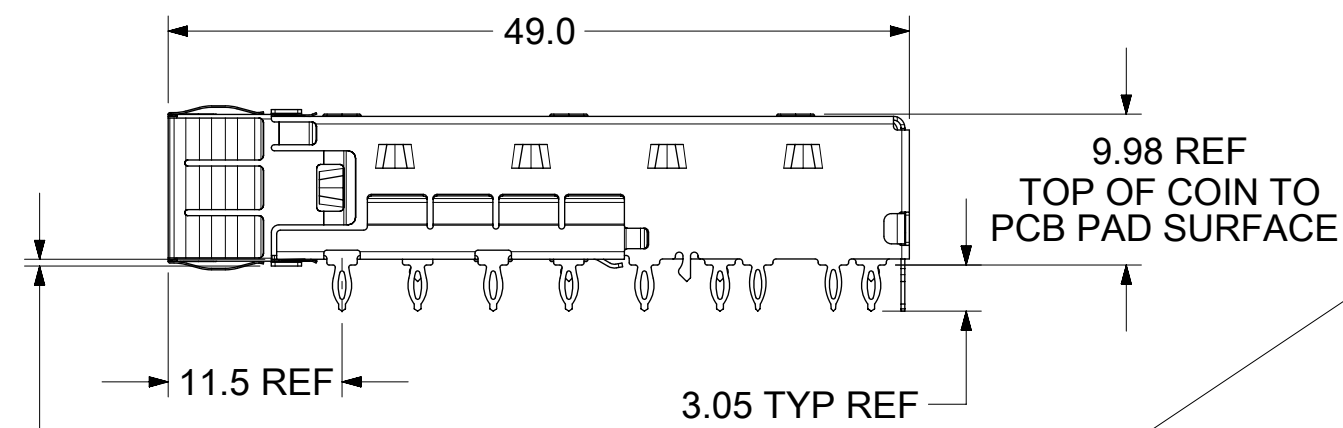
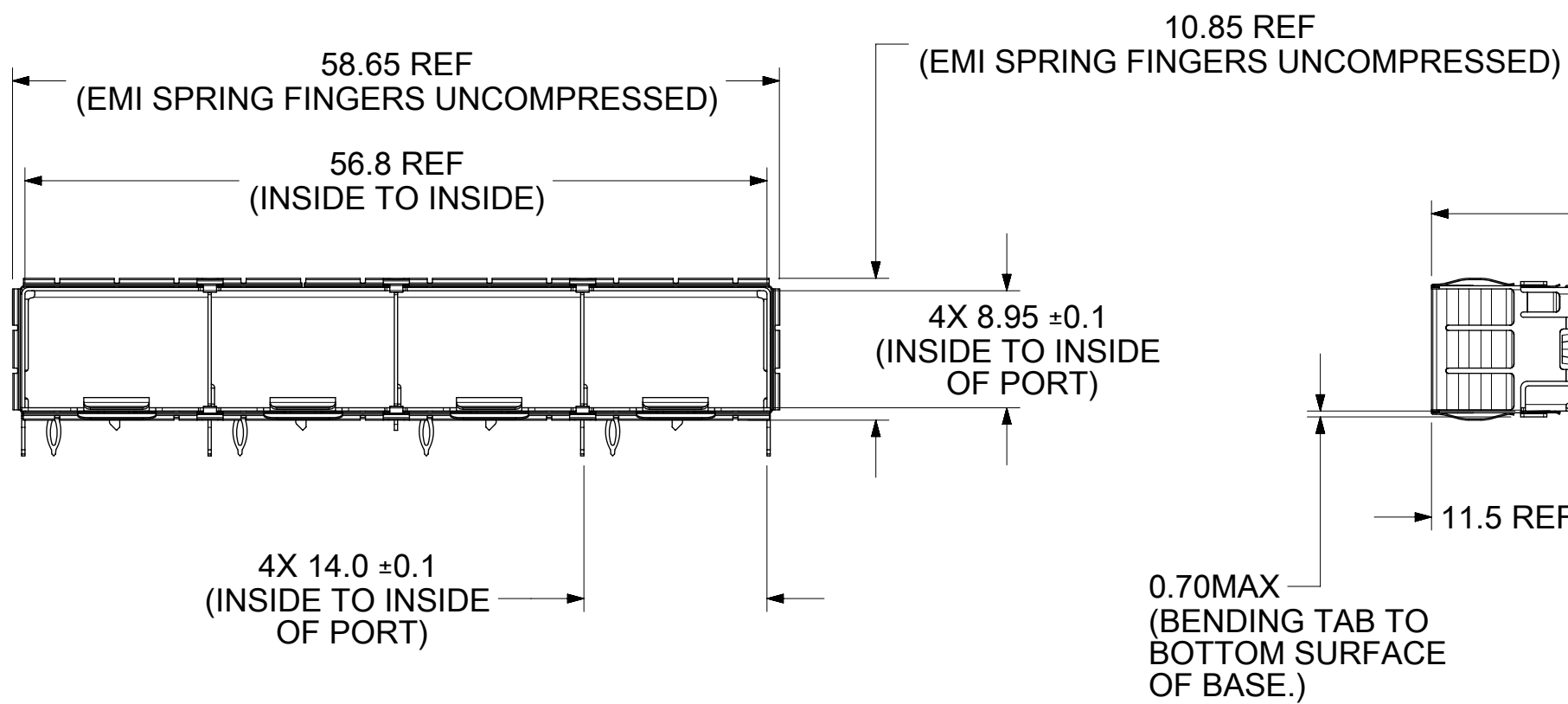
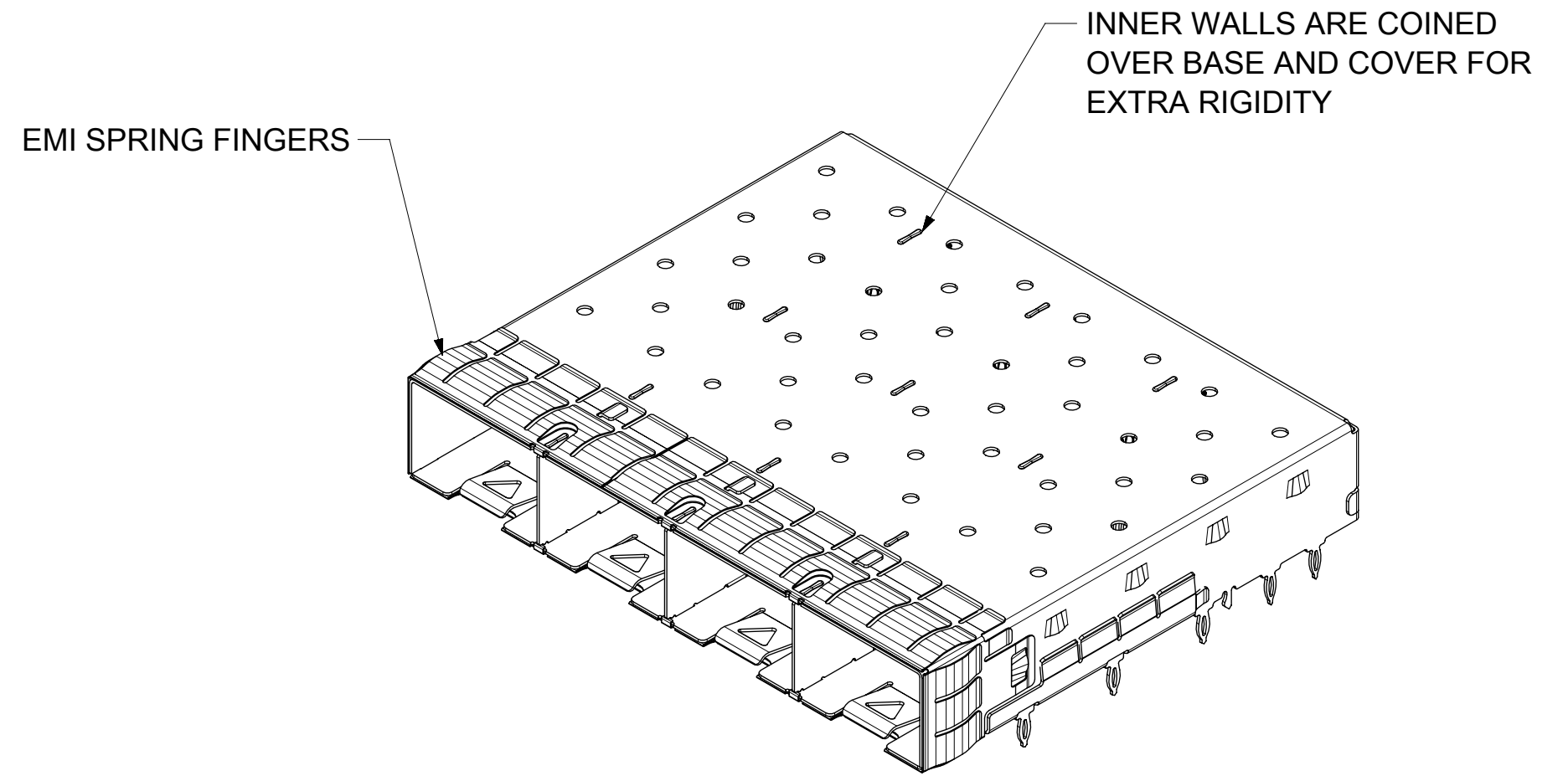
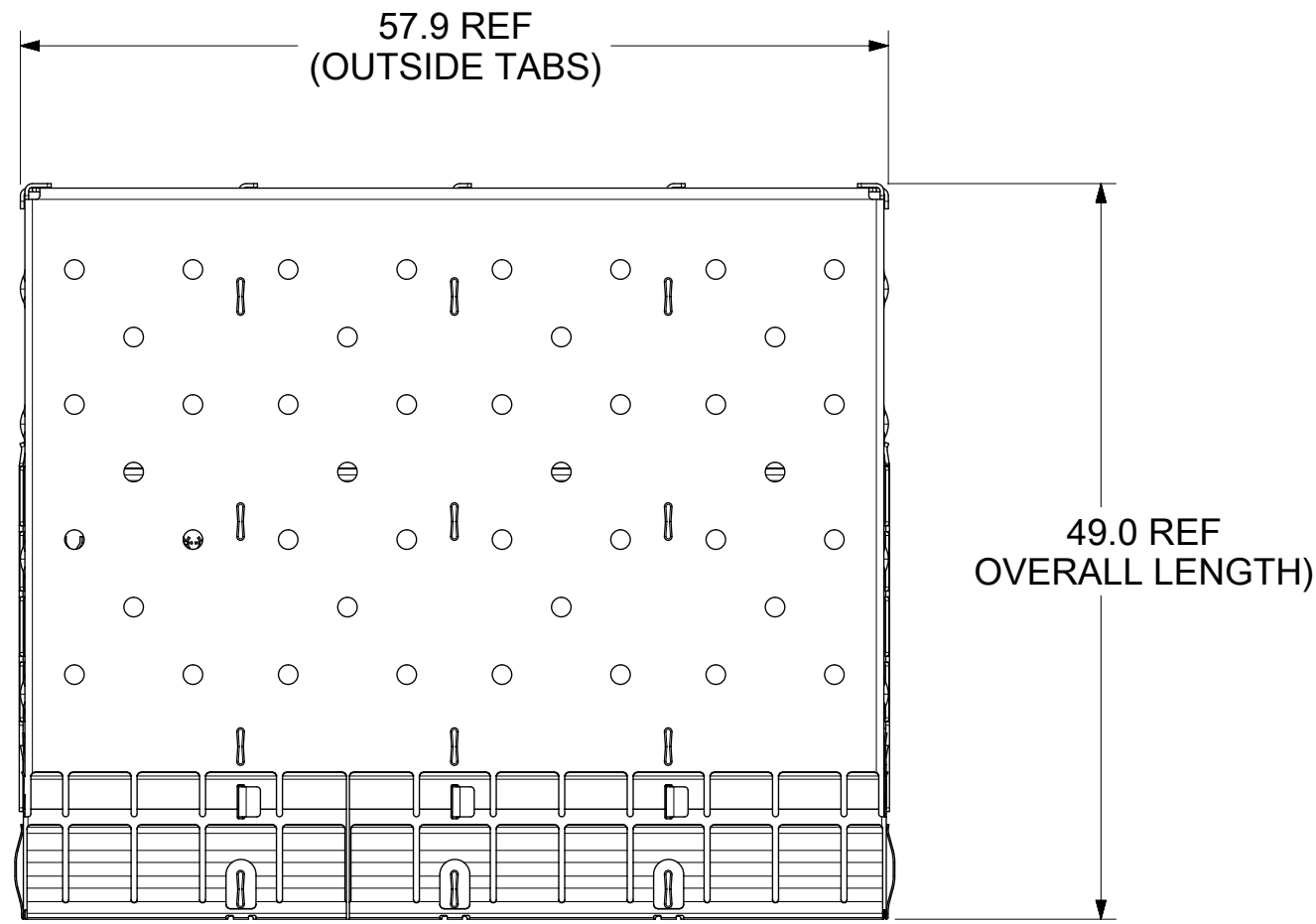


BASE CAGE DETAILS

(APPLIES TO ALL CAGES IN THIS DRAWING)

747548420

SHOWN



PART NO. AND WEEK/YEAR DATE CODE TO BE PRINTED ON THE BACK OF COMPLETED CAGE ASSEMBLY APPROXIMATELY AS SHOWN ON 74754 SERIES CAGE ASSEMBLIES.

NOTES:

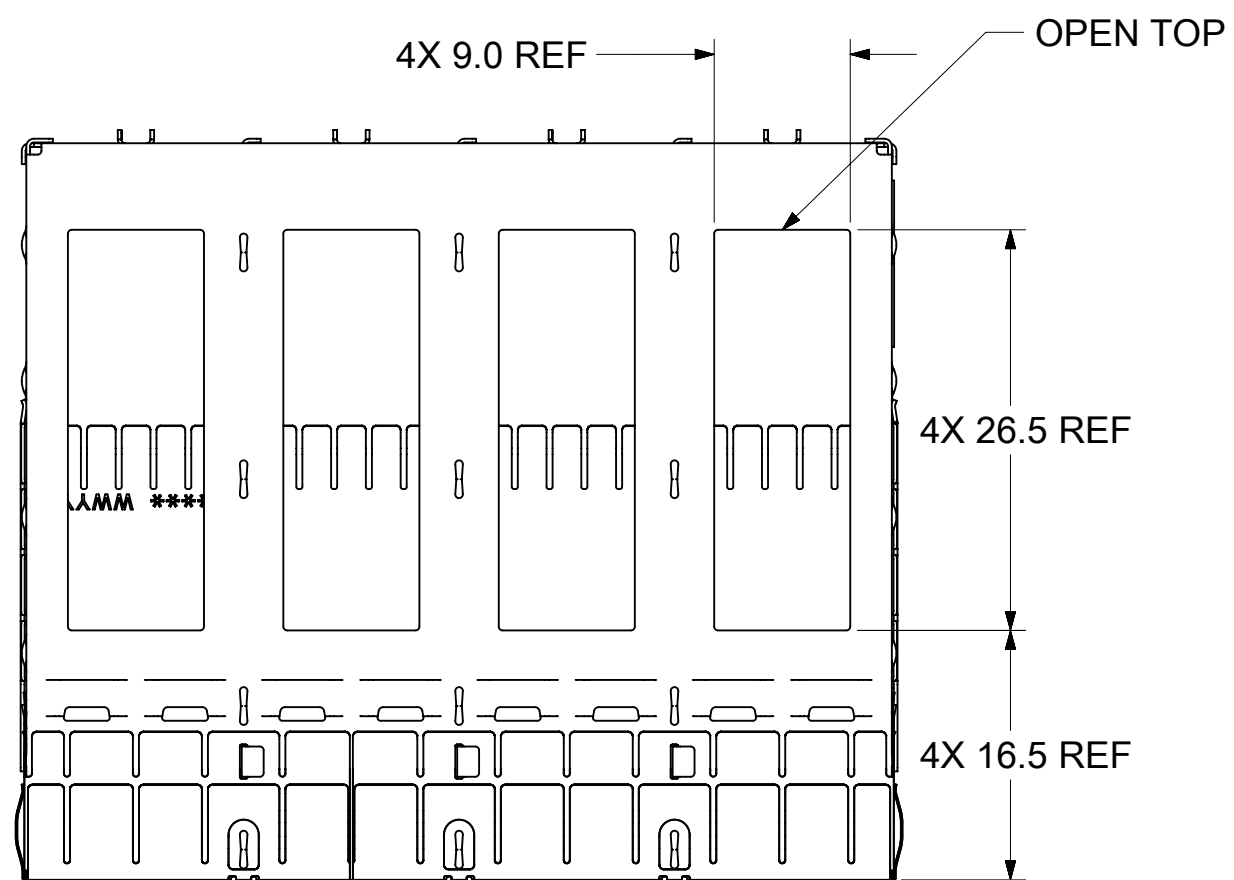
- MATERIAL:**
 CAGE: 0.25mm THICK COPPER ALLOY, NICKEL PLATED.
 SPRING FINGERS: STAINLESS STEEL
 HEATSINK: ALUMINUM, NICKEL PLATED.
 HEATSINK SPRING CLIP: STAINLESS STEEL.
- PRESS FIT LEGS 3.05mm LONG:**
- PORTS ARE DESIGNED FOR SFP+ TRANSCEIVERS AND ARE COMPATIBLE WITH SFP TRANSCEIVERS.**
 THE TOP SURFACE OF THE MODULE MUST BE FLAT (NO PRODUCT LABEL RECESS)
 AND THERMALLY CONDUCTIVE TO FUNCTION OPTIMALLY.
- WELD SPOT MAY SHOW SLIGHT MATERIAL DISCOLORATION.**
- NO RoHS EXEMPTIONS.**
- CUSTOM HEATSINKS AVAILABLE UPON REQUEST.**

| WEEK/YEAR DATE CODE TABLE | |
|---------------------------|--|
| WW | 01 THRU 52 OR 53 EXAMPLE: 01 = FIRST WEEK OF YEAR 52 = LAST WEEK OF YEAR |
| YY | 22, 23, 24,, ETC. EXAMPLE: YEAR 2022 = 22 |

| | | | | | |
|--|---------------------------------------|---|---------|--------------------------------------|---------------------------------------|
| FUNCTIONAL SYMBOLS | | THIS DRAWING CONTAINS INFORMATION THAT IS PROPRIETARY TO MOLEX ELECTRONIC TECHNOLOGIES, LLC AND SHOULD NOT BE USED WITHOUT WRITTEN PERMISSION | | CURRENT REV DESC: SEE REVISION TABLE | |
| $\nabla_A = 0$ | DIMENSION UNITS | SCALE | | | |
| | mm | 2:1 | | | |
| $\nabla_E = 0$ | GENERAL TOLERANCES (UNLESS SPECIFIED) | | | | |
| $\nabla_P = 0$ | ANGULAR TOL ± 1.0° | | | | |
| DIVISIONAL SYMBOLS | | EC NO: 706897 | | 2022/05/04 | |
| 4 PLACES ± | | DRWN: ABHILT2 | | 2022/05/16 | |
| 3 PLACES ± | | CHK'D: TKUMARKC | | 2022/05/19 | |
| 2 PLACES ± 0.15 | | APPR: SCHIEN | | | |
| 1 PLACE ± 0.25 | | INITIAL REVISION: | | | |
| 0 PLACES ± | | DRWN: ABHILT2 | | 2022/05/04 | |
| | | APPR: SCHIEN | | 2022/05/19 | |
| DRAFT WHERE APPLICABLE MUST REMAIN WITHIN DIMENSIONS | | THIRD ANGLE PROJECTION | DRAWING | SERIES | DOCUMENT NUMBER |
| | | | C-SIZE | 111112 | 111128320 |
| | | | | | DOC TYPE DOC PART REVISION |
| | | | | | PSD ASY A |
| | | | | | MATERIAL NUMBER CUSTOMER SHEET NUMBER |
| | | | | | SEE SHEET 3 1 OF 7 |

| | | | |
|-----------------|----|--------------|---------------------|
| DOCUMENT STATUS | P1 | RELEASE DATE | 2022/05/19 07:40:31 |
|-----------------|----|--------------|---------------------|

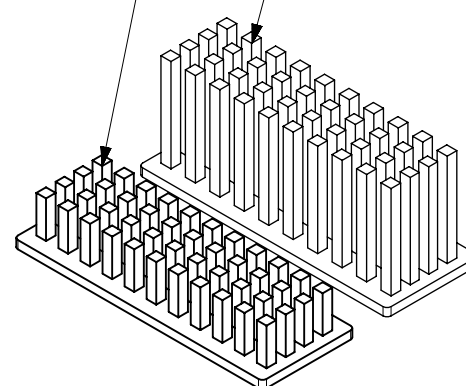
CAGE ASSEMBLY OPTIONS



HEATSINK OPTIONS

PIN FIELD NETWORKING

PIN FIELD SAN



OVERALL HEATSINK HEIGHT

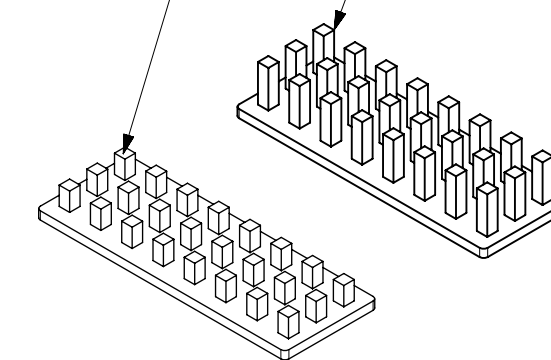
| APPLICATION | DIM 'A' |
|-------------|---------|
| SAN | 16.6 |
| NETWORKING | 23.6 |

NOTE: PCI-13ROWS
SAN-11ROWS
NETWORKING-10ROWS

HEATSINK OPTIONS

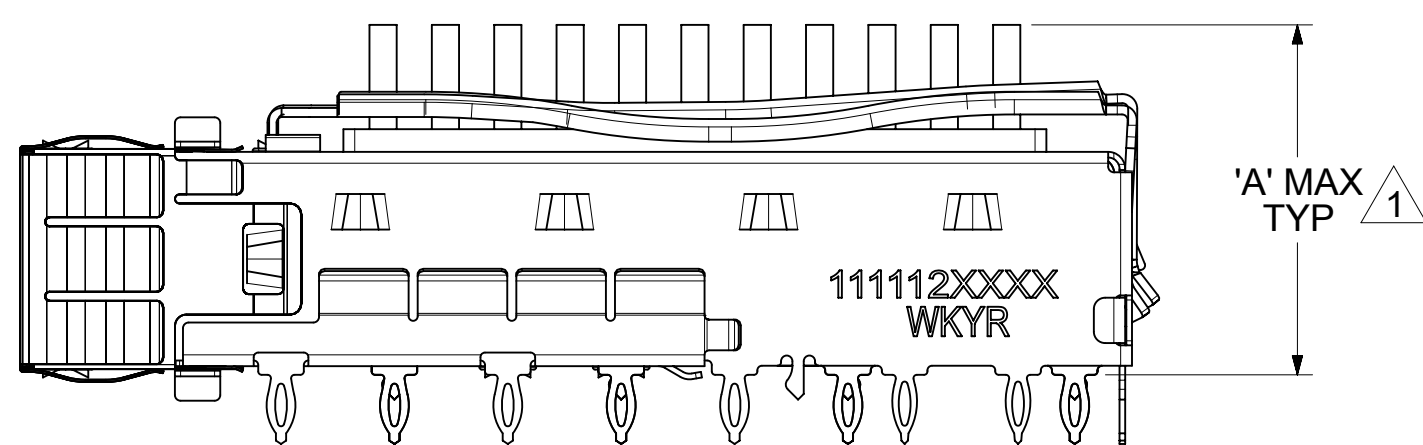
WIDE GAP PIN FIELD SAN

WIDE GAP PIN FIELD PCI

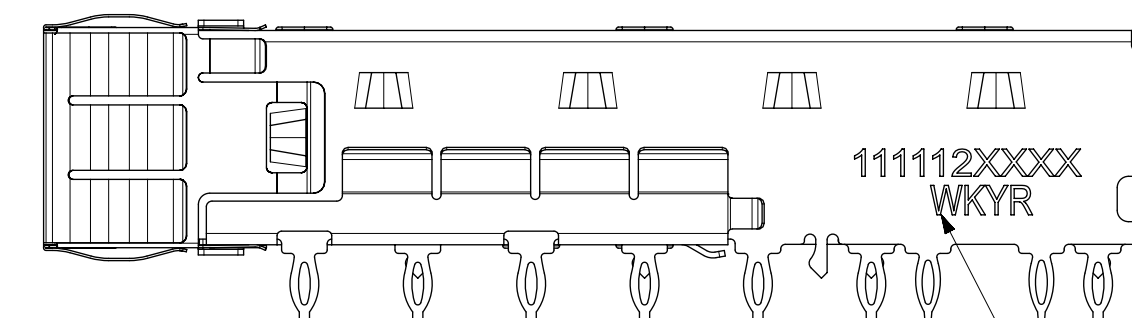
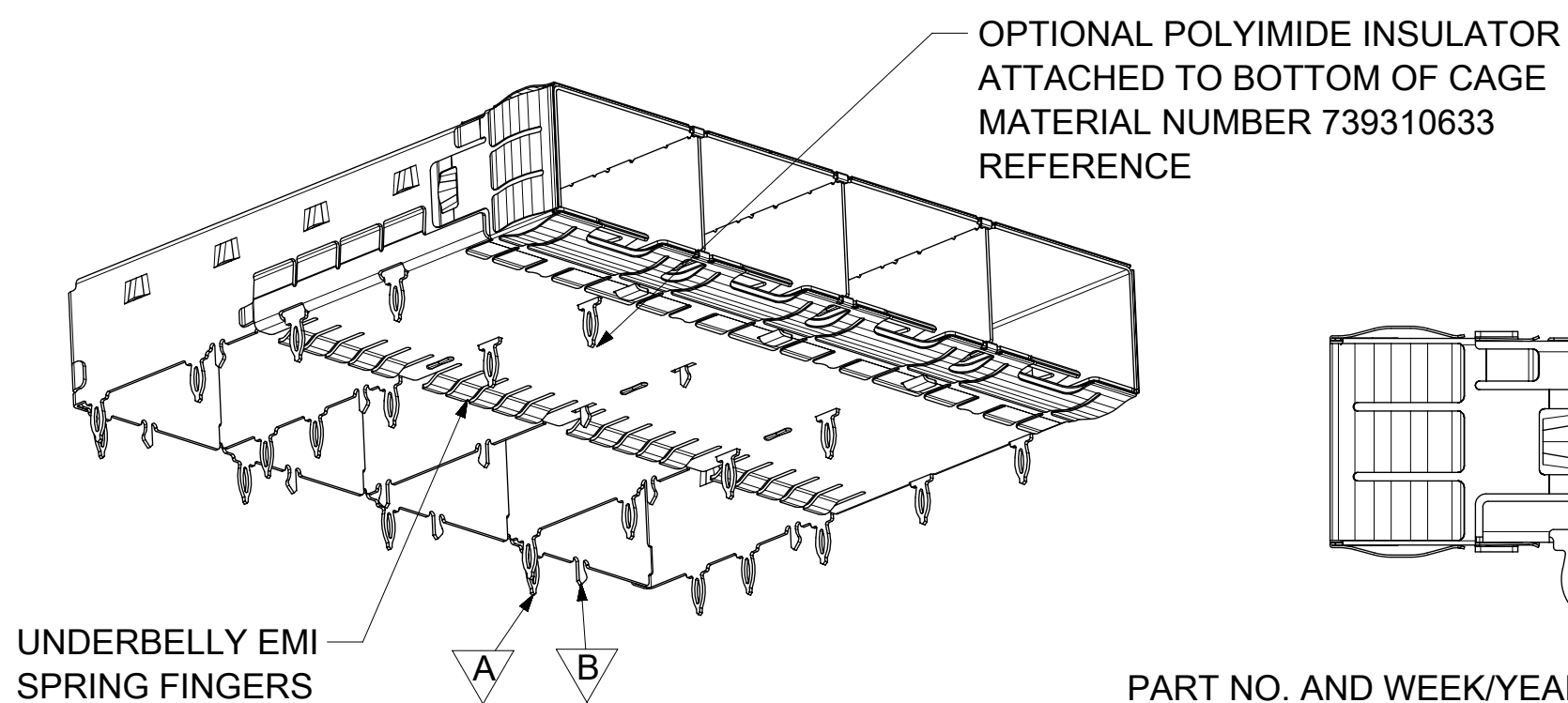


OVERALL HEATSINK HEIGHT

| APPLICATION | DIM 'A' |
|-------------|---------|
| PCI | 14.3 |
| SAN | 16.6 |



NOTES:
1 HEIGHT OF HEATSINK WITH MODULE INSERTED.
DIMENSION MAY BE LESS DUE TO MODULE AND HEATSINK VARIATIONS.



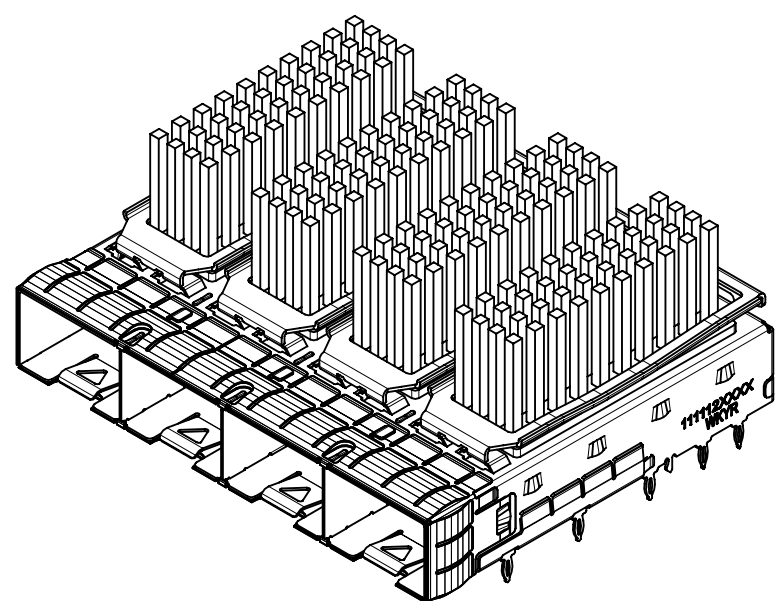
PART NO. AND WEEK/YEAR DATE CODE TO BE PRINTED ON THE SIDE OF COMPLETED CAGE ASSEMBLY APPROXIMATELY AS SHOWN FOR 11112 SERIES CAGE ASSEMBLIES.

| WEEK/YEAR DATE CODE TABLE | |
|---------------------------|--|
| WW | 01 THRU 52 OR 53 EXAMPLE: 01 = FIRST WEEK OF YEAR 52 = LAST WEEK OF YEAR |
| YY | 22, 23, 24,, ETC. EXAMPLE: YEAR 2022 = 22 |

| | | | | | | |
|--|---|---------|---|-----------------|----------|--------------|
| FUNCTIONAL SYMBOLS | THIS DRAWING CONTAINS INFORMATION THAT IS PROPRIETARY TO MOLEX ELECTRONIC TECHNOLOGIES, LLC AND SHOULD NOT BE USED WITHOUT WRITTEN PERMISSION | | CURRENT REV DESC: SEE REVISION TABLE | | | |
| $\frac{E}{A} = 0$ | DIMENSION UNITS | SCALE | <p>molex</p> <p>SFP+ 1X4 SF CAGE ASSY'S PRESS FIT, HEAT SINKS, WITH SUS EMI SPRING FINGERS</p> <p>PRODUCT CUSTOMER DRAWING</p> | | | |
| $\frac{E}{C} = 0$ | mm | 2:1 | | | | |
| $\frac{E}{D} = 0$ | GENERAL TOLERANCES (UNLESS SPECIFIED) | | | | | |
| DIVISIONAL SYMBOLS | ANGULAR TOL | ± 1.0° | EC NO: 706897 | 2022/05/04 | | |
| 4 PLACES | ± | | DRWN: ABHILT2 | 2022/05/16 | | |
| 3 PLACES | ± | | CHK'D: TKUMARKC | 2022/05/19 | | |
| 2 PLACES | ± 0.15 | | APPR: SCHIEN | | | |
| 1 PLACE | ± 0.25 | | INITIAL REVISION: | | | |
| 0 PLACES | ± | | DRWN: ABHILT2 | 2022/05/04 | | |
| | | | APPR: SCHIEN | 2022/05/19 | | |
| DRAFT WHERE APPLICABLE MUST REMAIN WITHIN DIMENSIONS | THIRD ANGLE PROJECTION | DRAWING | SERIES | MATERIAL NUMBER | CUSTOMER | SHEET NUMBER |
| | | C-SIZE | 111112 | SEE SHEET 3 | | 2 OF 7 |

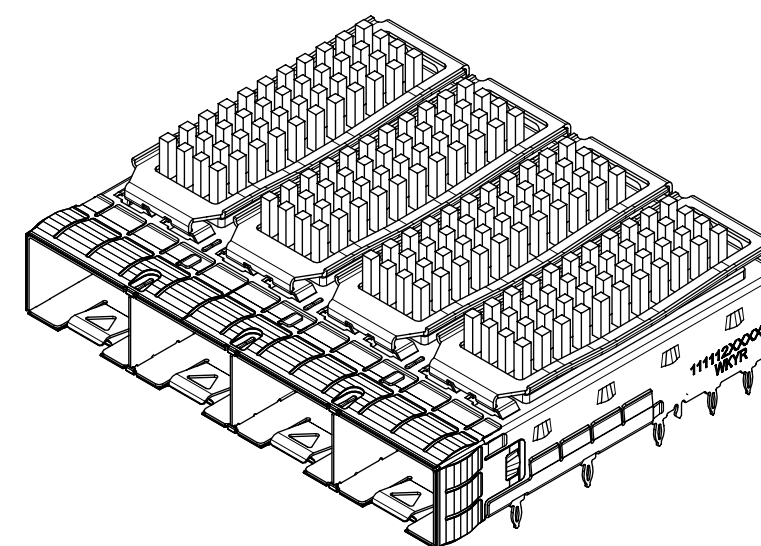
| | | | |
|-----------------|----|--------------|---------------------|
| DOCUMENT STATUS | P1 | RELEASE DATE | 2022/05/19 07:40:31 |
|-----------------|----|--------------|---------------------|

PART NUMBER SELECTION

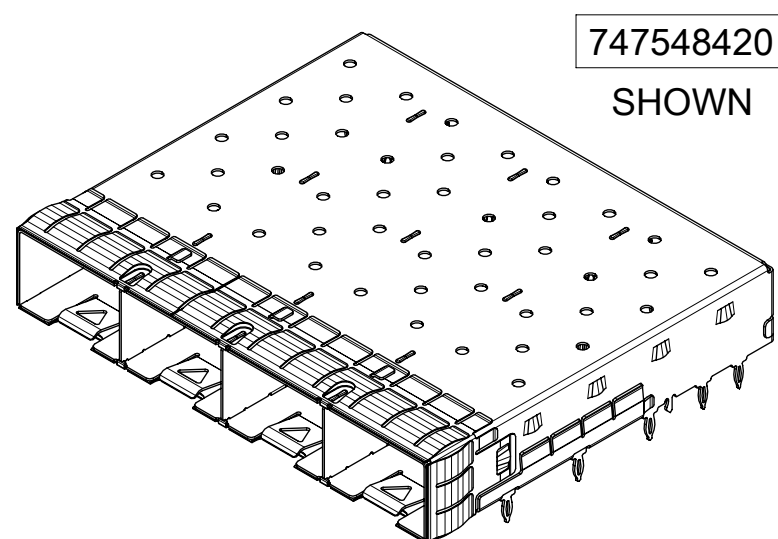


| SFP+ PIN FIELD HEATSINK OPTION | | | |
|--------------------------------|---------------------|-----------|-------------------------|
| PART NO. | POLYIMIDE INSULATOR | HEAT SINK | # OF REAR LEGS PER PORT |
| 1111128320 | --- | SAN | 1A, 1B |
| 1111123820 | --- | NET | 1A, 1B |
| 1111124860 | YES | NET | 1A, 1B |

NOTE: PCI-13ROWS
SAN-11ROWS
NET-10ROWS



| SFP+ WIDE GAP PIN FIELD HEATSINK OPTION | | | |
|---|---------------------|-----------|-------------------------|
| PART NO. | POLYIMIDE INSULATOR | HEAT SINK | # OF REAR LEGS PER PORT |
| 1111121820 | --- | PCI | 1A, 1B |
| 1111129421 | --- | CUSTOM | 1A, 1B |

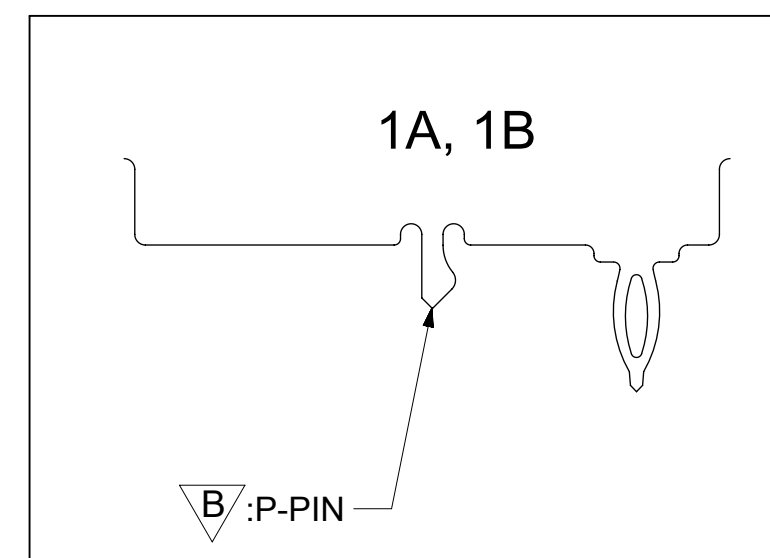


747548420
SHOWN

| SFP+ OPEN TOP BASE CAGE FOR HEATSINK | | | | |
|--------------------------------------|---------------------|---------------------|-------------------------|---------|
| PART NO. | POLYIMIDE INSULATOR | WELD POINT QUANTITY | # OF REAR LEGS PER PORT | PLATING |
| 747548420 | --- | 6 | 1A, 1B | ---- |
| 747548427 | YES | 6 | 1A, 1B | ---- |

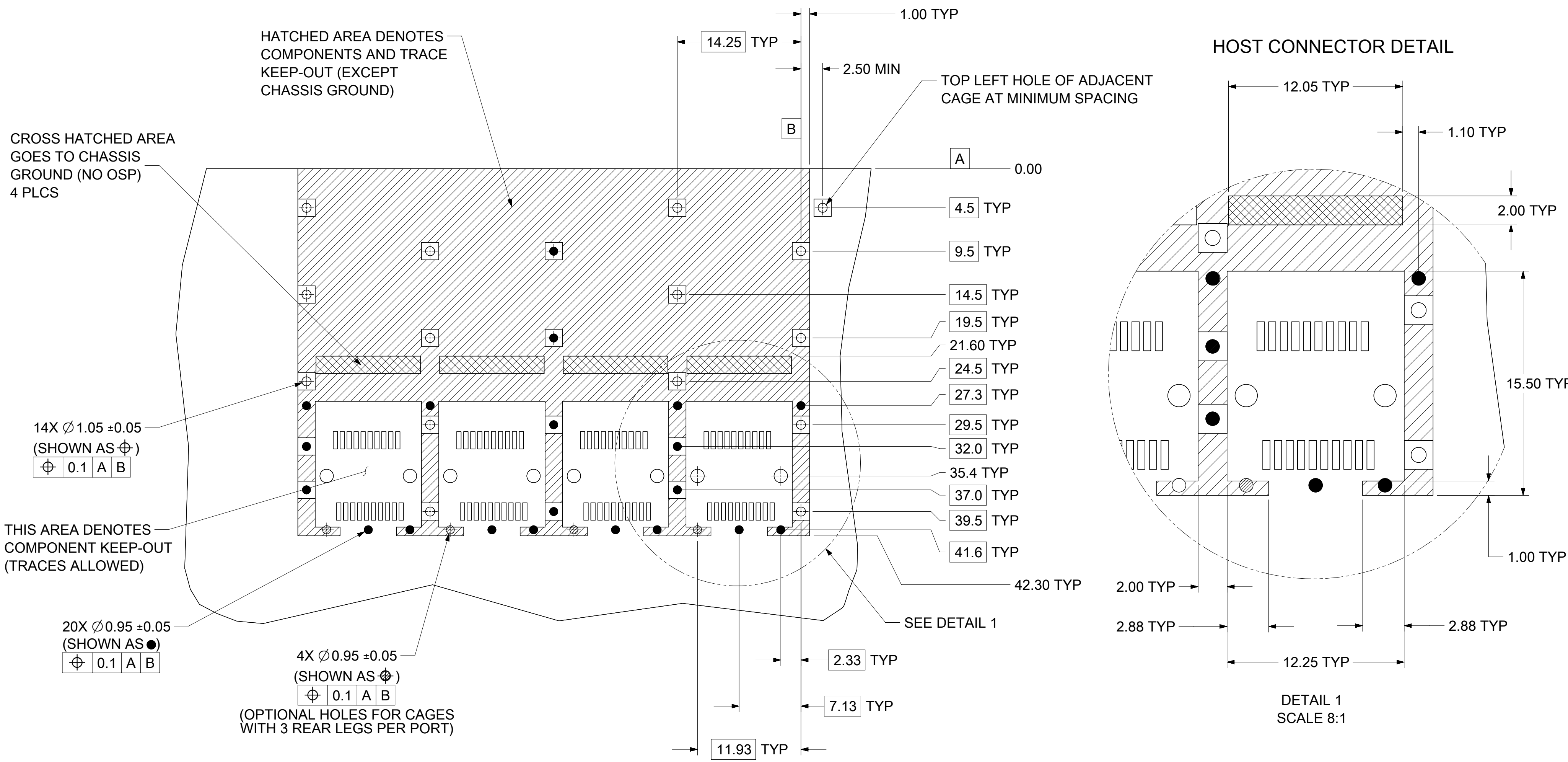
(15mm MAX PITCH BETWEEN ANY 2 WELD POINTS)

REAR LEG OPTIONS (PER PORT)

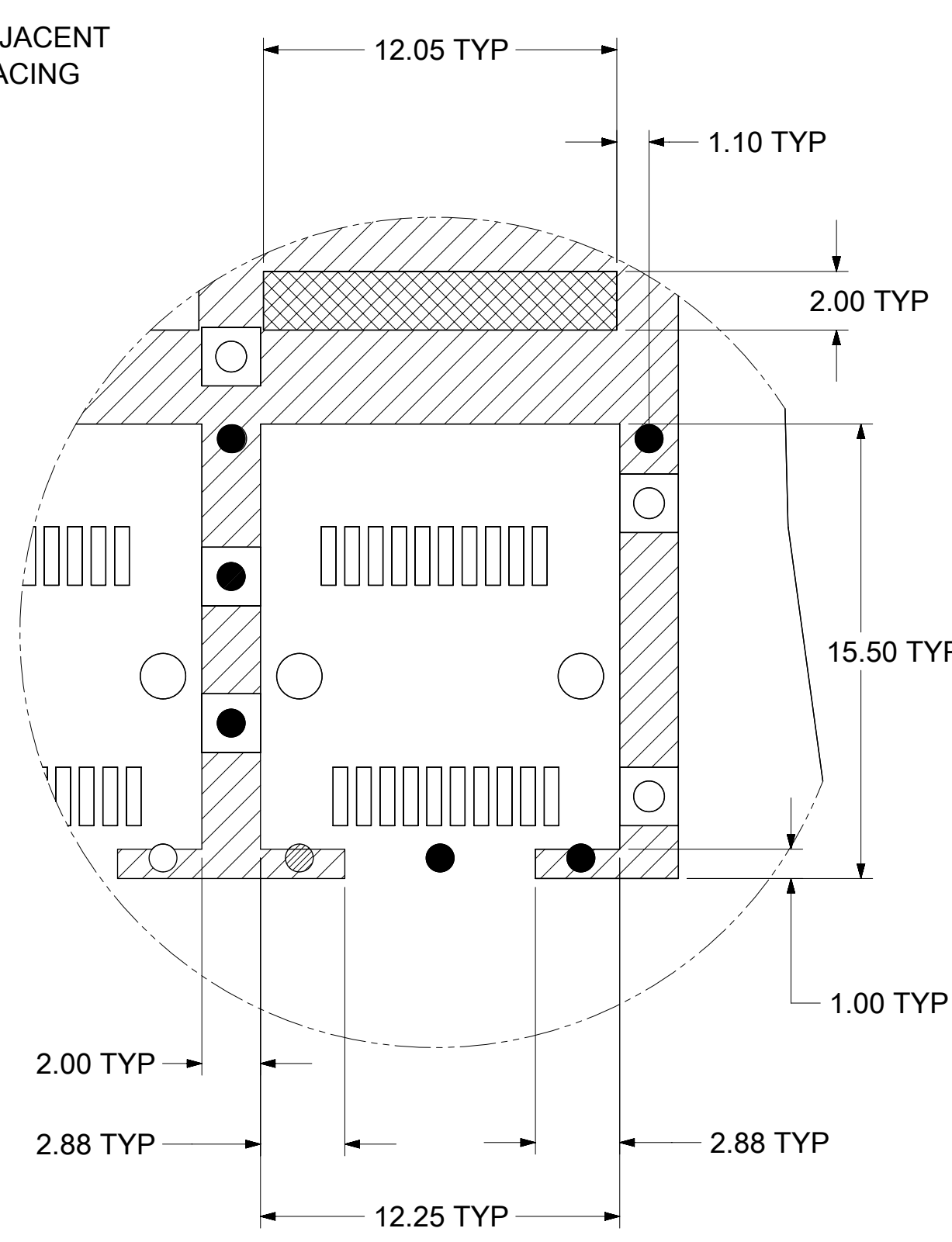


| | | | | | |
|--|---|------------|---------------------------------------|-----------------|--|
| FUNCTIONAL SYMBOLS $\nabla A = 0$ $\nabla C = 0$ $\nabla P = 0$ | THIS DRAWING CONTAINS INFORMATION THAT IS PROPRIETARY TO MOLEX ELECTRONIC TECHNOLOGIES, LLC AND SHOULD NOT BE USED WITHOUT WRITTEN PERMISSION | | CURRENT REV DESC: SEE REVISION TABLE | | |
| | DIMENSION UNITS | SCALE | GENERAL TOLERANCES (UNLESS SPECIFIED) | | |
| | mm | 4:3 | ANGULAR TOL $\pm 1.0^\circ$ | | |
| | 4 PLACES \pm | | EC NO: 706897 | | |
| DIVISIONAL SYMBOLS 3 PLACES \pm 2 PLACES ± 0.15 1 PLACE ± 0.25 0 PLACES \pm | DRAFT WHERE APPLICABLE MUST REMAIN WITHIN DIMENSIONS | | THIRD ANGLE PROJECTION | | PRODUCT CUSTOMER DRAWING DOCUMENT NUMBER 1111128320 DOC TYPE PSD DOC PART ASY REVISION A |
| | DRWN: ABHILT2 | | 2022/05/04 | | |
| | CHK'D: TKUMARKC | | 2022/05/16 | | |
| | APPR: SCHIEN | | 2022/05/19 | | |
| DRWN: ABHILT2 | | 2022/05/04 | | MATERIAL NUMBER | |
| APPR: SCHIEN | | 2022/05/19 | | CUSTOMER | |
| C-DRAWING | | SERIES | | SHEET NUMBER | |
| C-SIZE | | 111112 | | 3 OF 7 | |

PCB LAYOUT FOR SINGLE SIDE MOUNT



HOST CONNECTOR DETAIL

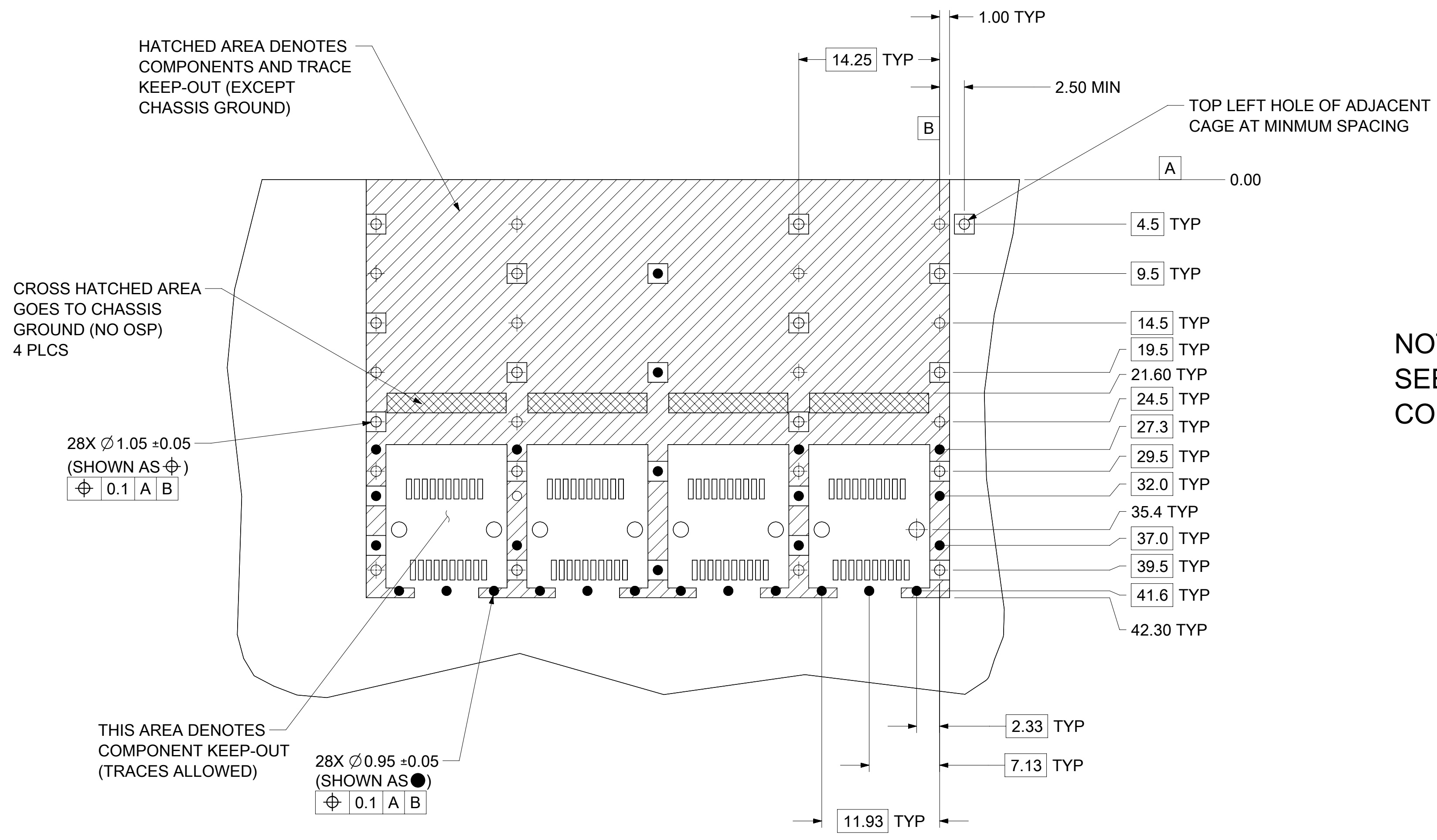


DETAIL 1
SCALE 8:1

- NOTES:
- PADS AND VIAS CONNECT TO CHASSIS GROUND (RECOMMENDED PADS TO BE 2.00mm SQUARE)
 - RECOMMENDED THRU HOLE PLATING INCLUDES HASL, OSP, OR IMMERSION (GOLD, SILVER, OR TIN)
 - CONNECTOR PAD LAYOUT PER SFP+ MSA WILL ACCOMMODATE MOLEX CONNECTOR SERIES 74441 OR EQUIVALENT
 - HOLE PATTERN REPEATS FOR EACH PORT, SPACING BETWEEN PORTS IS 14.25mm
 - MINIMUM PCB THICKNESS FOR SINGLE SIDED USE 1.57mm.

| | | | | | |
|--------------------|---|--------|--------------------------------------|-----------------|--|
| FUNCTIONAL SYMBOLS | THIS DRAWING CONTAINS INFORMATION THAT IS PROPRIETARY TO MOLEX ELECTRONIC TECHNOLOGIES, LLC AND SHOULD NOT BE USED WITHOUT WRITTEN PERMISSION | | CURRENT REV DESC: SEE REVISION TABLE | | |
| | DIMENSION UNITS | SCALE | | | |
| $\overline{A} = 0$ | mm | 3:1 | | | SFP+ 1X4 SF CAGE ASSY'S PRESS FIT, HEAT SINKS, WITH SUS EMI SPRING FINGERS |
| $\overline{C} = 0$ | GENERAL TOLERANCES (UNLESS SPECIFIED) | | | | |
| $\overline{P} = 0$ | ANGULAR TOL ± 1.0° | | | | PRODUCT CUSTOMER DRAWING |
| DIVISIONAL SYMBOLS | 4 PLACES | ± | EC NO: 706897 | 2022/05/04 | |
| | 3 PLACES | ± | DRWN: ABHILT2 | 2022/05/16 | |
| | 2 PLACES | ± 0.15 | CHK'D: TKUMARKC | 2022/05/19 | |
| | 1 PLACE | ± 0.25 | APPR: SCHIEN | | |
| | 0 PLACES | ± | INITIAL REVISION: | | |
| | DRAFT WHERE APPLICABLE MUST REMAIN WITHIN DIMENSIONS | | DRWN: ABHILT2 | 2022/05/04 | DOCUMENT NUMBER |
| | THIRD ANGLE PROJECTION | | APPR: SCHIEN | 2022/05/19 | 1111128320 |
| | DRAWING | | SERIES | MATERIAL NUMBER | CUSTOMER |
| | C-SIZE | | 111112 | SEE SHEET 3 | |
| | | | | | DOC TYPE DOC PART REVISION |
| | | | | | PSD ASY A |
| | | | | | SHEET NUMBER |
| | | | | | 4 OF 7 |

PCB LAYOUT FOR BELLY TO BELLY MOUNTING

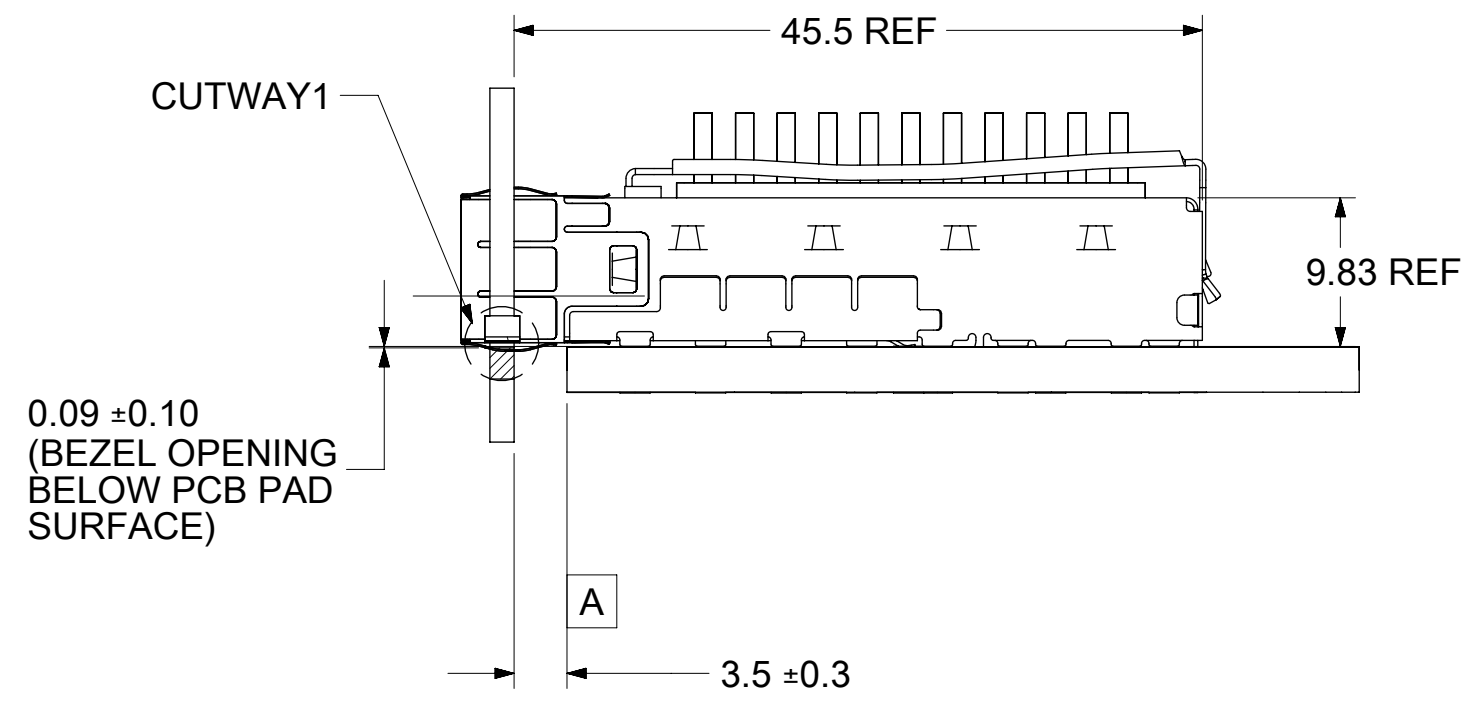
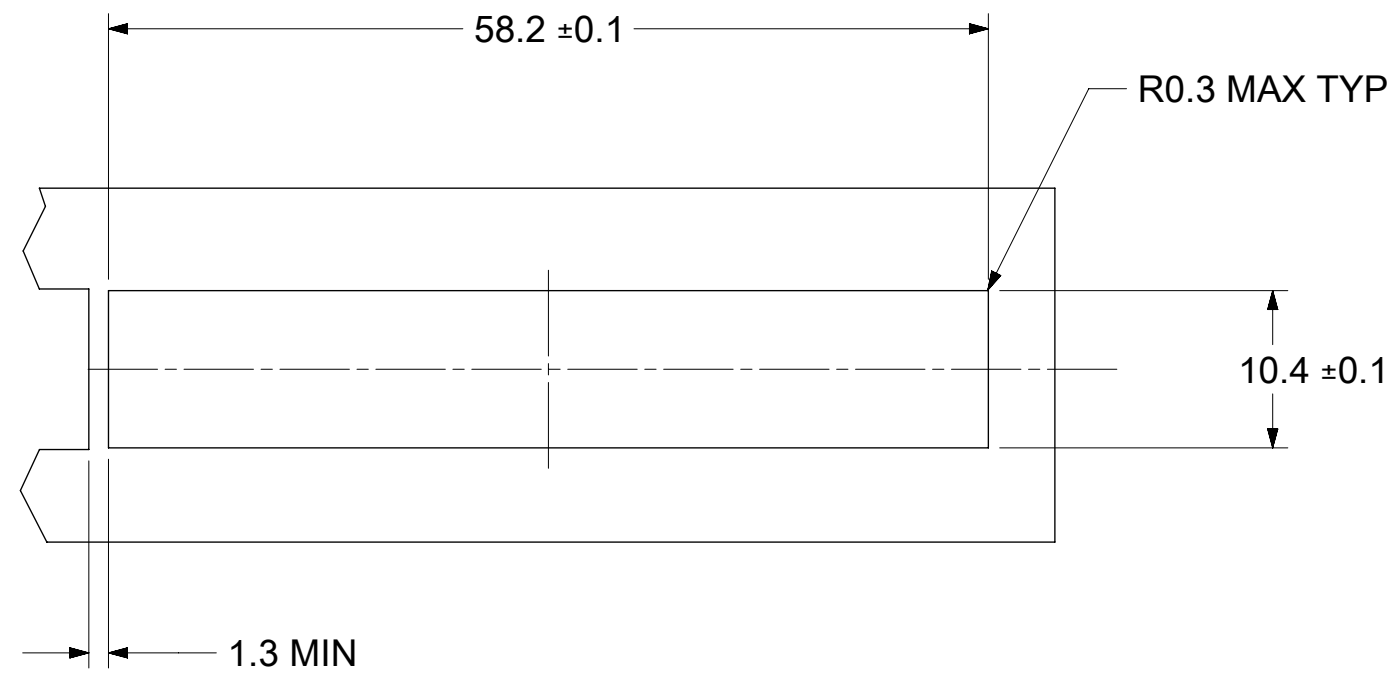


NOTE:
SEE SHEET 4 FOR HOST
CONNECTOR DETAIL

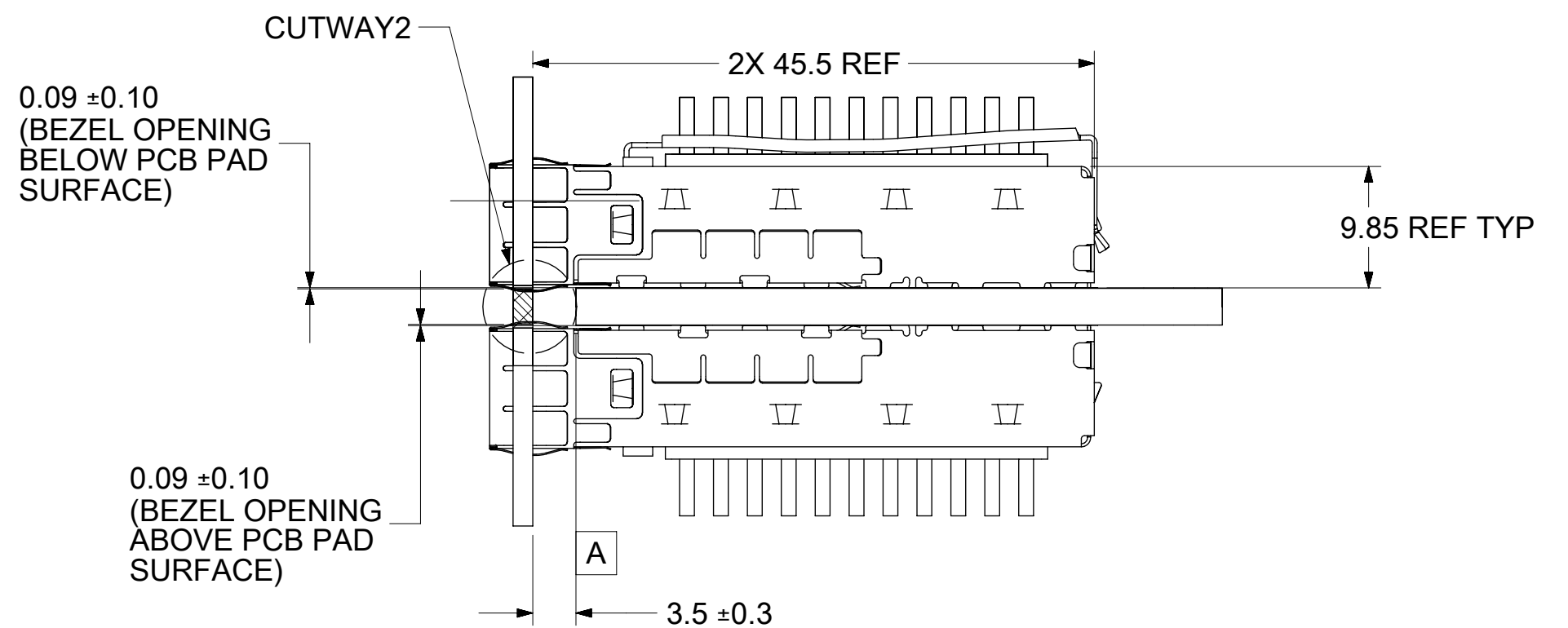
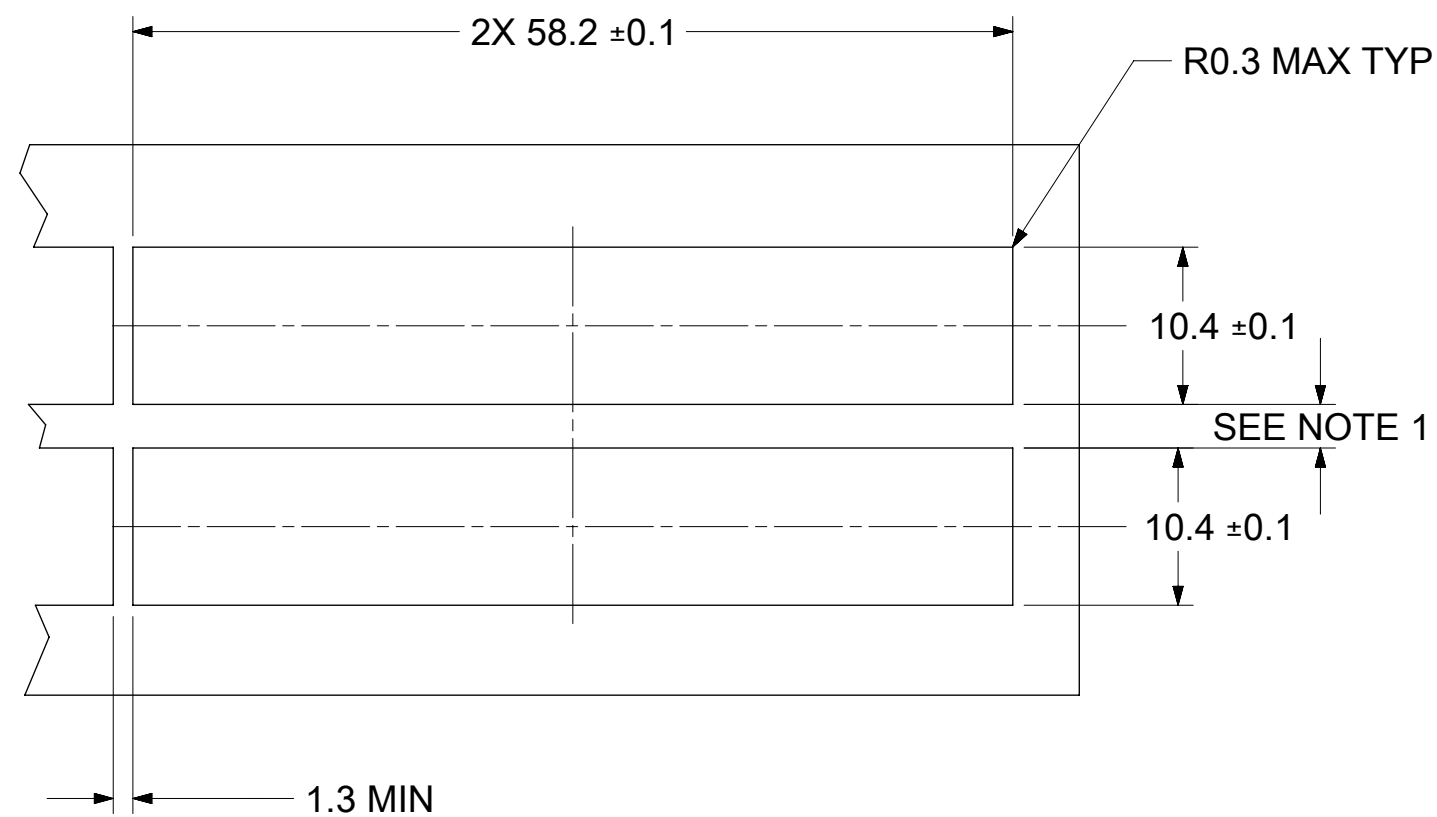
- NOTES:
1. PADS AND VIAS CONNECT TO CHASSIS GROUND (RECOMMENDED PADS TO BE 2.00mm SQUARE)
 2. RECOMMENDED THRU HOLE PLATING INCLUDES HASL, OSP, OR IMMERSION (GOLD, SILVER, OR TIN)
 3. CONNECTOR PAD LAYOUT PER SFP+ MSA WILL ACCOMMODATE MOLEX CONNECTOR SERIES 74441 OR EQUIVALENT
 4. HOLE PATTERN REPEATS FOR EACH PORT, SPACING BETWEEN PORTS IS 14.25mm
 5. MINIMUM PCB THICKNESS FOR BELLY TO BELLY USE 3.00mm.

| | | | | | |
|--------------------|---|--------|--------------------------------------|--|--|
| FUNCTIONAL SYMBOLS | THIS DRAWING CONTAINS INFORMATION THAT IS PROPRIETARY TO MOLEX ELECTRONIC TECHNOLOGIES, LLC AND SHOULD NOT BE USED WITHOUT WRITTEN PERMISSION | | CURRENT REV DESC: SEE REVISION TABLE | | molex |
| | DIMENSION UNITS | SCALE | | | |
| $\frac{F}{A} = 0$ | mm | 3:1 | | | SFP+ 1X4 SF CAGE ASSY'S PRESS FIT, HEAT SINKS, WITH SUS EMI SPRING FINGERS |
| $\frac{F}{C} = 0$ | GENERAL TOLERANCES (UNLESS SPECIFIED) | | | | |
| $\frac{F}{P} = 0$ | ANGULAR TOL ± 1.0° | | | | PRODUCT CUSTOMER DRAWING |
| DIVISIONAL SYMBOLS | 4 PLACES | ± | EC NO: 706897 | | |
| | 3 PLACES | ± | DRWN: ABHILT2 2022/05/04 | | |
| | 2 PLACES | ± 0.15 | CHK'D: TKUMARKC 2022/05/16 | | |
| | 1 PLACE | ± 0.25 | APPR: SCHIEN 2022/05/19 | | |
| | 0 PLACES | ± | INITIAL REVISION: | | |
| | DRAFT WHERE APPLICABLE MUST REMAIN WITHIN DIMENSIONS | | DRWN: ABHILT2 2022/05/04 | | DOCUMENT NUMBER |
| | THIRD ANGLE PROJECTION | | APPR: SCHIEN 2022/05/19 | | 1111128320 |
| | DRAWING | | SERIES | | DOC TYPE |
| | C-SIZE | | 111112 | | PSD |
| | MATERIAL NUMBER | | CUSTOMER | | ASY |
| | SEE SHEET 3 | | | | A |
| | SHEET NUMBER | | | | 5 OF 7 |

BEZEL AND BOARD POSITION DIMENSIONS FOR SINGLE SIDE MOUNTING (SPRING FINGER)



BEZEL AND BOARD POSITION DIMENSIONS FOR BELLY TO BELLY MOUNTING (SPRING FINGER)



NOTE:
 1. PCB THICKNESS VARIATION MUST BE CONSIDERED WHEN DETERMINING BEZEL OPENING LOCATION.
 2. CAGE LEG STANDOFF WILL PIERCE BELLY GASKET WHEN PROPERLY PRESSED INTO PCB.

| | | | | | | | | | | | |
|---------------------------|---|-------|--------------------------------------|--|------------|--|---|--|-------------|----------|--------------|
| FUNCTIONAL SYMBOLS | THIS DRAWING CONTAINS INFORMATION THAT IS PROPRIETARY TO MOLEX ELECTRONIC TECHNOLOGIES, LLC AND SHOULD NOT BE USED WITHOUT WRITTEN PERMISSION | | | | | | | | | | |
| $\frac{F}{A} = 0$ | DIMENSION UNITS | SCALE | CURRENT REV DESC: SEE REVISION TABLE | | | | | | | | |
| $\frac{F}{C} = 0$ | mm | 2:1 | molex | | | | | | | | |
| $\frac{F}{P} = 0$ | GENERAL TOLERANCES (UNLESS SPECIFIED) | | | | | | | | | | |
| DIVISIONAL SYMBOLS | ANGULAR TOL ± 1.0° | | EC NO: 706897 | | 2022/05/04 | | SFP+ 1X4 SF CAGE ASSY'S PRESS FIT, HEAT SINKS, WITH SUS EMI SPRING FINGERS | | | | |
| | 4 PLACES ± | | DRWN: ABHILT2 | | 2022/05/16 | | | | | | |
| | 3 PLACES ± | | CHK'D: TKUMARKC | | 2022/05/19 | | PRODUCT CUSTOMER DRAWING | | | | |
| | 2 PLACES ± 0.15 | | APPR: SCHIEN | | | | | | | | |
| | 1 PLACE ± 0.25 | | INITIAL REVISION: | | | | DOCUMENT NUMBER | | DOC TYPE | DOC PART | REVISION |
| | 0 PLACES ± | | DRWN: ABHILT2 | | 2022/05/04 | | 111128320 | | PSD | ASY | A |
| | DRAFT WHERE APPLICABLE MUST REMAIN WITHIN DIMENSIONS | | APPR: SCHIEN | | 2022/05/19 | | MATERIAL NUMBER | | CUSTOMER | | SHEET NUMBER |
| | | | THIRD ANGLE PROJECTION | | DRAWING | | SERIES | | SEE SHEET 3 | | 6 OF 7 |
| | | | | | C-SIZE | | 111112 | | | | |

H

H

| REV | DATE | DESCRIPTION |
|-----|------------|-----------------|
| A | 2022/05/04 | INITIAL RELEASE |
| | | |
| | | |
| | | |
| | | |
| | | |
| | | |

G

G

F

F

E

E

D

D

C

C

B

B

A

A

| | | | | | | | | | | | | | | |
|--|---|------------------------|--|--------|-----------------|----------|--------------|--|--|--------------------------|--|-----------------|-----|----------|
| FUNCTIONAL SYMBOLS | THIS DRAWING CONTAINS INFORMATION THAT IS PROPRIETARY TO MOLEX ELECTRONIC TECHNOLOGIES, LLC AND SHOULD NOT BE USED WITHOUT WRITTEN PERMISSION | | | | | | | | | | | | | |
| | DIMENSION UNITS | SCALE | CURRENT REV DESC: SEE REVISION TABLE | | | | | | | molex | | | | |
| $\frac{F}{A} = 0$ | mm | 1:1 | EC NO: 706897 DRWN: ABHILT2 2022/05/04 CHK'D: TKUMARKC 2022/05/16 APPR: SCHIEN 2022/05/19 INITIAL REVISION: DRWN: ABHILT2 2022/05/04 APPR: SCHIEN 2022/05/19 | | | | | | | | | DOCUMENT NUMBER | | DOC TYPE |
| $\frac{F}{C} = 0$ | GENERAL TOLERANCES (UNLESS SPECIFIED) | | | | | | | | | 111128320 | | PSD | ASY | A |
| $\frac{F}{P} = 0$ | ANGULAR TOL ± 1.0° | | | | | | | | | SEE SHEET 3 | | | | |
| DIVISIONAL SYMBOLS | 4 PLACES | ± | | | | | | | | PRODUCT CUSTOMER DRAWING | | | | |
| | 3 PLACES | ± | | | | | | | | | | | | |
| | 2 PLACES | ± 0.15 | | | | | | | | | | | | |
| | 1 PLACE | ± 0.25 | | | | | | | | | | | | |
| | 0 PLACES | ± | | | | | | | | | | | | |
| DRAFT WHERE APPLICABLE MUST REMAIN WITHIN DIMENSIONS | | THIRD ANGLE PROJECTION | DRAWING | SERIES | MATERIAL NUMBER | CUSTOMER | SHEET NUMBER | | | | | | | |
| | | | C-SIZE | 111112 | SEE SHEET 3 | | 7 OF 7 | | | | | | | |

FORMATS: mox-0-0000-C
REVISION: 01
DATE: 2019/05/01