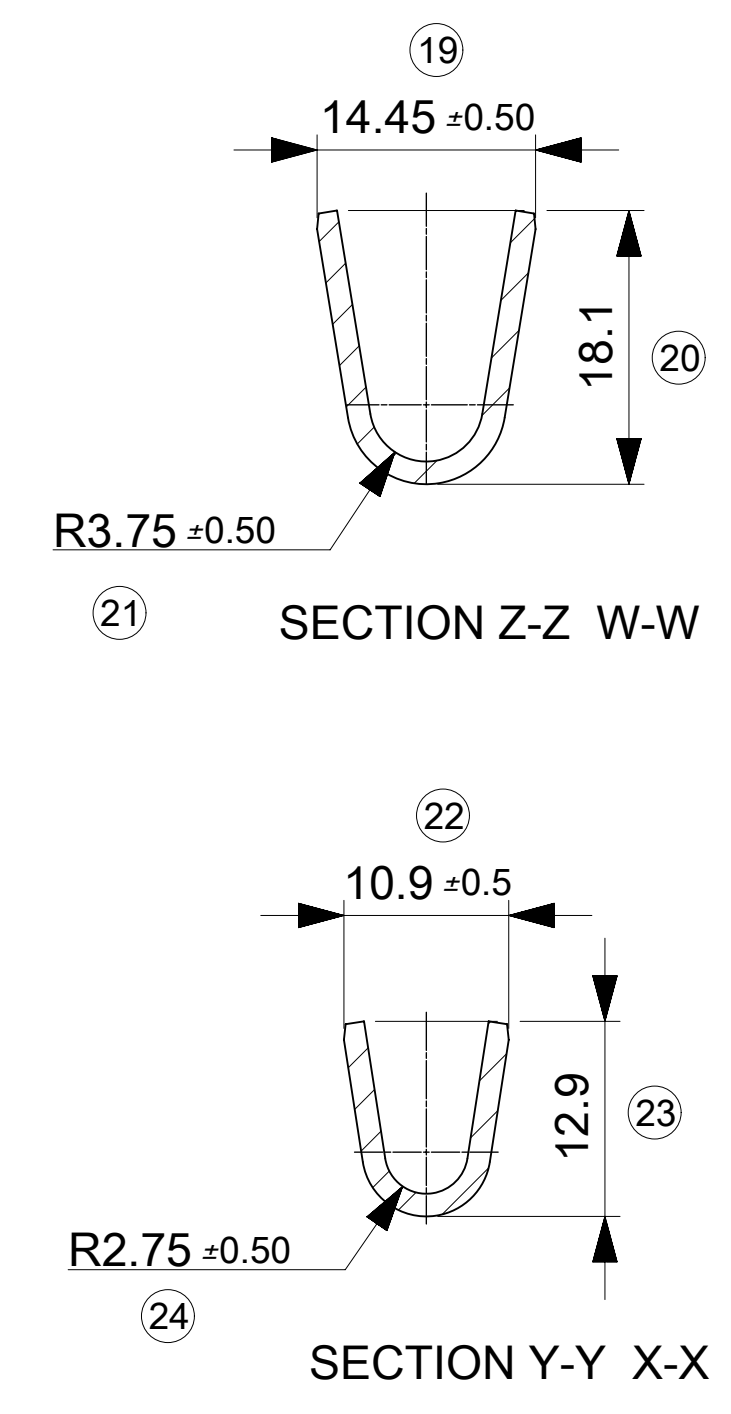


PART NUMBER	FORM
0988651019	A
0988651039	C

**PACKAGING**

SEE NOTE 4

**SECTIONS**



- NOTES:**
- 1 - MATERIAL : BRASS
  - 2 - PLATING : POST-TIN PLATED
  - 3 - CRIMPING RANGE (mm<sup>2</sup>) : 11.91 TO 27.49
  - 4 - PACKAGING : PARTS DELIVERED ON LOOSE (400 PER CARDBOARD BOX)
  - 5 - CRIMPING SPECIFICATION : AS-98865-001

INSPECTION BALLOON NUMBER LOG	
PER DRAWING REVISION :	A
LAST BALLOON NUMBER USED :	34
ADDED BALLOON NUMBERS :	NONE
REMOVED BALLOON NUMBERS :	NONE

B	OBSOLETE PART NO 0988651029
A	FIRST RELEASE

THIS DRAWING CONTAINS INFORMATION THAT IS PROPRIETARY TO MOLEX ELECTRONIC TECHNOLOGIES, LLC AND SHOULD NOT BE USED WITHOUT WRITTEN PERMISSION

DIMENSION UNITS	SCALE	CURRENT REV DESC:
mm	2:1	
GENERAL TOLERANCES (UNLESS SPECIFIED)		
4 PLACES ±	±	EC NO: 624787
3 PLACES ±	±	DRWN: VLOKESHA 2019/06/26
2 PLACES ±	±	CHK'D: GGA 2019/11/11
1 PLACE ±	0.3 ±	APPR: GGA 2019/11/11
0 PLACES ±	±	INITIAL REVISION:
ANGULAR TOL ±	3.0 °	DRWN: PBOSQUAIN 2014/04/22
DRAFT WHERE APPLICABLE MUST REMAIN WITHIN DIMENSIONS		APPR: OPLESSIS 2014/06/10
FIRST ANGLE PROJECTION	DRAWING	SERIES
	A1-SIZE	98865
MATERIAL NUMBER	CUSTOMER	SHEET NUMBER
SEE CHART	GENERAL MARKET	1 OF 1

**molex**

BENT DBLE RING TERM  
8.5X20.8X1.5 11.91 - 27.49

PRODUCT CUSTOMER DRAWING

DOCUMENT NUMBER: SD-98865-001 | DOC TYPE: PSD | DOC PART: 001 | REVISION: B