

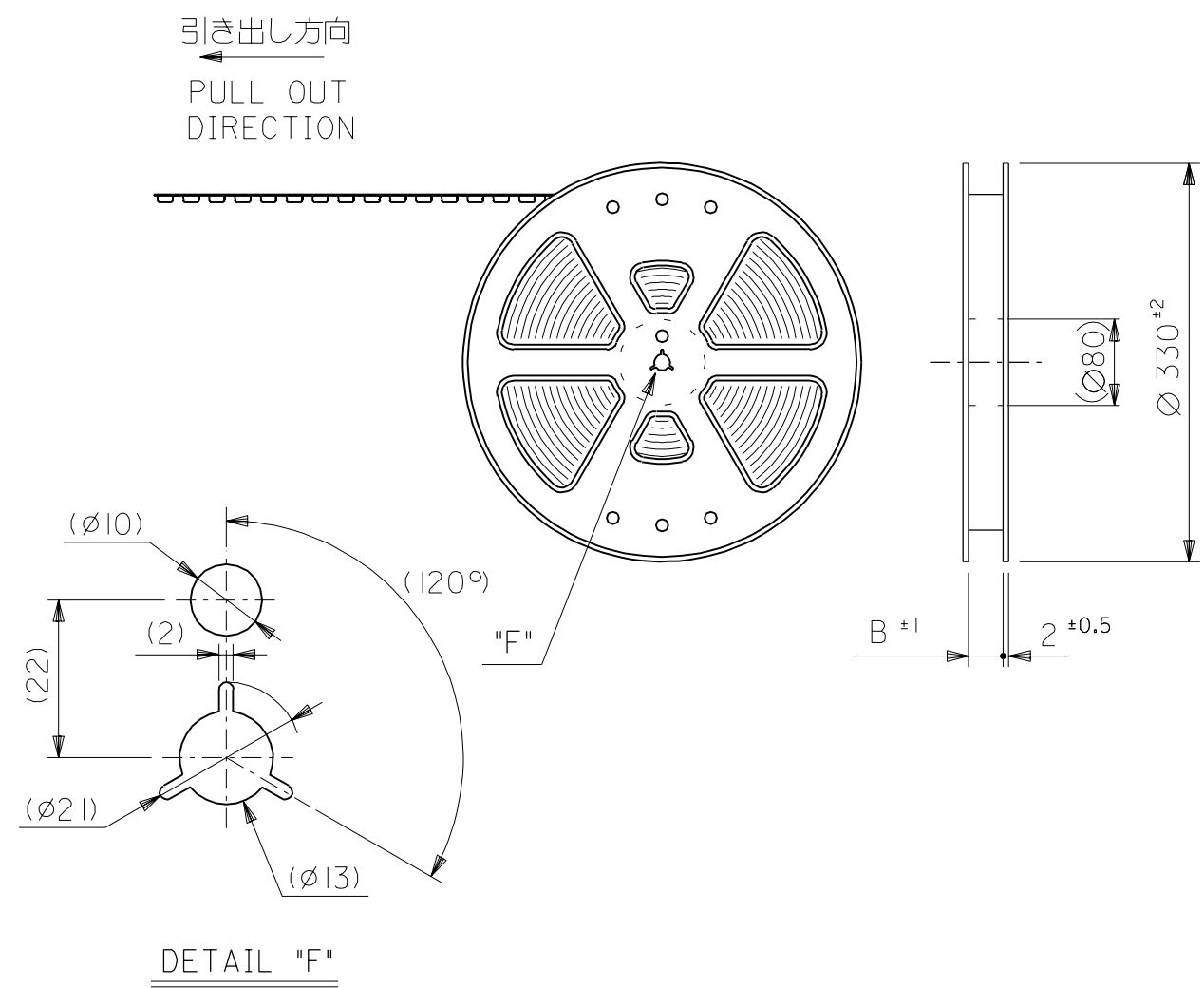
嵌合断面図 (参考)  
MATED DRAWING (REF.)

注記 NOTES:

1. 使用材料 MATERIAL  
 ウェハー : 液晶ポリマー ガラス充填 ,UL94V-0(黒)  
 WAFER : LIQUID CRYSTAL POLYMER  
 (GLASS FILLED), UL94V-0 (COLOR:BLACK)  
 ピン : 黄銅 (t=0.15)  
 PIN : BRASS(t=0.15)
2. メッキ仕様 PLATING  
 金メッキ 0.25 MICROMETER MINIMUM (コンタクト部)  
 GOLD 0.25 MICROMETER MINIMUM (CONTACT AREA).  
 金メッキ 0.4 MICROMETER MAXIMUM (テール部)  
 GOLD 0.4 MICROMETER MAXIMUM (TAIL AREA).  
 下地メッキ : ニッケルメッキ 1.5 MICROMETER MINIMUM  
 UNDER PLATING : NICKEL 1.5 MICROMETER MINIMUM.
3. (全極数/2) = 偶数の場合に適用。  
 APPLY FOR (CIRCUIT/2)=EVEN.
4. 嵌合相手 : 54722 シリーズ, 54037 シリーズ  
 MATE WITH : 54722 SERIES, 54037 SERIES.
5. テール平坦度は、0.1 MAXIMUM  
 TAIL COPLANARITY TO BE 0.1 MAXIMUM.

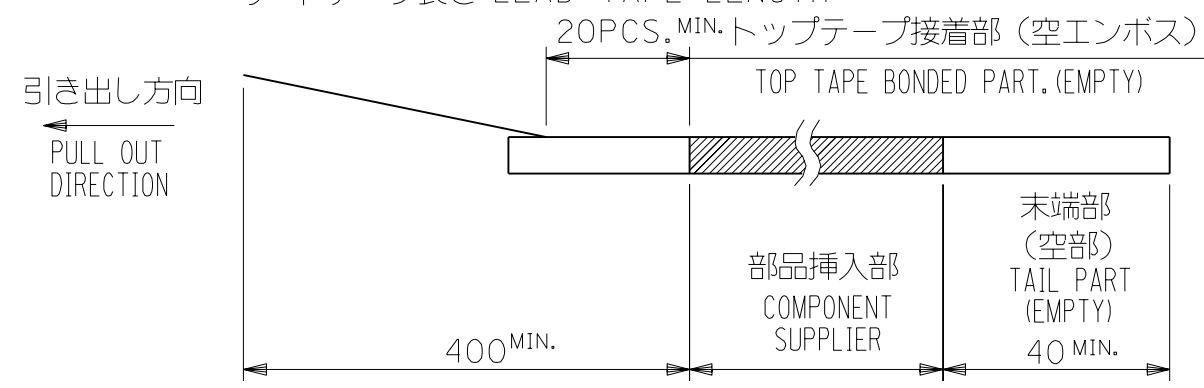
REVISED EC NO: J2012-0135 DRWN: YON002 CHKD: TASAKAWA APPR: MSASAO	DESCRIPTION 2011/07/01 2011/07/01 2011/07/29	GENERAL TOLERANCES (UNLESS SPECIFIED)		DIMENSION STYLE MM ONLY	SCALE ---	DESIGN UNITS METRIC	THIRD ANGLE PROJECTION	
		10 UNDER	± 0.20	DRAWN BY SAIHARA	DATE 2000/10/05	TITLE 0.5 B-T-O-B CONN PLUG ASSY (HGT=1.5)		
		10 OVER 30 UNDER	± 0.25	CHECKED BY MSASAO	DATE 2003/03/31	MOLEX INCORPORATED		
		30 OVER	± 0.30	APPROVED BY MSASAO	DATE 2003/03/31	MATERIAL NO. SEE SHEET 1	DOCUMENT NO. SD-55560-006	SHEET NO. 2 OF 2
K	REV	ANGULAR ±3 ° DRAFT WHERE APPLICABLE MUST REMAIN WITHIN DIMENSIONS		THIS DRAWING CONTAINS INFORMATION THAT IS PROPRIETARY TO MOLEX INCORPORATED AND SHOULD NOT BE USED WITHOUT WRITTEN PERMISSION				

DWG. NO. SD-55560-008

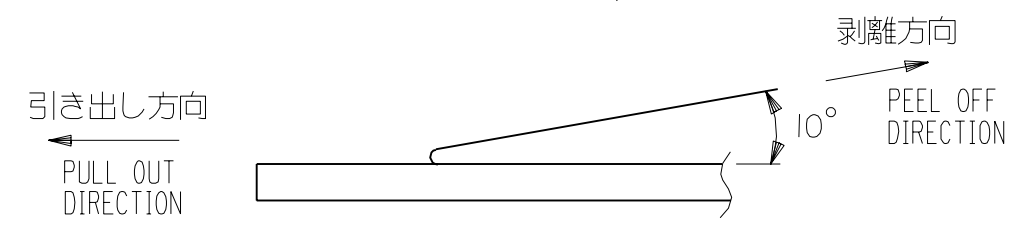


NOTES

- 製品詳細寸法については図面 SD-55560-006 を参照下さい。  
RE DETAILED DIMENSION, SEE SD-55560-006
- 梱包数量：2000個/リール  
NUMBER OF CONNECTORS : 2000PCS/REEL
- リードテープ長さ LEAD TAPE LENGTH



- トップテープの剥離強度：0.1N ~ 0.7N (10.2gf ~ 71.4gf)  
(剥離方向は下図参照)  
尚、本規格値は出荷時に適用。(但し、輸送時に剥離が発生しないこと。)  
PEELING OFF FORCE OF TOP TAPE : 0.1N ~ 0.7N (10.2gf ~ 71.4gf)  
(PEELING DIRECTION AS SHOWN IN FOLLOWING FIG.)  
THIS REQUIREMENT SHOULD BE APPLIED AT SHIPMENT.  
PEEL OFF SHOULD NOT BE ALLOWED , DURING TRANSPORTATION.



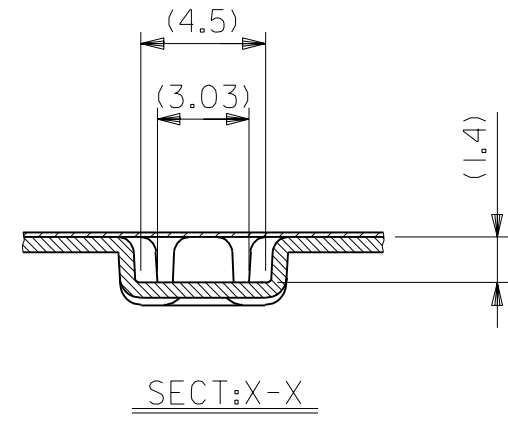
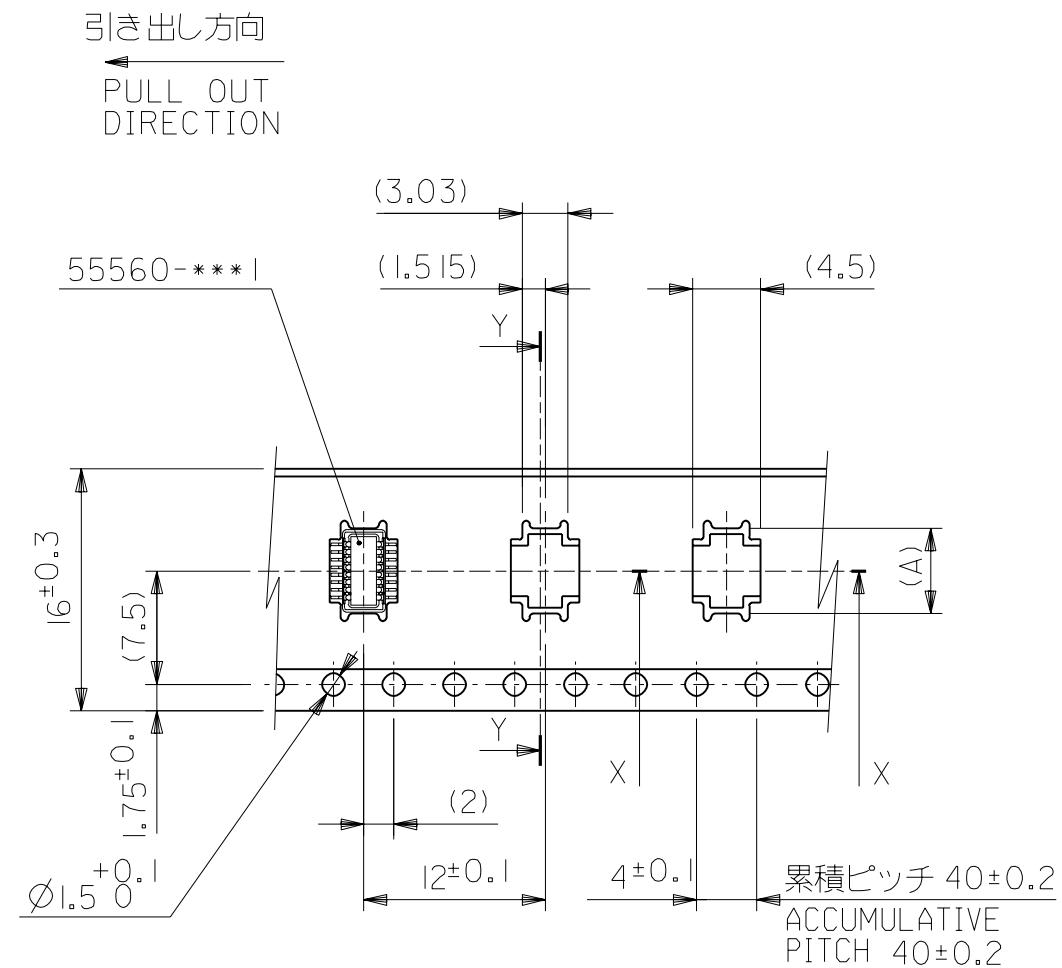
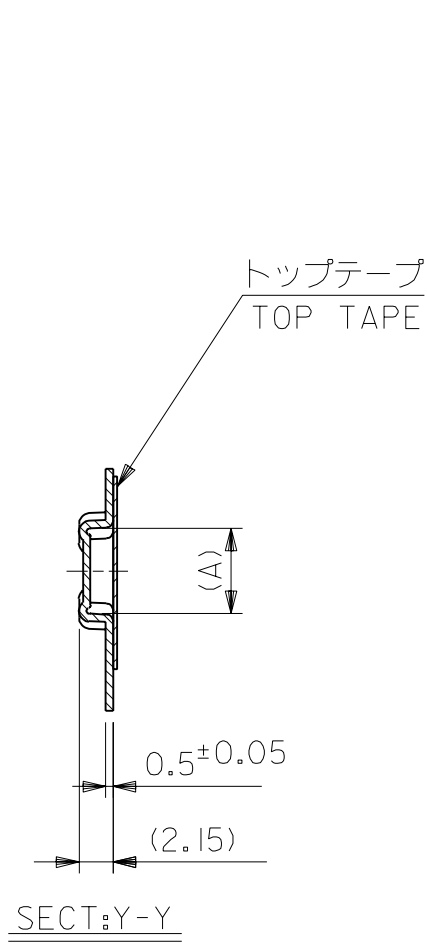
- 材料  
キャリアテープ：ポリプロピレン (PP)  
トップテープ：PET, PE, PEF  
リール：ポリスチレン (PS) <リサイクル材を含む>

MATERIAL CARRIER TAPE:POLYPROPYLENE  
TOP TAPE:PET,PE,PEF  
REEL:POLYSTYREN(PS)  
<RECYCLE MATERIAL CONTAINED>

DO NOT SCALE DRAWING

064NO. DRWN: CH'K: APPR:	063NO. DRWN: CH'K: APPR:	062NO. DRWN: CH'K: APPR:	REVISED 061NO. JC2001-0604 DRWN: R.SHIINA '01/01/30 CH'K: T.IITO APPR: M.FUKUSHIMA	PROPOSED 060NO. JC2001-0402 DRWN: S.AIHARA '00/11/28 CH'K: T.IITO APPR: M.FUKUSHIMA	MATERIAL 材料 注記参照 SEE NOTES	GENERAL TOLERANCES: (UNLESS SPECIFIED) 一般公差	SCALE //	MODEL NO. 55560-***8	DIMENSIONS: <input type="checkbox"/> mm <input type="checkbox"/> INCH <input checked="" type="checkbox"/> mm ONLY	SHT REV
			10 UNDER 未満	±0.2	DRAWN BY & DATE S.AIHARA '00/11/28	TITLE: 0.5 B-To-B Conn PLUG Assy (Hgt=1.5) Embstp Pkg	22.5° 22.5° PROJECTION	ADVISE ON CAD ONLY		
			10 OVER 以上 30 UNDER 未満	±0.25	CHECKED BY & DATE T.IITO '01/01/30	MOLEX INCORPORATED	MATERIAL NO. DRAWING NO.	SHEET NO.		
			30 OVER 以上	±0.3	APPROVED BY & DATE M.FUKUSHIMA '01/01/30	CAD FILENAME 55560008.S01	SEE CHART SD-55560-008	1 OF 3		
WIRE RANGE 適用電線範囲	//	ANGLE 角度	±3°	THIS DRAWING CONTAINS INFORMATION THAT IS PROPRIETARY TO MOLEX INCORPORATED AND SHOULD NOT BE USED WITHOUT WRITTEN PERMISSION.			SIZE B			
INS. RANGE 被覆外径	//				EN-02J(097) MXJ-54					

55560008.S01



16mm幅キャリアテープ  
16mm WIDTH CARRIER TAPE

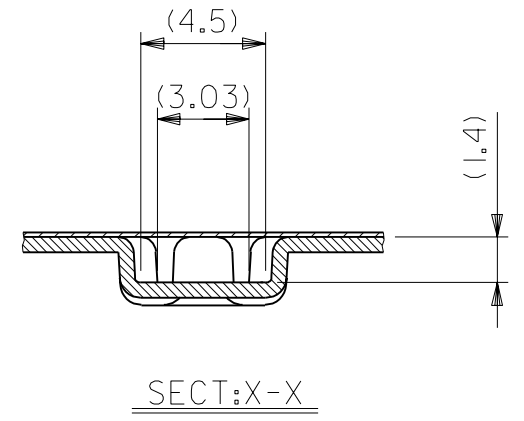
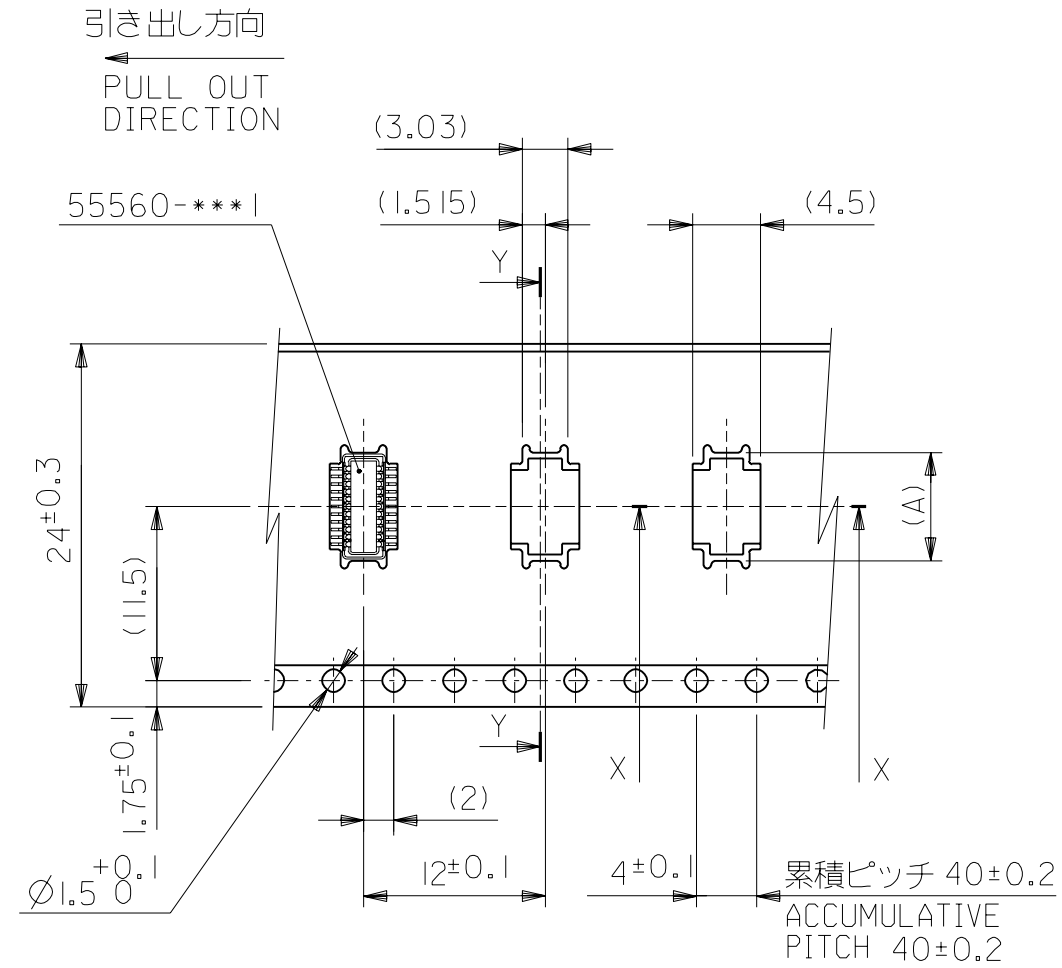
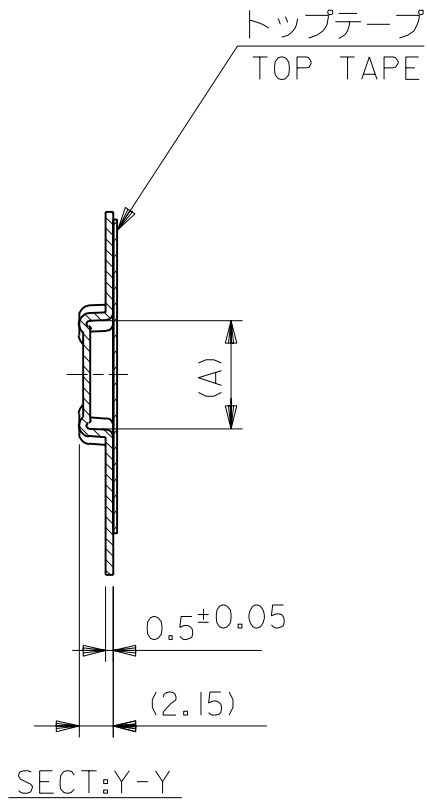
16	17.5	5.65	55560-0168	16
キャリアテープ幅 CARRIER TAPE WIDTH	B	(A)	MATERIAL NO.	極数 CIRCUIT
MODEL NO.	55560-***8		DIMENSIONS:	SHT REV
	<input type="checkbox"/> mm	<input type="checkbox"/> INCH	<input checked="" type="checkbox"/> mm	<input checked="" type="checkbox"/> INCH
	<input type="checkbox"/> mm	<input type="checkbox"/> mm	<input checked="" type="checkbox"/> ONLY	<input checked="" type="checkbox"/> CAD ONLY

DO NOT SCALE DRAWING

REV	DESCRIPTION	MATERIAL 材料	GENERAL TOLERANCES: (UNLESS SPECIFIED) 一般公差
A	REVISED JC2001-0604 DRWN: R.SHIINA '01/01/30 CH'K: T.ITO APPR: M.FUKUSHIMA	SHEET 1 OF 3 参照 REFER TO SHEET 1 OF 3	10 UNDER 未満 ±0.2
O	PROPOSED JC2001-0402 DRWN: S.AIHARA '00/11/28 CH'K: T.ITO APPR: M.FUKUSHIMA	FINISH 仕上げ	10 OVER 以上 30 UNDER 未満 ±0.25
		WIRE RANGE 適用電線範囲	30 OVER 以上 ±0.3
		INS. RANGE 被覆外径	ANGLE 角度 ±3°

SCALE	DESIGN UNITS	PROJECTION	TITLE:
//	<input checked="" type="checkbox"/> mm <input type="checkbox"/> INCH	<input checked="" type="checkbox"/> FIRST ANGLE	0.5 B-To-B Conn PLUG Assy (Hgt=1.5) Embstp Pkg
DRAWN BY & DATE S.AIHARA '00/11/28		APPROVED BY & DATE M.FUKUSHIMA '01/01/30	
CHECKED BY & DATE T.ITO '01/01/30		MATERIAL NO. SEE CHART	
APPROVED BY & DATE M.FUKUSHIMA '01/01/30		DRAWING NO. SD-55560-008	
CAD FILENAME 55560008.S02		SHEET NO. 2 OF 3	

DRAWING NO. SD-55560-008		SHEET NO. 2 OF 3	
THIS DRAWING CONTAINS INFORMATION THAT IS PROPRIETARY TO MOLEX INCORPORATED AND SHOULD NOT BE USED WITHOUT WRITTEN PERMISSION.			
SIZE B			55560008.S02



24mm幅キャリアテープ  
24mm WIDTH CARRIER TAPE

24	25.5	7.15	55560-0228	22
キャリアテープ幅 CARRIER TAPE WIDTH	B	(A)	MATERIAL NO.	極数 CIRCUIT
MODEL NO.	55560-***8		DIMENSIONS:	SHT REV

DO NOT SCALE DRAWING

064NO. DRWN: CH'K: APPR:	063NO. DRWN: CH'K: APPR:	062NO. DRWN: CH'K: APPR:	REVISED 061NO. JC2001-0604 DRWN: R.SHIINA '01/01/30 CH'K: T.IITO APPR: M.FUKUSHIMA	PROPOSED 060NO. JC2001-0402 DRWN: S.AIHARA '00/11/28 CH'K: T.IITO APPR: M.FUKUSHIMA	MATERIAL 材料 SHEET 1 OF 2 参照 REFER TO SHEET 1 OF 2	GENERAL TOLERANCES: (UNLESS SPECIFIED) 一般公差	SCALE 1:1	DESIGN UNITS <input checked="" type="checkbox"/> mm <input type="checkbox"/> INCH	<input checked="" type="checkbox"/> FIRST ANGLE <input type="checkbox"/> THIRD ANGLE PROJECTION	DRAWN BY & DATE S.AIHARA '00/11/28	TITLE: 0.5 B-To-B Conn PLUG Assy (Hgt=1.5) Embstp Pkg
			FINISH 仕上げ	WIRE RANGE 適用電線範囲	ANGLE 角度	DRAWN BY & DATE T.IITO '01/01/30	CHECKED BY & DATE M.FUKUSHIMA '01/01/30	MOLEX MOLEX INCORPORATED			
			INS. RANGE 被覆外径	CAD FILENAME 55560008.S03	MATERIAL NO. SEE CHART	DRAWING NO. SD-55560-008	SHEET NO. 3 OF 3	THIS DRAWING CONTAINS INFORMATION THAT IS PROPRIETARY TO MOLEX INCORPORATED AND SHOULD NOT BE USED WITHOUT WRITTEN PERMISSION.			
			REV	SIZE B	EN-02J(097) MXJ-54						

55560008.S03