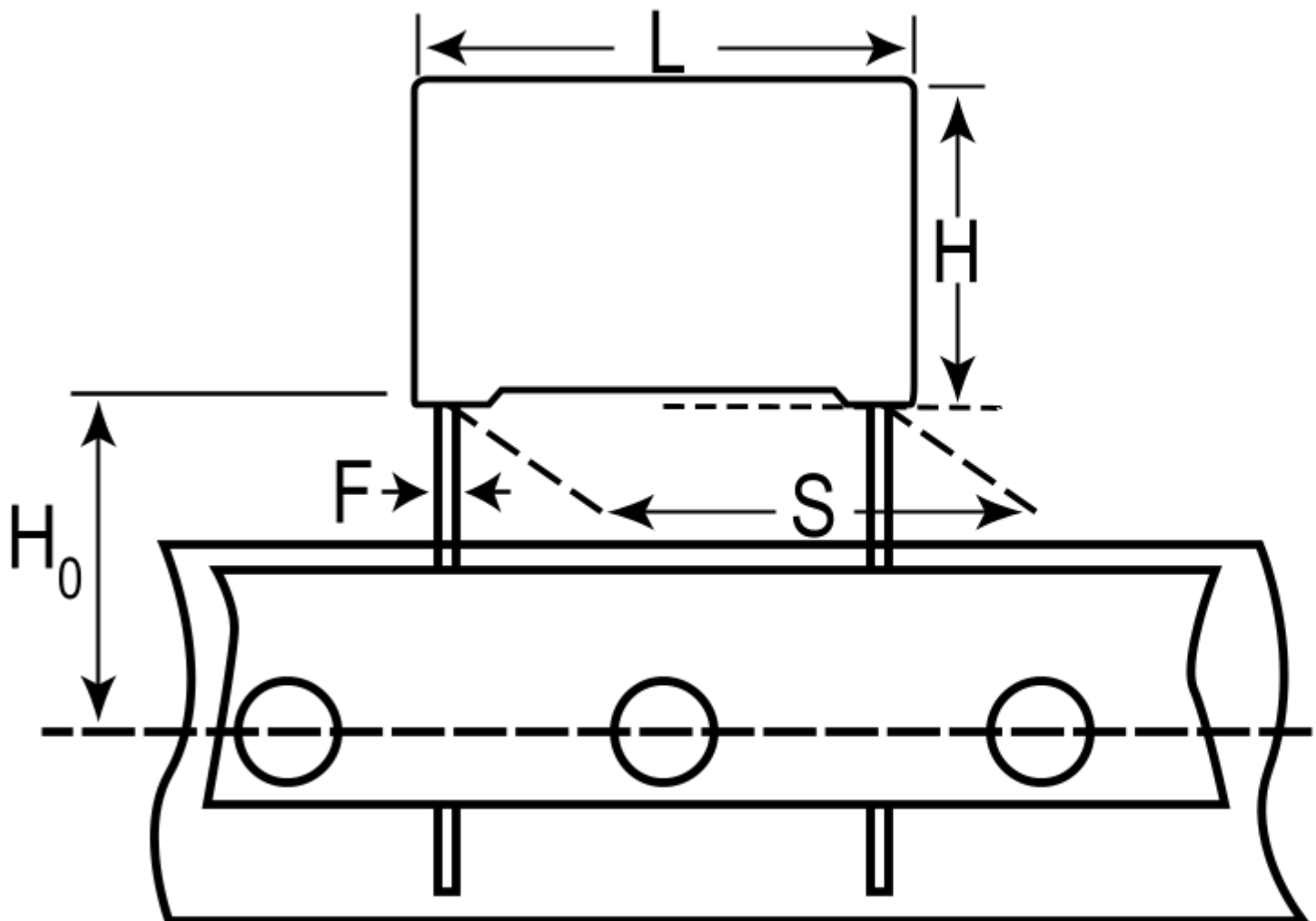


R60EI4100CK30J

Aliases (60EI4100CK30J)

R60, Film, Metallized Polyester, Automotive Grade, 1 uF, 5%, 100 VDC, 85°C, Lead Spacing = 15mm



Click [here](#) for the 3D model.

Dimensions

L 18mm +0.3mm

H 11mm +0.1mm

T 5mm +0.2mm

Dimensions

S 15mm +/-0.4mm
H0 18.5mm +/-0.5mm
F 0.8mm +/-0.05mm

Packaging Specifications

Packaging T&R, 500mm
Packaging Quantity 1250

General Information

Series R60
Dielectric Metallized Polyester
Style Radial
Features Automotive Grade, DC Multipurpose Applications
RoHS Yes
Lead Wire Leads
Qualifications AEC-Q200
AEC-Q200 Yes
Component Weight 1.5 g
Miscellaneous Upper Operating Temperature Of 125C Is Allowed For A Maximum Operating Time Of 1,000 Hours. Above 85C, DC And AC Voltage Derating Is 1.25%/C.

Specifications

Capacitance 1 uF
Capacitance Tolerance 5%
Voltage AC 63 VAC
Voltage DC 100 VDC
Temperature Range -55/+105°C
Rated Temperature 85°C
Dissipation Factor 1% 1kHz
Insulation Resistance 1.25 GOhms
Max dV/dt 3 V/us
Inductance 10 nH

Statements of suitability for certain applications are based on our knowledge of typical operating conditions for such applications, but are not intended to constitute - and we specifically disclaim - any warranty concerning suitability for a specific customer application or use. This Information is intended for use only by customers who have the requisite experience and capability to determine the correct products for their application. Any technical advice inferred from this Information or otherwise provided by us with reference to the use of our products is given gratis, and we assume no obligation or liability for the advice given or results obtained.

Generated 5/18/2023 - b106df76-d359-442b-8a08-40b5af6b462f
© 2006 - 2023 KEMET
Generated 5/18/2023 - b106df76-d359-442b-8a08-40b5af6b462f
© 2006 - 2023 KEMET