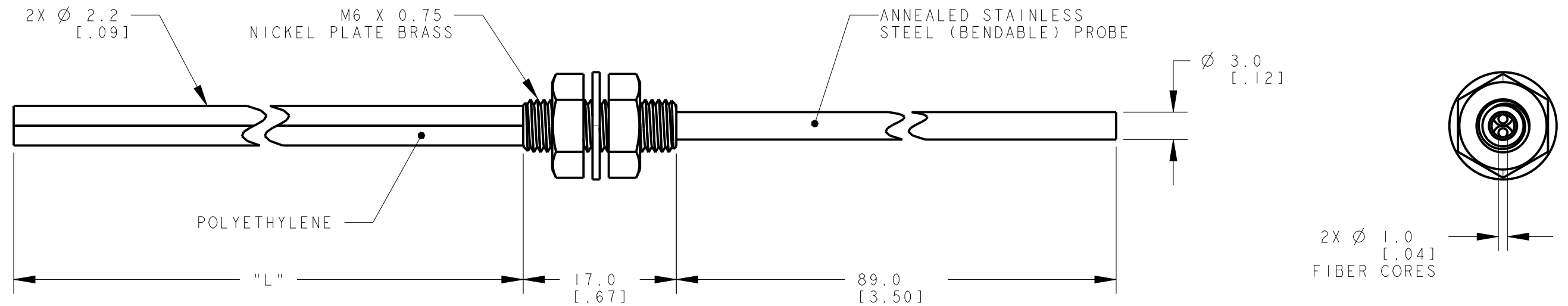


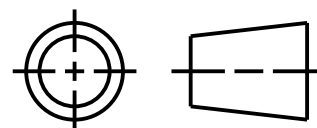
8	7	6	5	4	3	2	1
MODEL NO.	"L"	P/N	*SUFFIX 'HF' DENOTES HIGH-FLEX FIBER CABLE-VERY SMALL BEND RADIUS PERMISSIBLE BEFORE TRANSMISSION LOSS. PROBE LENGTHS < 18mm[.7 in] ARE NOT BENDABLE.				
PBP46UHF	2000 [79]	51788					
PBP415UHF	5000 [197]	61196					



NOTES:
 1. ALL DIMENSIONS ARE MILLIMETERS [INCHES] UNLESS OTHERWISE NOTED.
 2. REFER TO "www.bannerengineering.com" FOR ADDITIONAL DATA AND SPECIFICATIONS.

This drawing is the property of BANNER ENGINEERING CORP. Any use or reproduction, in any form, without prior written permission of Banner is prohibited.
 © 2015 Banner Engineering Corp.

THIRD ANGLE PROJECTION



		BANNER ENGINEERING CORP. www.bannerengineering.com	
TITLE			
PBP4 HF SERIES UNTERMINATED			
SIZE	DRAWING NO.	REV.	
B	192794	A	
SCALE	SHEET		OF
2:1	1		1

CREO