	Date	20-July-2018	<b>SPECIFICATION</b>	OLE WOLFF
	Page	1 / 6		www.owolff.com
	CN	P/N: OWMB-1295P-24-5		Revision: 00

## SPECIFICATION FOR APPROVAL

### Electro-Magnetic Transducer

Part Number	OWMB-1295P-24-5
Note	This item was compliance with the following requirements: 1. RoHS directive
Customer P/N	


Ole Wolff	Signature / Date	Prepared	Checked	Approved
		Davy Liu 2018.07.20		

Customer	Signature / Date	Confirmation		

#### REVISION NOTES:

Date	Rev.	Description of Revision
2018.07.20	00	Initial Release

OLE WOLFF ELEKTRONIK A/S Roedengvej 25 4180 Soroe Denmark  TEL: +45 57833830 FAX: +45 57820019	OLE WOLFF ELECTRONICS INC. 1525 McCarthy Blvd, Suite 1093 Milpitas, Ca 95035 USA  TEL: +1 408 888 8413	OLEWOLFF ELEKTRONIK GmbH Schulstrasse 15A. DE-25451 Quickborn. Germany  TEL: +49 (0) 4106 765900 FAX: +49 (0) 4106 627297	OLEWOLFF ELECTRONICS 3 Bedford Street, Woburn, Bedfordshire MK17 9QB, ENGLAND  TEL: +44 (0) 1525 290755 FAX: +44 (0) 1525 290855	OLE WOLFF ELEKTRONIK Yliopistonkatu 26 (P.O.BOX 257) FI-40101 Jyväskylä Finland  TEL: +358 14 338 3050 FAX: +358 14 338 3059	OLE WOLFF (ASIA) LTD. Unit B, 19/F., Bold Win Ind. Bldg., No. 16-18 Wah Sing St., Kwai Chung, N.T., H.K.  TEL: +852 2424 3274 FAX: +852 2424 2219	OLE WOLFF LTD. 5 Floor, Block G, WenTao Industrial Park, YingRenShi, Bao'an District, Shenzhen, PRC  TEL: +86 755 82612542 TEL: +86 755 26406156
---	---	--	--	--	--	---

	<b>Date</b>	<b>20-July-2018</b>	<b>SPECIFICATION</b>	<b>OLE WOLFF</b>
	<b>Page</b>	<b>2 / 6</b>		<b>www.owolff.com</b>
	<b>CN</b>	<b>P/N: OWMB-1295P-24-5</b>		<b>Revision: 00</b>

## 1. SCOPE

THIS SPECIFICATION IS APPLIED TO OLE WOLFF SMD ELECTRO-MAGNETIC TRANSDUCER UNIT OF MODEL: OWMB-1295P-24-5

## 2. GENERAL REQUIREMENTS

OPERATING TEMPERATURE RANGE: -40°C ~ +85°C

STORAGE TEMPERATUR RANGE: -40°C ~ +90°C

## 3. MECHANICAL LAYOUT & DIMENSIONS

DIMENSIONS: SHOWN IN FIGURE 3.

WEIGHT: 2g


## 4. ELECTRICAL CHARACTERISTICS

NO.	ITEM	SPECIFICATION
1	RATED VOLTAGE	5V
2	OPERATING VOLTAGE	3~7V
3	*RESONANT FREQUENCY	2400 ± 300Hz
4	* SOUND OUTPUT AT 10cm	≥85dB
5	*RATED CURRENT	≤30mA
6	HOUSING MATERIAL	PBT

\*Applying rated voltage (VDC)

☆Test basic state: Temp(20±2°C) , Humidity(40~70%RH) , Air pressure(860~1060hPa).

OLE WOLFF ELEKTRONIK A/S Roedengvej 25 4180 Soroe Denmark  TEL: +45 57833830 FAX: +45 57820019	OLE WOLFF ELECTRONICS INC. 1525 McCarthy Blvd, Suite 1093 Milpitas, Ca 95035 USA  TEL: +1 408 888 8413	OLEWOLFF ELEKTRONIK GmbH Schulstrasse 15A. DE-25451 Quickborn. Germany  TEL: +49 (0) 4106 765900 FAX: +49 (0) 4106 627297	OLEWOLFF ELECTRONICS 3 Bedford Street, Woburn, Bedfordshire MK17 9QB, ENGLAND  TEL: +44 (0) 1525 290755 FAX: +44 (0) 1525 290855	OLE WOLFF ELEKTRONIK Yliopistonkatu 26 (P.O.BOX 257) FI-40101 Jyväskylä Finland  TEL: +358 14 338 3050 FAX: +358 14 338 3059	OLE WOLFF (ASIA) LTD. Unit B, 19/F, Bold Win Ind. Bldg., No. 16-18 Wah Sing St., Kwai Chung, N.T., H.K.  TEL: +852 2424 3274 FAX: +852 2424 2219	OLE WOLFF LTD. 5 Floor, Block G, WenTao Industrial Park, YingRenShi, Bao'an District, Shenzhen, PRC  TEL: +86 755 82612542 TEL: +86 755 26406156
---	---	--	--	--	---	---

	<b>Date</b>	<b>20-July-2018</b>	<b>SPECIFICATION</b>	<b>OLE WOLFF</b>
	<b>Page</b>	<b>3 / 6</b>		<b>www.owolff.com</b>
	<b>CN</b>	<b>P/N: OWMB-1295P-24-5</b>		<b>Revision: 00</b>

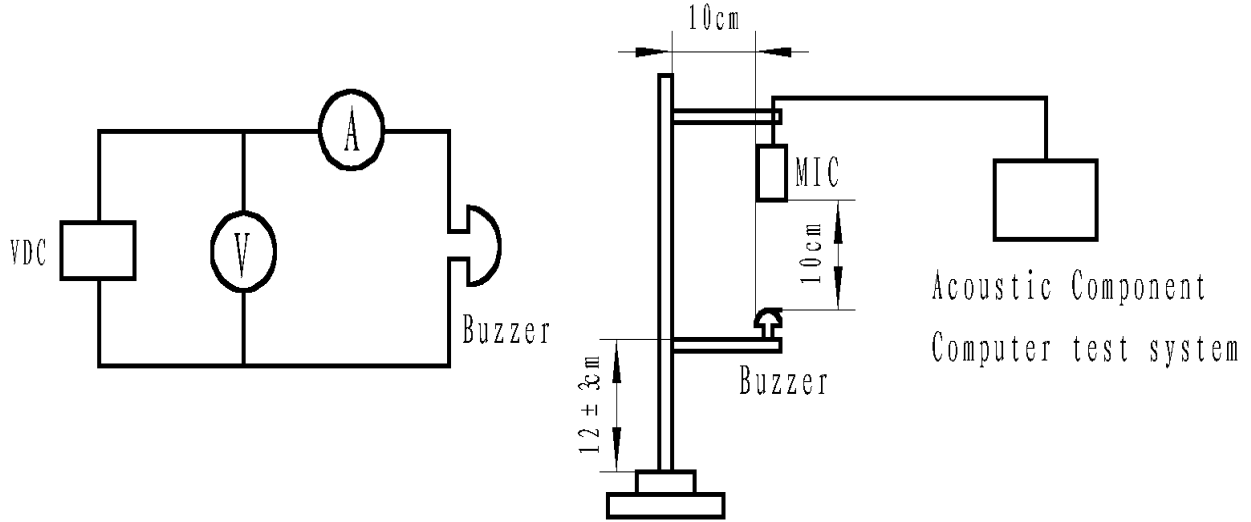
## 5. RELIABILITY TEST

- <b>After Test</b> All specifications must be satisfied after the test.				
<b>5.1 High temperature Test</b> Temperature: +90±2°C Duration: 96HRS				
<b>5.2 Low temperature Test</b> Temperature: -40±2°C Duration: 96HRS				
<b>5.3 Humidity Test</b> Temperature: +40±2°C Humidity: 90~95% RH Duration: 96HRS				
<b>5.4 Temperature cycling Test</b> Temperature: -40±2°C      room temp.      +90±2°C      room temp. Duration: 30min      15min      30min      15min Cycle: 5 cycles				
<b>5.5 Vibration Test</b> Make the test for the directions of X Y and Z (total 0.5 hours). To-and-fro. sweep time (from 10 to 55 Hz and then from 55 to 10 Hz) under single amplitude of 1.0mm is 1 minute.				
<b>5.6 Drop test</b> 3 times from height of 70cm onto the surface of 10mm thick wooden board.				
<b>5.7 Solder heat resistance</b> The part leads (pins) shall be immersed in molten solder maintained at 260±5°C for a period of 10 seconds.Refer to GB2423.28.				
<b>Warranty:</b> For a period of one year from date of manufacture under normal operations.				

OLE WOLFF ELEKTRONIK A/S Roedengvej 25 4180 Soroe Denmark  TEL: +45 57833830 FAX: +45 57820019	OLE WOLFF ELECTRONICS INC. 1525 McCarthy Blvd, Suite 1093 Milpitas, Ca 95035 USA  TEL: +1 408 888 8413	OLEWOLFF ELEKTRONIK GmbH Schulstrasse 15A. DE-25451 Quickborn. Germany  TEL: +49 (0) 4106 765900 FAX: +49 (0) 4106 627297	OLEWOLFF ELECTRONICS 3 Bedford Street, Woburn, Bedfordshire MK17 9QB, ENGLAND  TEL: +44 (0) 1525 290755 FAX: +44 (0) 1525 290855	OLE WOLFF ELEKTRONIK Yliopistonkatu 26 (P.O.BOX 257) FI-40101 Jyväskylä Finland  TEL: +358 14 338 3050 FAX: +358 14 338 3059	OLE WOLFF (ASIA) LTD. Unit B, 19/F., Bold Win Ind. Bldg., No. 16-18 Wah Sing St., Kwai Chung, N.T., H.K.  TEL: +852 2424 3274 FAX: +852 2424 2219	OLE WOLFF LTD. 5 Floor, Block G, WenTao Industrial Park, YingRenShi, Bao'an District, Shenzhen, PRC  TEL: +86 755 82612542 TEL: +86 755 26406156
---	---	--	--	--	--	---

	<b>Date</b>	<b>20-July-2018</b>	<b>SPECIFICATION</b>	<b>OLE WOLFF</b>
	<b>Page</b>	<b>4 / 6</b>		<b>www.owolff.com</b>
	<b>CN</b>	<b>P/N: OWMB-1295P-24-5</b>		<b>Revision: 00</b>

**6. TEST METHOD (Figure 1)**

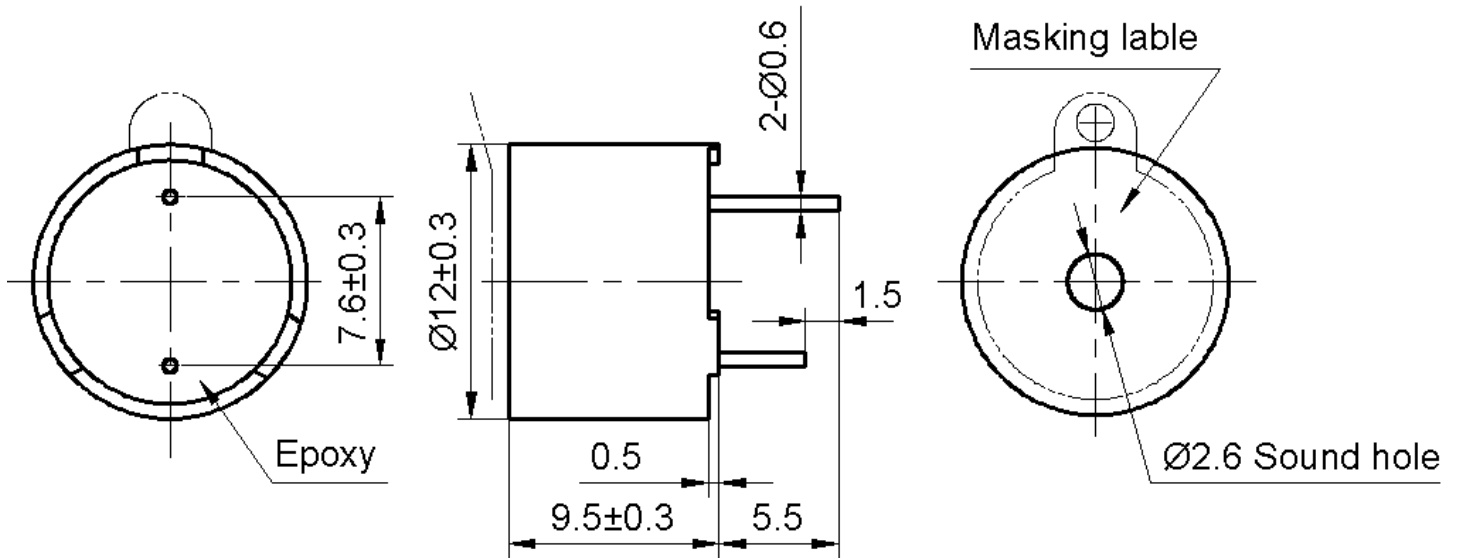


OLE WOLFF ELEKTRONIK A/S Roedengvej 25 4180 Soroe Denmark TEL: +45 57833830 FAX: +45 57820019	OLE WOLFF ELECTRONICS INC. 1525 McCarthy Blvd, Suite 1093 Milpitas, Ca 95035 USA TEL: +1 408 888 8413	OLEWOLFF ELEKTRONIK GmbH Schulstrasse 15A. DE-25451 Quickborn. Germany TEL: +49 (0) 4106 765900 FAX: +49 (0) 4106 627297	OLEWOLFF ELECTRONICS 3 Bedford Street, Woburn, Bedfordshire MK17 9QB, ENGLAND TEL: +44 (0) 1525 290755 FAX: +44 (0) 1525 290855	OLE WOLFF ELEKTRONIK Yliopistonkatu 26 (P.O.BOX 257) FI-40101 Jyväskylä Finland TEL: +358 14 338 3050 FAX: +358 14 338 3059	OLE WOLFF (ASIA) LTD. Unit B, 19/F., Bold Win Ind. Bldg., No. 16-18 Wah Sing St., Kwai Chung, N.T., H.K. TEL: +852 2424 3274 FAX: +852 2424 2219	OLE WOLFF LTD. 5 Floor, Block G, WenTao Industrial Park, YingRenShi, Bao'an District, Shenzhen, PRC TEL: +86 755 82612542 TEL: +86 755 26406156
---	---	--	--	--	--	---

	Date	20-July-2018	<b>SPECIFICATION</b>	OLE WOLFF
	Page	5 / 6		www.owolff.com
	CN	P/N: OWMB-1295P-24-5		Revision: 00

### 7. DIMENSIONS (Figure 3)

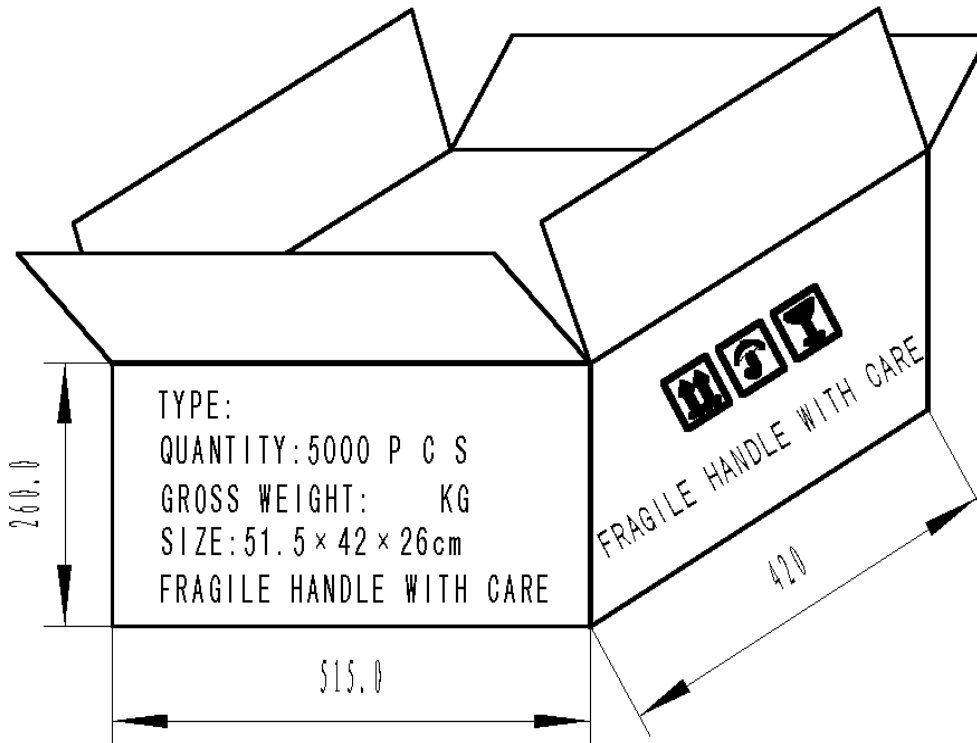
Unit: mm Tolerance: ±0.5mm Except Specified



OLE WOLFF ELEKTRONIK A/S Roedengvej 25 4180 Soroe Denmark TEL: +45 57833830 FAX: +45 57820019	OLE WOLFF ELECTRONICS INC. 1525 McCarthy Blvd, Suite 1093 Milpitas, Ca 95035 USA TEL: +1 408 888 8413	OLEWOLFF ELEKTRONIK GmbH Schulstrasse 15A. DE-25451 Quickborn. Germany TEL: +49 (0) 4106 765900 FAX: +49 (0) 4106 627297	OLEWOLFF ELECTRONICS 3 Bedford Street, Woburn, Bedfordshire MK17 9QB, ENGLAND TEL: +44 (0) 1525 290755 FAX: +44 (0) 1525 290855	OLE WOLFF ELEKTRONIK Yliopistonkatu 26 (P.O.BOX 257) FI-40101 Jyväskylä Finland TEL: +358 14 338 3050 FAX: +358 14 338 3059	OLE WOLFF (ASIA) LTD. Unit B, 19/F., Bold Win Ind. Bldg., No. 16-18 Wah Sing St., Kwai Chung, N.T., H.K. TEL: +852 2424 3274 FAX: +852 2424 2219	OLE WOLFF LTD. 5 Floor, Block G, WenTao Industrial Park, YingRenShi, Bao'an District, Shenzhen, PRC TEL: +86 755 82612542 TEL: +86 755 26406156
---	---	--	--	--	--	---

	Date	20-July-2018	<b>SPECIFICATION</b>	OLE WOLFF
	Page	6 / 6		www.owolff.com
	CN	P/N: OWMB-1295P-24-5		Revision: 00

**PACKAGE INFORMATION (Figure 6)**



**NOTES:**

1. 100 PCS per box
2. Total 50 boxes per carton
3. Total 5000 PCS carton
4. Volume: 51.5 × 42 × 26cm

OLE WOLFF ELEKTRONIK A/S Roedengvej 25 4180 Soroe Denmark  TEL: +45 57833830 FAX: +45 57820019	OLE WOLFF ELECTRONICS INC. 1525 McCarthy Blvd, Suite 1093 Milpitas, Ca 95035 USA  TEL: +1 408 888 8413	OLEWOLFF ELEKTRONIK GmbH Schulstrasse 15A. DE-25451 Quickborn. Germany  TEL: +49 (0) 4106 765900 FAX: +49 (0) 4106 627297	OLEWOLFF ELECTRONICS 3 Bedford Street, Woburn, Bedfordshire MK17 9QB, ENGLAND  TEL: +44 (0) 1525 290755 FAX: +44 (0) 1525 290855	OLE WOLFF ELEKTRONIK Yliopistonkatu 26 (P.O.BOX 257) FI-40101 Jyväskylä Finland  TEL: +358 14 338 3050 FAX: +358 14 338 3059	OLE WOLFF (ASIA) LTD. Unit B, 19/F., Bold Win Ind. Bldg., No. 16-18 Wah Sing St., Kwai Chung, N.T., H.K.  TEL: +852 2424 3274 FAX: +852 2424 2219	OLE WOLFF LTD. 5 Floor, Block G, WenTao Industrial Park, YingRenShi, Bao'an District, Shenzhen, PRC  TEL: +86 755 82612542 TEL: +86 755 26406156
---	---	--	--	--	--	---