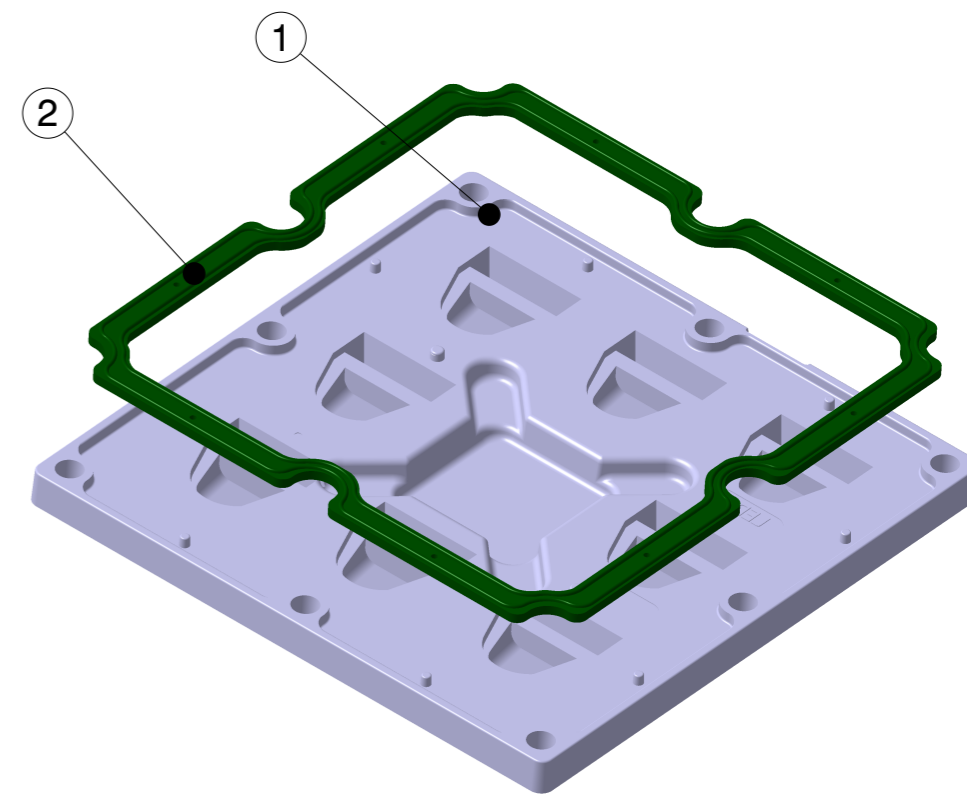
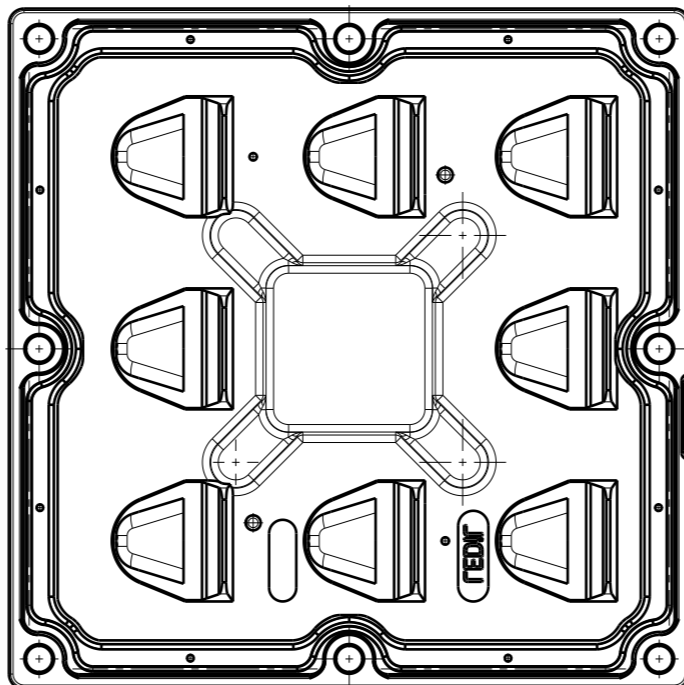
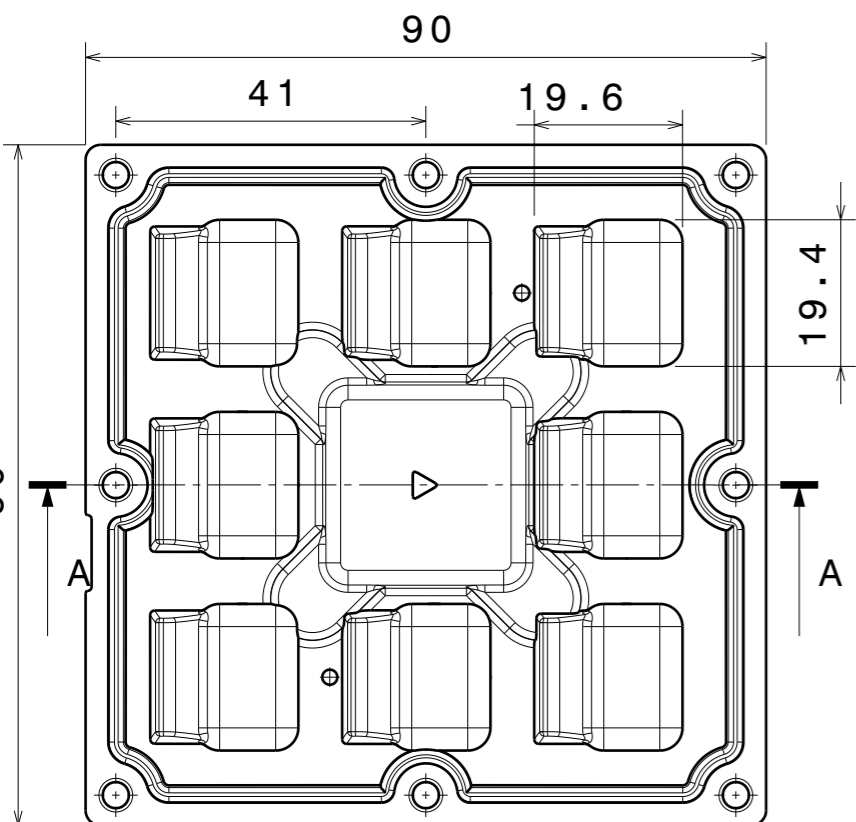


Section view A-A  
Scale: 1:1



Isometric view  
Scale: 1:1

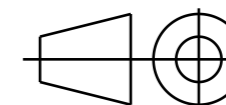
INDEX	PART	TYPE	MATERIAL	COLOR / COATING
1	STRADA-IP-8MX-DWC2-PC_20181001_mechanical model_	LENS	PC 2407	CLEAR
2	C16782_STRADA-IP-8MX-SEAL	SEAL	SILICON	WHITE

**MECHANICAL DRAWING**

PRODUCT  
**STRADA**

Plastic moulding general tolerances according to DIN 16901-130 and applies if not otherwise shown in the drawing.  
Silicone moulding general tolerances according to ISO 3302-1 Class M3 and applies if not otherwise shown in the drawing.

FIRST ANGLE PROJECTION:



**LEDiL®**

This drawing is the property of LEDiL Oy. It may not be copied or otherwise distributed without prior written permission from LEDiL Oy.

SCALE 1:1

WEIGHT 33,67g

A3 SHEET 1/1

**Notes**

- PCB or heatsink level.
- LED location
- Ensure LED fitting from a product specific 3D model available from [www.ledil.com](http://www.ledil.com)
- For more details about installation please see LEDiL Installation Guide on [www.ledil.com](http://www.ledil.com)