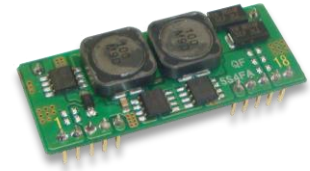


# 4A/6A BSI-P Series



## Ultra High Efficiency (92%), Minimum Size Step-Down DC-DC Converter

**Input: +6V, +12V, +15V**

**Output: +5.0V (+3.0V to +5.0V)**

- Efficiency 92%
- Latest Technology, Synchronous Rectification Circuit
- Adjustable Output Voltage
- Non-Isolated Type Converter
- Short Circuit, Over-Current Protection
- No Electrolytic Capacitor used  
No Tantalum Capacitor used
- Heat Sink Not Required
- Minimum Size
- Remote ON/OFF Control
- Low Standby Current 100µA
- MTBF 1,000,000Hrs
- High Reliability, High Performance
- Operating Temp Range -10°C to +70°C (Temp Derating Required)
- RoHS Compliance

Models BSI-P Series	Input V Vdc	Output V Vdc	Output I A	Line Reg %(typ.)	Load Reg %(typ.)	Ripple/Noise mVpp(typ.)	Efficiency %(typ.)
<b>BSI-5.0S4R0PA</b>	6-16.5	5.0 (3.0-5.0)	0-4	0.3	0.2	50	92
<b>BSI-5.0S4R0FPA</b>							

Note 1: When operating at output current 3A-6A, air flow (1m/sec) is required.

Note 2: The output voltage inside the ( ) indicates the adjustable range.

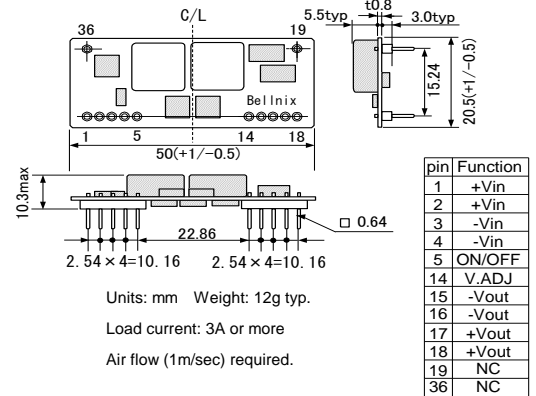
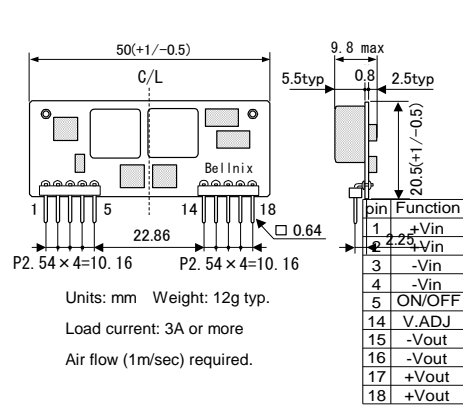
Note 3: External capacitors are required.

Note 4: Suffix "A" stands for version.

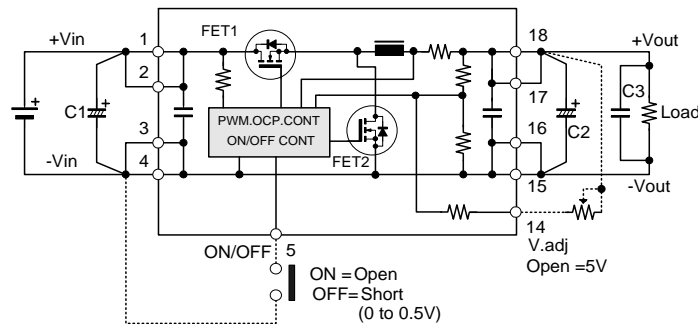
<Outline>

**BSI-5.0S4R0PA** (t=8.8typ)

**BSI-5.0S4R0FPA** (h=9.3typ)



<Standard Connection Diagram>



**- External Capacitors**

C1=100µF20WV× 2 pcs or more (Recommended OS-CON SH, FA type)

C2=220µF10WV× 2 pcs or more (Recommended OS-CON SH, FA type)

**- ON/OFF Control**

The ON/OFF control is controlled by opening and shortening between 5pin(ON/OFF) and 3, 4pin (-Vin).

**- Adjustable Output Voltage**

The output voltage is adjustable by connecting a resistor between 14pin (V.ADJ) and 17, 18pin (+Vout).

When 14pin is open, the rated output voltage is as follows

BSI-5.0S = +5.0V±5%

- Note!

This catalogue is an outline of the products.

When designing, be sure to refer to the data sheets.