

4

3

2

1

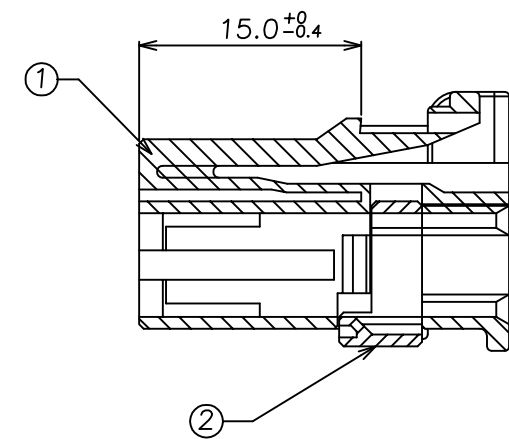
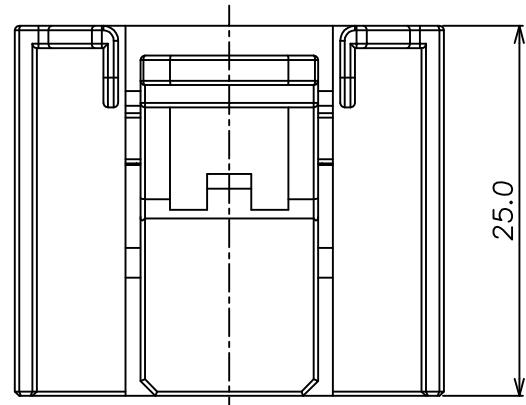
THIS DRAWING IS UNPUBLISHED.

RELEASED FOR PUBLICATION

© COPYRIGHT BY TYCO ELECTRONICS CORPORATION. ALL RIGHTS RESERVED.

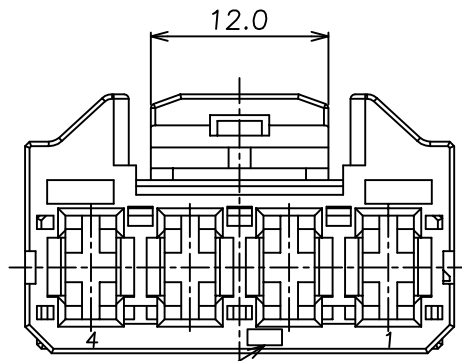
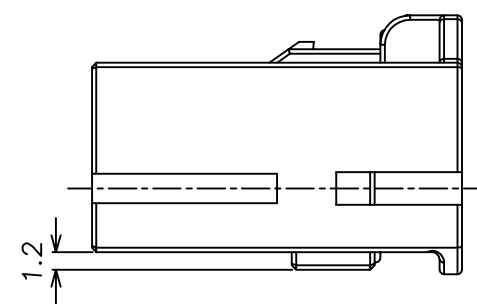
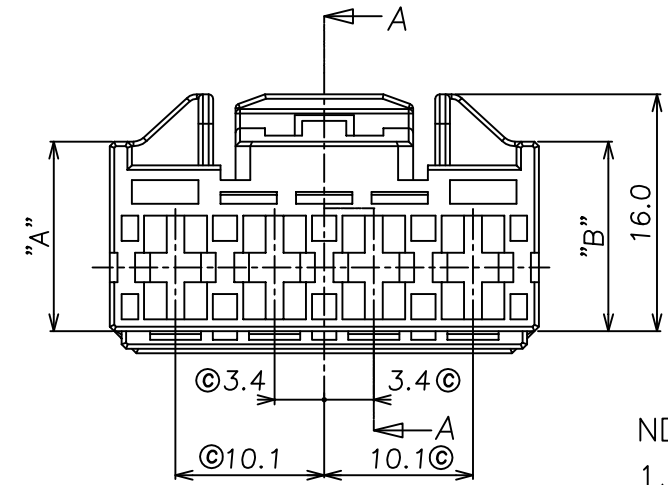
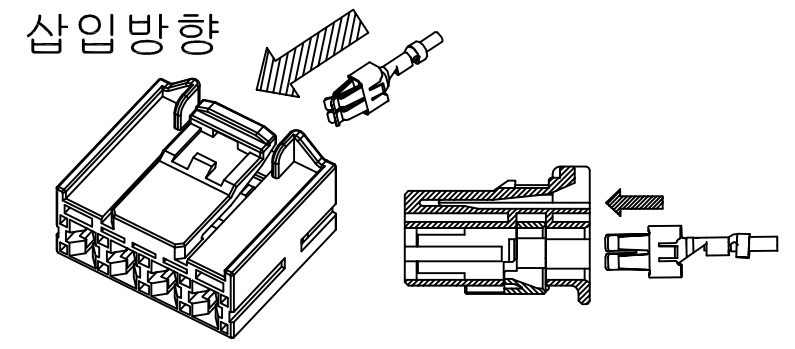
REVISIONS

P	LTR	DESCRIPTION	DATE	DWN	APVD
	B1	REVISED (ECR-09-019350)	31.AUG.'09	KT	HG
	B2	REVISED (ECR-12-019821)	15.NOV.'12	JM	HG
	C	REVISED (ECR-14-017140)	09.JAN.'15	JM	HG



(TABLE 1.)

-3	12.8	13.8
-2	13.8	12.8
-1	12.8	12.8
P/N	DIM "A"	DIM "B"

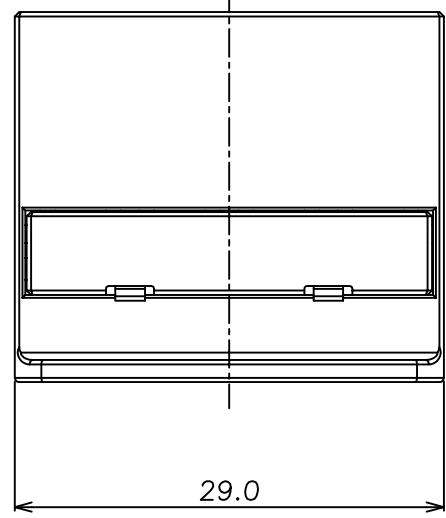


NOTES;

1. RETAINER SHOULD BE SET TO THE PRE-ASSEMBLY POSITION WITHIN THE PLUG HOUSING WHEN SHIPPED TO THE CUSTOMER
2. THE RETENTION LATCH OF THE RETAINER MUST BE OUT SIDE OF PLUG HOUSING WHEN PRE-ASSEMBLY
3. RETAINER RETENTION FORCE FROM HOUSING; 20N MIN.
4. CODING IS AS FOLLOWS; SEE TABLE 1.
5. APPLIED CONTACT P/N:
S. P. T. - 927840-2, 927831-2, 927837-2, 927829-2,
964203-1, 964204-1

ASS'Y P/N	936444-3	936444-2	936444-1

NO.	COLOR	MATERIAL	DESCRIPTION	QTY	
2	NATURAL	PBT	DBL HSG (S)		1
	NATURAL	PBT	DBL HSG	1	1
1	GRAY	PBT	PLUG HSG	1	
	BLACK	PBT	PLUG HSG		1
	NATURAL	PBT	PLUG HSG		1



THIS DRAWING IS A CONTROLLED DOCUMENT FOR TYCO ELECTRONICS CORPORATION IT IS SUBJECT TO CHANGE AND THE CONTROLLING ENGINEERING ORGANIZATION SHOULD BE CONTACTED FOR THE LATEST REVISION.

DIMENSIONS: MM	TOLERANCES UNLESS OTHERWISE SPECIFIED: 0 <XX<10 ± 0.2 10 <XX<30 ± 0.25 30 <XX ± 0.3 ANGLES ± 3'
MATERIAL SEE TABLE	FINISH

DWN JM JEON
CHK JW JUNG
APVD HG CHO
PRODUCT SPEC -
APPLICATION SPEC -
WEIGHT -

TE TE Connectivity

NAME
SPT 4P PLUG ASSEMBLY

SIZE A3 CAGE CODE 00779 DRAWING NO C-936444 RESTRICTED TO -

CUSTOMER DRAWING SCALE 2/1 SHEET 1 OF 1 REV C