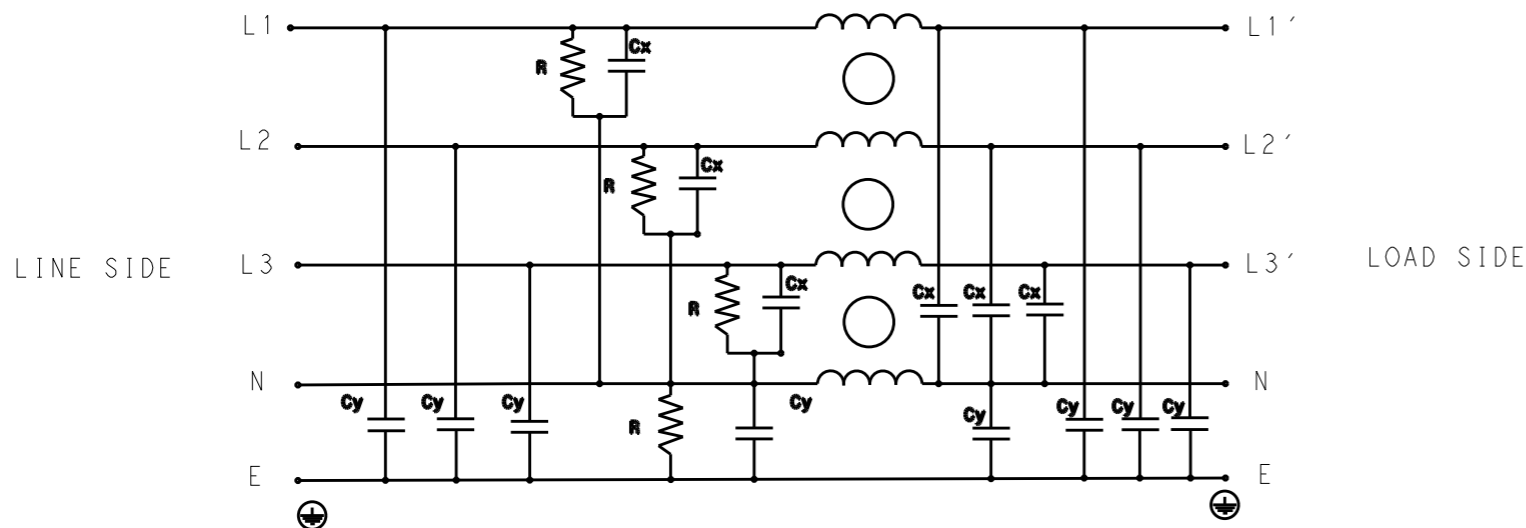


P	LTR	DESCRIPTION	DATE	DWN	APVD
	B	INITIAL RELEASE	07JUL2020	SB	LI



SCHEMATIC

SAFETY ORGANIZATIONS

THIS FILTER WILL BE FORMALLY RECOGNIZED, CERTIFIED OR APPROVED BY THE LISTED AGENCY. THEREFORE, ALL TEST/REQUIREMENTS SPECIFIED IN THE LATEST REVISION OF THE FOLLOWING AGENCY STANDARDS WILL BE MET:

UL RECOGNIZED* 8A 440V 50Hz/60Hz 40°C
 CSA CERTIFIED** 8A 440V 50Hz/60Hz 40°C
 *31 JULY 2020 ; **31 AUGUST 2020

OPERATING SPECIFICATION

LINE CURRENT/VOLTAGE: 8A, 440VAC
 LINE FREQUENCY: 50/60Hz

MAXIMUM LEAKAGE CURRENT: 8.5mA @ 230VAC, 50Hz

OPERATING AMBIENT TEMPERATURE RANGE @ RATED CURRENT: -25°C TO +40°C

IN AN AMBIENT, T_a, HIGHER THAN 40°C, THE MAXIMUM OPERATING CURRENT, I_o, IS AS FOLLOWS:

$$I_o = I_r \sqrt{\frac{85 - T_a}{45}}$$

RELIABILITY SPECIFICATIONS

STORAGE TEMPERATURE: -40°C TO +85°C
 HUMIDITY: 21 DAYS @ 40°C AND 95% RH

TEST SPECIFICATIONS

INDUCTANCE, NOMINAL: 8.5mH

CAPACITANCE @ 1kHz

LINE TO GROUND, NOMINAL: 1.1µF
 NEUTRAL TO GROUND, NOMINAL: 2.2µF
 LINE TO NEUTRAL, NOMINAL: 2µF

DISCHARGE RESISTOR

L/L I.R. 2MΩ 1W
 L/N I.R. 1MΩ 1W
 L/G I.R. 2MΩ 1W
 N/G I.R. 1MΩ 1W
 IR (NO DISCHARGE RESISTOR) 20°C, 50% RH AND 100VDC, MIN: 6MΩ

RECOMMENDED RECEIVING INSPECITON HIPOT

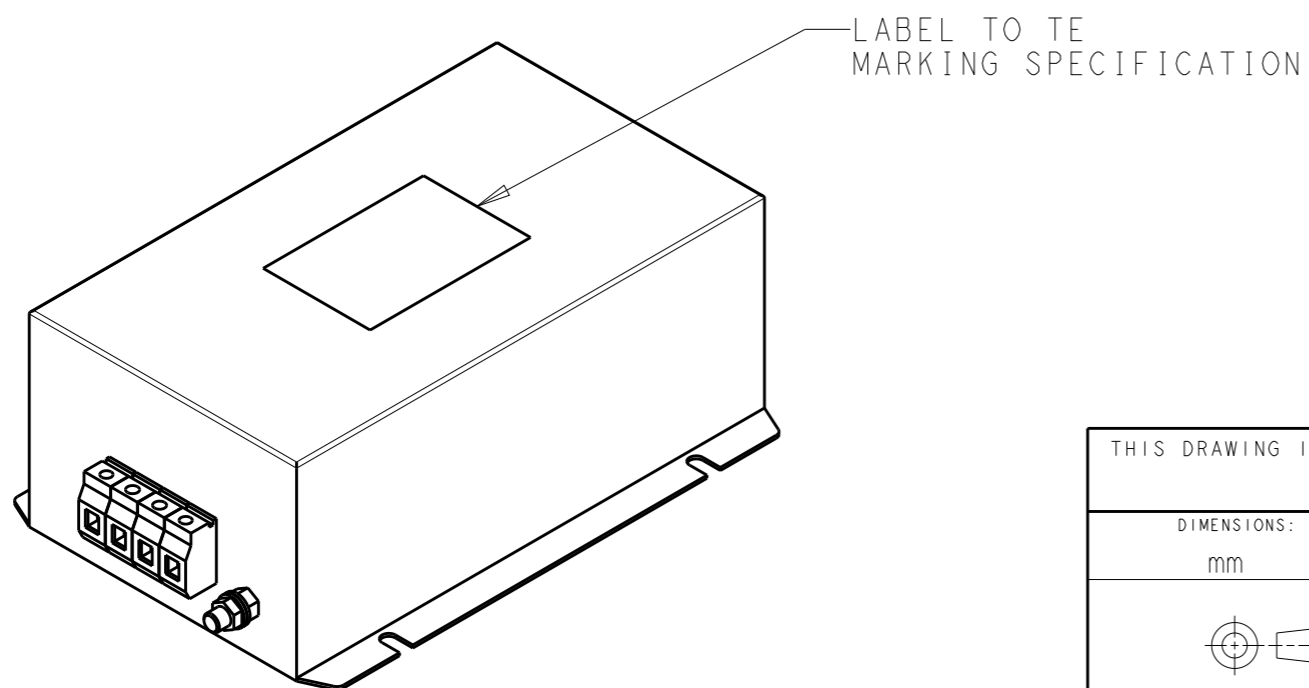
LINE TO GROUND FOR 1 MINUTE: 2632VDC
 LINE TO LINE FOR 1 MINUTE: 1892VDC
 LINE TO NEUTRAL FOR 1 MINUTE: 1093VDC

FILTER APPROVAL

THE BEST WAY TO SELECT AND QUALIFY A FILTER IS FOR YOUR ENGINEERING TO TEST THE UNIT IN YOUR EQUIPMENT.

TYPICAL INSERTION LOSS
 COMMON MODE 50/50Ω; DIFFERENTIAL MODE 50/50Ω

MHz	0.01	0.05	0.15	0.5	1	3	5	10	30
CM	62	64	57	52	50	44	36	32	28
DM	45	35	42	54	48	35	40	29	26



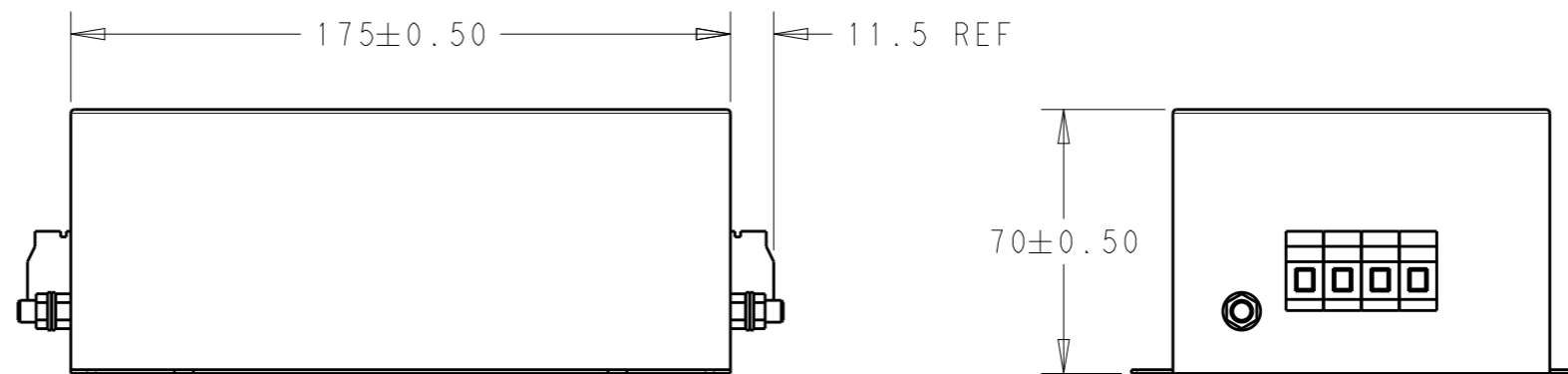
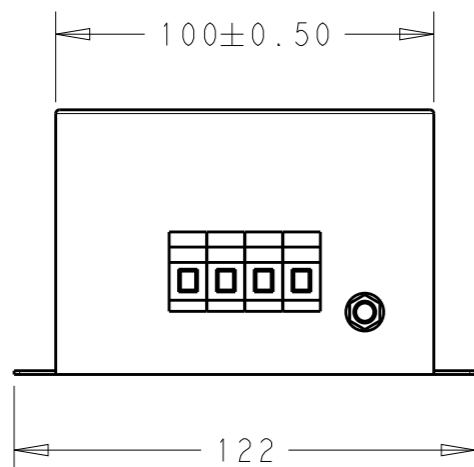
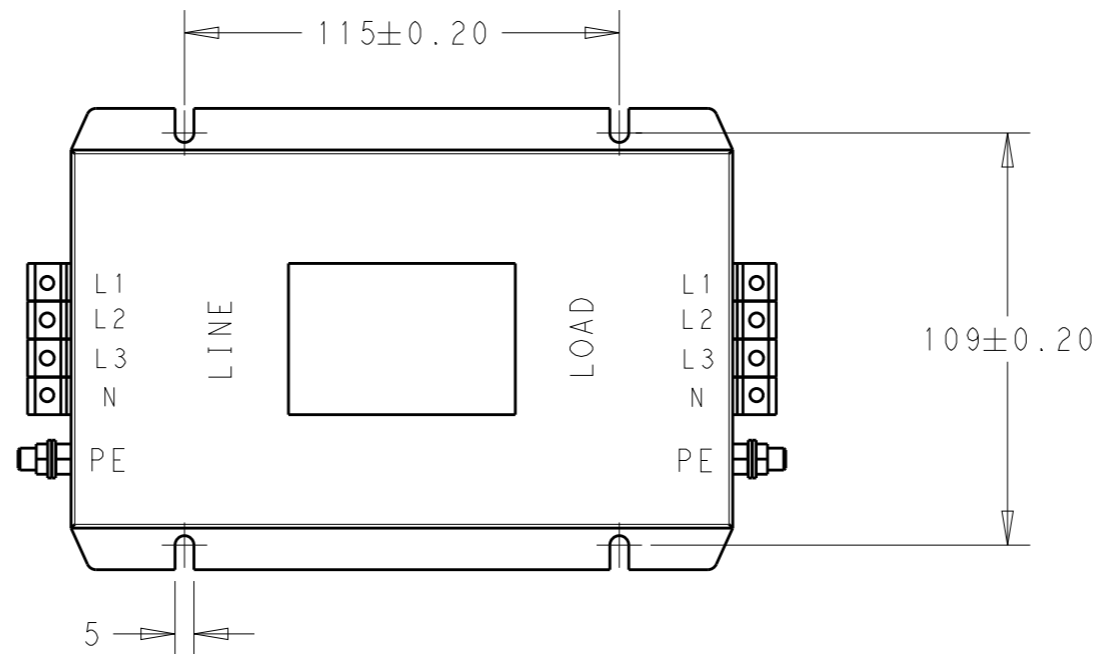
THIS DRAWING IS A CONTROLLED DOCUMENT.		DWN 28FEB2020 SHRICHARANA B		TE Connectivity	
DIMENSIONS: mm		CHK 28FEB2020 LEO IRUDHAYARAJ			
TOLERANCES UNLESS OTHERWISE SPECIFIED:		APVD 28FEB2020 LEO IRUDHAYARAJ		NAME POWER LINE FILTER 8KEPS10AFPW	
0 PLC ±-		PRODUCT SPEC		SIZE	
1 PLC ±0.5		APPLICATION SPEC		CAGE CODE	
2 PLC ±0.40		WEIGHT		DRAWING NO	
3 PLC ±0.130		CUSTOMER DRAWING		RESTRICTED TO	
4 PLC ±0.0500		SCALE 1:2		SHEET 1 OF 2	
ANGLES ±-		REV B			
MATERIAL		FINISH			

© 2020 TE Connectivity. All Rights Reserved.

NOTE 1 GROUND CONNECTION:
 DO NOT LOOSEN INNER GROUND NUTS.
 TORQUE OUTER TERMINAL SCREWS: 0.5Nm / 4.5 in.lbs
 TORQUE GROUND NUTS: 2.5-3Nm

NOTE 2 INPUT OUTPUT CONNECTION TERMINAL
 AWG SIZE: 26-12 AWG
 WIRE SECTION: 4 mm²
 THREADED BOLT SIZE FOR GROUND: M6

REVISIONS					
P	LTR	DESCRIPTION	DATE	DWN	APVD
		SEE SHEET 1			



THIS DRAWING IS A CONTROLLED DOCUMENT.		DWN	28FEB2020		TE Connectivity
		CHK	28FEB2020		
		APVD	28FEB2020		
		PRODUCT SPEC	LEO IRUDHAYARAJ		
DIMENSIONS:		TOLERANCES UNLESS OTHERWISE SPECIFIED:		NAME	
mm		0 PLC ±-		POWER LINE FILTER	
		1 PLC ±0.5		8KEPS10AFPW	
		2 PLC ±0.40		SIZE	
		3 PLC ±0.130		CAGE CODE	
		4 PLC ±0.0500		DRAWING NO	
MATERIAL		FINISH		RESTRICTED TO	
-		-		-	
		WEIGHT		A300779	
		CUSTOMER DRAWING		C-1-1609968-1	
		SCALE		SHEET	
		1:2		2 OF 2	
		REV		B	