

Würth Electronics Midcom Inc.
 121 Airport Drive · P.O. Box 1330 · Watertown SD
 57201-6330, USA
 T: +1 (605) 886 4385 · Toll Free: +1 (800) 643 2661
 www.we-online.com



Würth Electronics – Product Spotlight

Wireless Power 200 W Development Kit

Extended Medium Power Solution

Würth Electronics and Infineon jointly offer a complete ready to use wireless power system. The 200 W Development Kit allows you to discover the advantages of this technology for yourself and easily integrate it into your product design.

The Wireless Power Kit provides these added values:

- Plug & Play 200 W Wireless Power Development Kit, Extended Medium Power Solution
- Complete solution consisting of a transmitter and a receiver board
- Data transfer between receiver and transmitter board
- Manual and automatic output voltage control
- IoT sensor I²C interface
- Flexible and modular approach for fast integration of wireless power in your product design

Applications:

- Drones, robotic lawn mowers and power tools
- Industry 4.0 and IoT
- Industrial applications
- Devices in a medical environment
- Devices with a large number of mating cycles to avoid connector damage

Würth Electronic Components Used:

- **On the 200 W Development Kit**
 - WE-WPCC: 760308102142

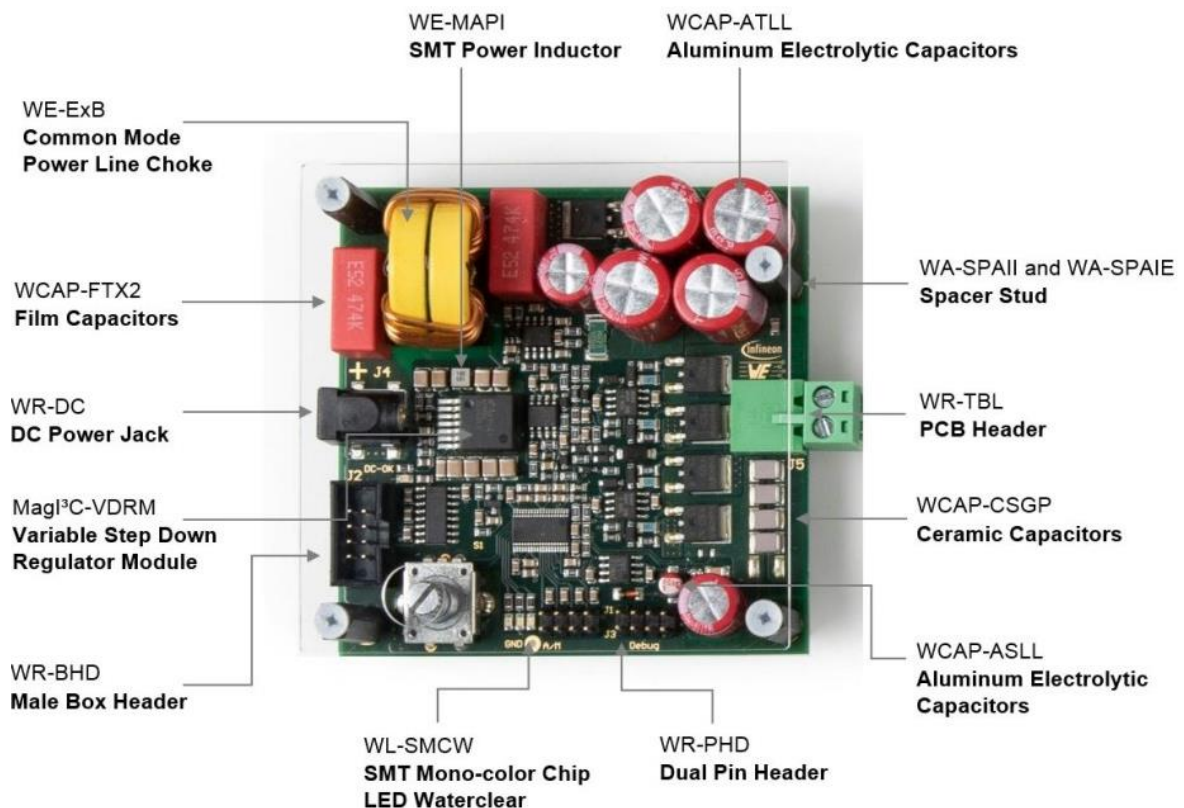


Würth Electronics Midcom Inc.
 121 Airport Drive · P.O. Box 1330 · Watertown SD
 57201-6330, USA
 T: +1 (605) 886 4385 · Toll Free: +1 (800) 643 2661
 www.we-online.com



- **On the Transmitter Board**

- WCAP-ATLL: 860160578032, 860160675026
- MagI³C-VDRM: 171032401
- WCAP-CSGP: 885012207103, 885012207086, 885012207098, 885012209048, 885012207092, 885012207094, 885012007054, 885012109011, 885012208087, 885012207100, 885012207079, 885012007061
- WL-SMCW: 150080RS75000, 150080GS75000, 150080BS75000
- WCAP-ASLL: 865060440001
- WCAP-FTX2: 890324025039CS
- WE-ExB: 744844221
- WE-MAPI: 74438336100
- WR-TBL: 691313510002
- WR-PHD: 61300821121
- WR-BHD: 61200821621
- WR-DC: 694108106102
- WA-SPAIE: 971100365
- WA-SPAIL: 970300365

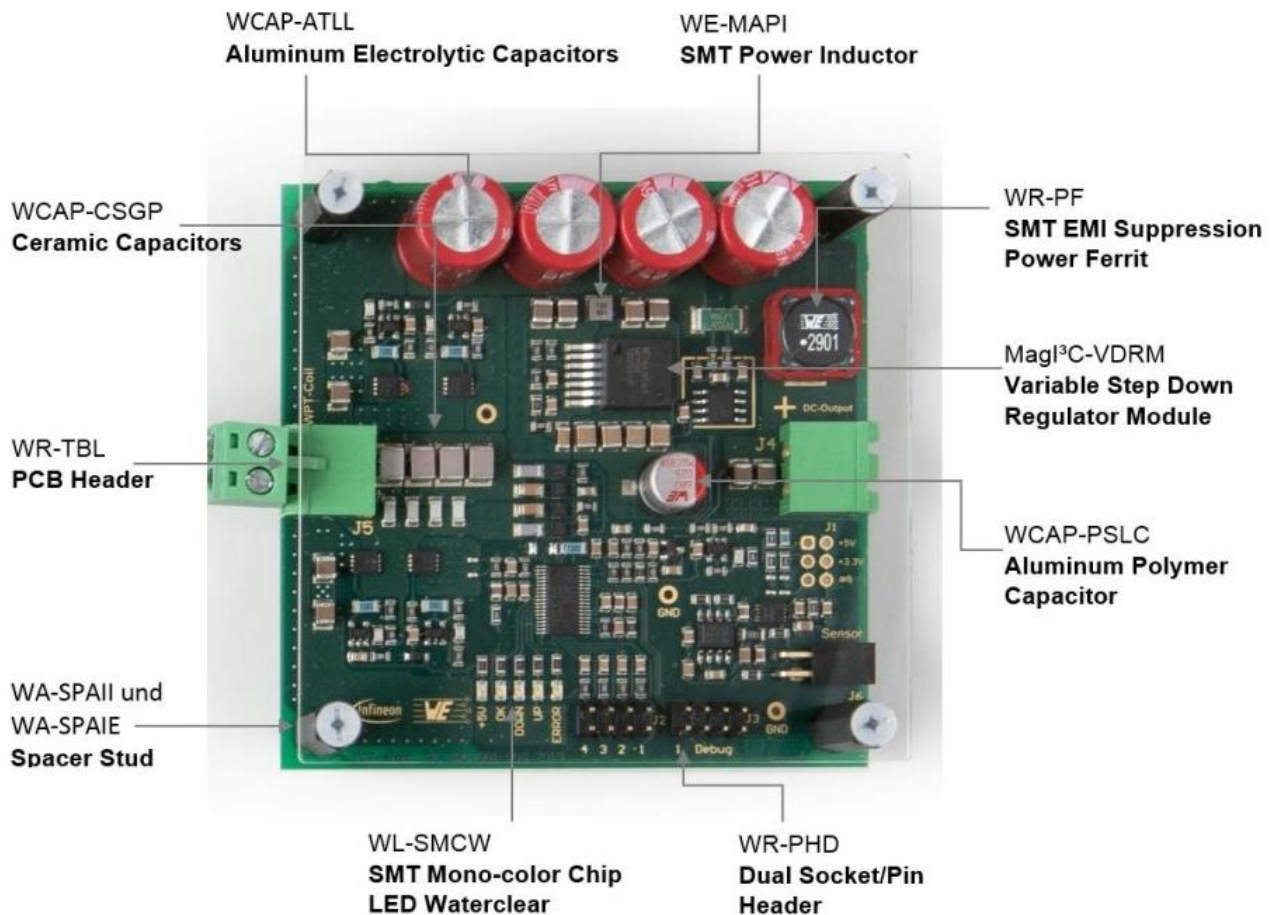


Würth Electronics Midcom Inc.
 121 Airport Drive · P.O. Box 1330 · Watertown SD
 57201-6330, USA
 T: +1 (605) 886 4385 · Toll Free: +1 (800) 643 2661
 www.we-online.com



- **On Receiver Board**

- WCAP-CSGP: 885012207103, 885012207092, 885012207098, 885012107018, 885012207086, 885012207094, 885012109011, 885012208087, 885012209048, 885012207100, 885012007031, 885012208083, 885012208091, 885012007057, 885012207079
- WCAP-PSLC: 875075555003
- WCAP-ATLL: 860160578032
- WL-SMCW: 150080RS75000, 150080GS75000, 150080BS75000
- MagI³C-VDRM: 171032401
- WR-PHD: 61300821121, 613004243121
- WE-MAPI: 74438336100
- WR-TBL: 691313510002
- WE-PF: 742792901
- WA-SPAIE: 971100365
- WE-SPAIL: 970300365



Würth Electronics Midcom Inc.
121 Airport Drive · P.O. Box 1330 · Watertown SD
57201-6330, USA
T: +1 (605) 886 4385 · Toll Free: +1 (800) 643 2661
www.we-online.com

