

THIS DRAWING IS UNPUBLISHED.

RELEASED FOR PUBLICATION

REVISIONS

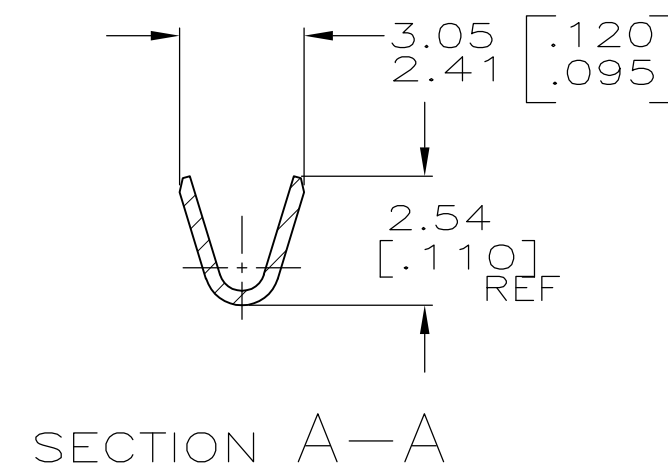
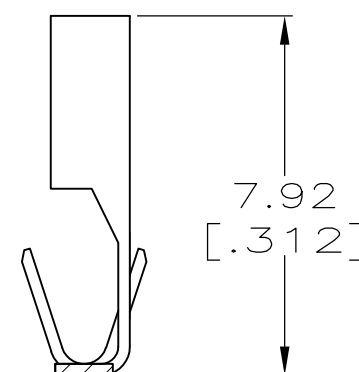
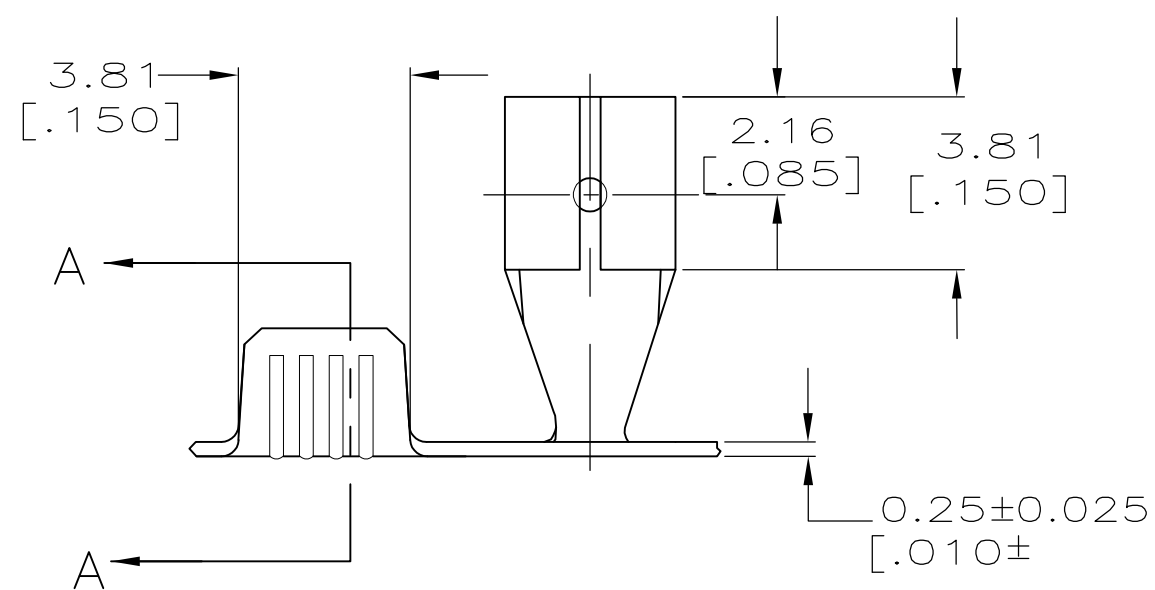
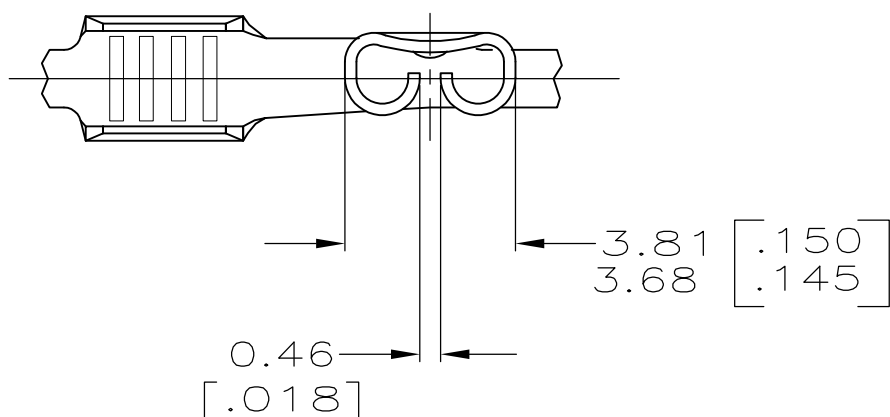
© COPYRIGHT - By -

ALL RIGHTS RESERVED.

P	LTR	DESCRIPTION	DATE	DWN	APVD
	J1	REVISED PER ECO-16-013210	08SEP16	RS	DH

1 CONTINUOUS STRIP ON REELS.

2 REVERSE REELING OF -1.

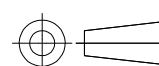


STRIP LENGTH	TYPE	WIDTH	HEIGHT	WIRE
5.59 [.220]	F	1.78 [.070]	1.42 [.056]	16
			1.19 [.047]	18
			1.04 [.041]	20
			0.96 [.038]	22
±0.38 [.015]			±0.051 [.002]	

WIRE BARREL CRIMP

THIS DRAWING IS A CONTROLLED DOCUMENT.

DIMENSIONS:
mm [INCHES]



TOLERANCES UNLESS OTHERWISE SPECIFIED:

0 PLC	± -
1 PLC	± -
2 PLC	± 0.38 [.015]
3 PLC	± -
4 PLC	± -
ANGLES	± -

MATERIAL
BRASS

FINISH
PRE-TIN

[#22-#16] AWG	0.51±0.025 [.020±.001]	2	61549-2
[#22-#16] AWG	0.51±0.025 [.020±.001]		61549-1
WIRE SIZE	MATING TAB THICKNESS		PART NO.
DWN JR RUTH 4/18/96	CHK MS FEHER 4/18/96	APVD P DESANTIS 4/18/96	NAME RECEPTACLE, FASTON, 2.79 [.110] SERIES
PRODUCT SPEC -	APPLICATION SPEC 114-2028	WEIGHT 0.000000	SIZE A3
CUSTOMER DRAWING		CAGE CODE 00779	DRAWING NO C-61549
SCALE 6:1		SHEET 1 OF 1	REV J1

