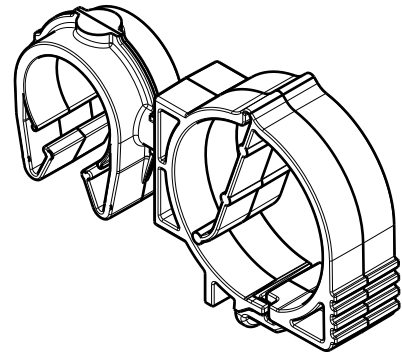
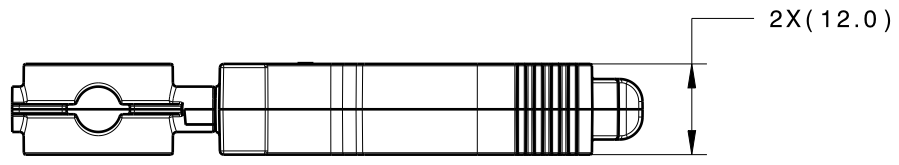
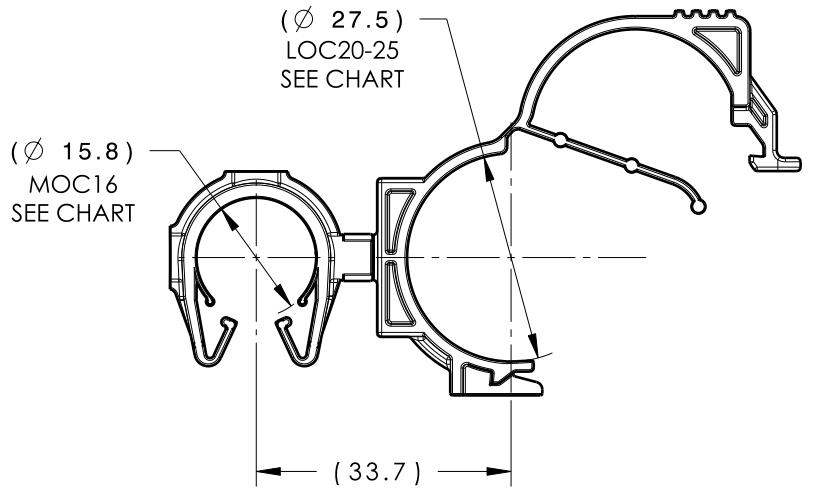


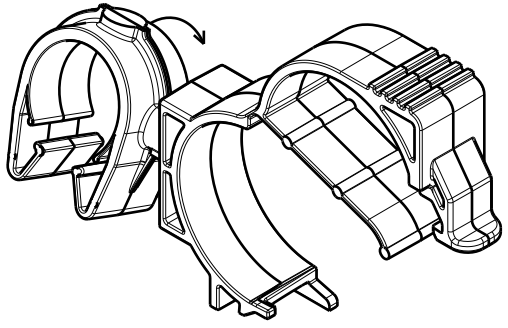
Revision Level			Revision Record	Changed	Date	Approved	Date
Drawing	State	Part					
02.1	Design Release	-	SEE ECN# 014926	EJH	2/19/19	TAT	2/20/19



ISOMETRIC VIEW CLOSED



CLIPS ROTATE 360 DEGREES



ISOMETRIC VIEW OPEN

TYPE	MOC16F
HARNESS	14.0MM-17.0MM
HOSE	14.0MM-17.0MM
HARD PIPE/TUBE	15.9MM-18.3MM

\*RECOMMENDED SIZES MAY DIFFER DEPENDING ON THE APPLICATION , PRODUCT REQUIREMENTS AND MATERIALS USED

\*\*PATENT PENDING 29/582,271



GLOBAL PART DESCRIPTION	MOC16**			LOC20-25		
	DRAWING	MATERIAL	COLOR	DRAWING	MATERIAL	COLOR
MOC16LOC20-25-PA66HIRHSUV-BK	16-0321-000-CSU	PA66HIRHSUV	BLACK	12-0631-051-CSU	PA66HIRHSUV	BLACK

Material SEE CHART COLOR: SEE CHART	Units	millimeters	The copyright of this drawing is reserved by HellermannTyton. It is issued on condition that it is not reproduced, copied or disclosed to a third party, either wholly or in part, without the consent of HellermannTyton.	Drawn	TAT	3/7/17	Article/Type-No	MOC16LOC20-25		Scale	1:1
	Tolerance defined on each dimension	Approved		EJH	3/8/17	Title		16MM MOC COUPLED TO 20-25MM LOC		Project Number	16-0327
		<b>HellermannTyton</b>			Drawing-No		PRODUCTION : Phase		Format	AH	
							North America Email: corp@htamericas.com Web: www.hellermann.tyton.com			<b>16-0327-164-CSU</b>	