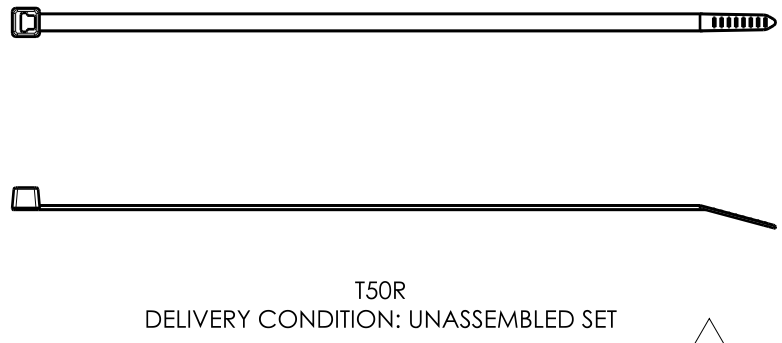
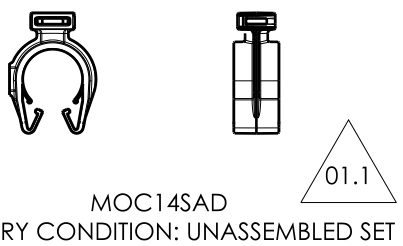
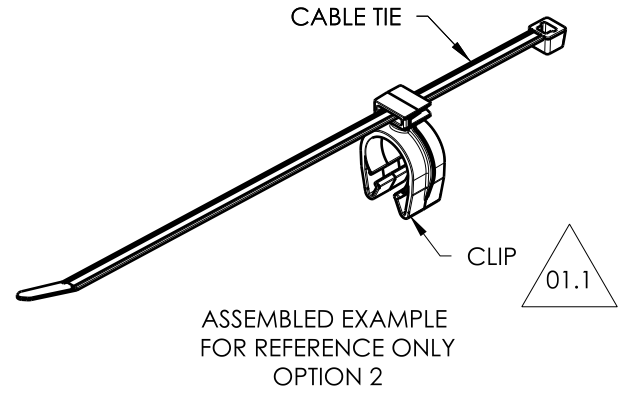
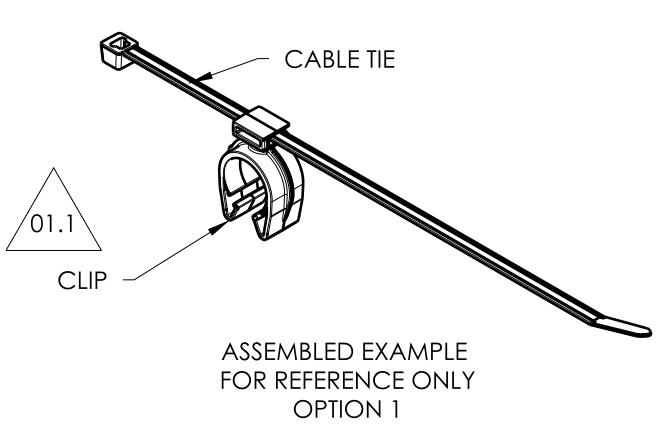


Revision Level			Revision Record	Changed	Date	Approved	Date
Drawing	State	Part					
01.1	Design Release		SEE ECN# 014632	TAT	9/7/18	EJH	9/7/18



TYPE	DIAMETER RANGE*
HARNESS	14.0MM - 17.0MM
HOSE	14.0MM - 17.0MM
HARD PIPE/TUBE	15.9MM - 18.3MM

*RECOMMENDED SIZES MAY DIFFER DEPENDING ON THE APPLICATION , PRODUCT REQUIREMENTS AND MATERIALS USED

**PATENT PENDING 29/582,271

01.1	GLOBAL PART DESCRIPTION	BUNDLE RANGE	CABLE TIE			CLIP**		
			DRAWING	MATERIAL	COLOR	DRAWING	MATERIAL	COLOR
	T50RMOC16SAD-SET-PA66HIRHSUV-BK	4 TO 50	CT2050007CST	PA66HIRHSUV	BLACK	16-0321-008-CSU	PA66HIRHSUV	BLACK

Material SEE CHART COLOR: SEE CHART	Units	millimeters	The copyright of this drawing is reserved by HellermannTyton. It is issued on condition that it is not reproduced, copied or disclosed to a third party, either wholly or in part, without the consent of HellermannTyton.	Drawn	TAT	4/12/17	Article/Type-No	T50RMOC16SAD		Scale	1:2
	Tolerance defined on each dimension	Approved		EJH	4/12/17	Title		16MM (5/8") MOC WITH T50R CABLE TIE		Project Number	16-0321
		 North America Email: corp@htamericas.com Web: www.hellermann.tyton.com			Drawing-No		PRODUCTION : Phase		Format	AH	
							16-0321-108-CSU		Sheet	1/1	