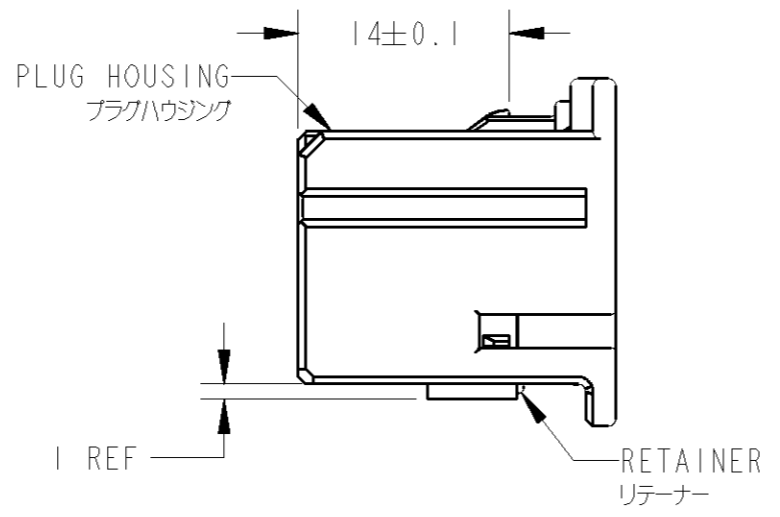
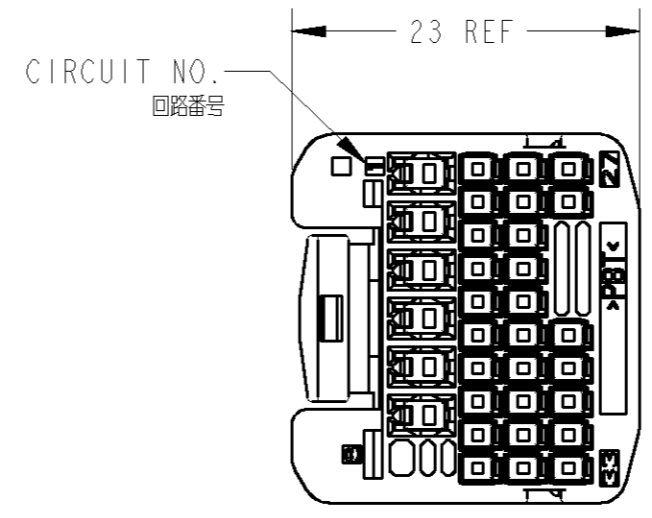
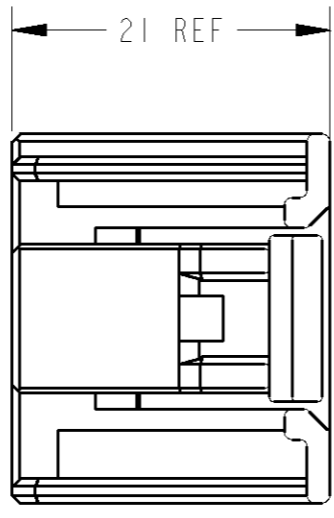
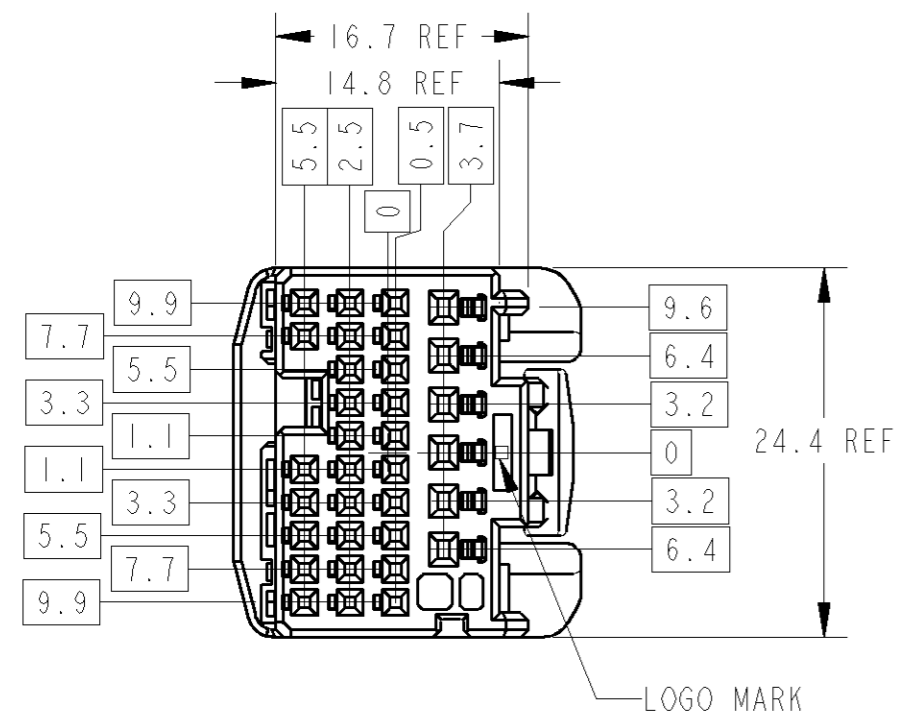


THIS DRAWING IS UNPUBLISHED. RELEASED FOR PUBLICATION 20  
 © COPYRIGHT 20 BY TYCO ELECTRONICS CORPORATION. ALL RIGHTS RESERVED.

LOC	R1ST	REVISIONS						
		P	LTR	DESCRIPTION	ECN	DATE	DWN	APVD
J	X		0	RELEASED	FJA0-0048-03	24FEB03	A.Y	K.A
			A	REVISED	ECR-10-007503	27APR10	TS	KB



1. RETAINER SHOULD BE SENT TO THE PRE-ASSEMBLY POSITION WITHIN THE PLUG HOUSING WHEN SHIPPED TO THE CUSTOMER
2. THE PRE-RETENTION LATCH OF THE RETAINER MUST BE OUT SIDE OF PLUG HOUSING WHEN PRE-ASSEMBLY
3. RETAINER RETENTION FORCE FROM HOUSING; 30N MIN
4. INSTRUCTION SHEET NO. 411-5932.
5. PART NUMBER OF CAP HOUSING TO BE MATED: SEE TABLE-1.
6. APPLIED TERMINALS SEE TABLE-2.

1. プラグハウジングにリテーナを仮係止して出荷される
2. 仮係止時リテーナーの突起がハウジングの外側にでていること
3. リテーナーの仮係止保持力は: 30N MIN
4. 取扱説明書NO. 411-5932
5. 嵌合相手型番: TABLE-1参照
6. 適用端子: TABLE-2参照

TABLE-2

SIGNAL		TIN	1123343-1	AVSS/CAVS/CAVUS/AVSSH-f 0.22~0.5mm <sup>2</sup>
POWER		SELECTIVE GOLD	1123343-2	
		SELECTIVE GOLD	316837-2	AVSS/CAVS/CAVUS 0.3~0.85mm <sup>2</sup> AVS 0.3~0.5mm <sup>2</sup>
		TIN	316836-1	
			316838-1	AVS 0.5mm <sup>2</sup> AVSS/CAVS 0.85~1.25mm <sup>2</sup> CAVUS 1.25mm <sup>2</sup>

TABLE-1

POS 極数	CAP ASSEMBLY PART NO キャップ 型番
200	1473649

PAPER BOX ダンボール箱	PLASTIC BAG ビニール袋	NATURAL	1473651-1
OUTER 外装	INNER 内装	COLOR	PART NUMBER
PACKING STYLE 梱包形態			

THIS DRAWING IS A CONTROLLED DOCUMENT FOR TYCO ELECTRONICS CORPORATION  
 IT IS SUBJECT TO CHANGE AND THE CONTROLLING ENGINEERING ORGANIZATION  
 SHOULD BE CONTACTED FOR THE LATEST REVISION.

DIMENSIONS: 単位: ㎜	TOLERANCES UNLESS OTHERWISE SPECIFIED: 一般公差 ±0.3 0-PLC ± 1-PLC ±0.1 2-PLC ±0.01 3-PLC ±0.001 4-PLC ±0.0001 ANGLES ±3'00"
MATERIAL 材料 PBT	FINISH 仕上 SEE TABLE

DWN A. YAMAGUCHI 18FEB03	Tyco Electronics Corporation Kawasaki, Japan	
CHK Y. KAWAHARA 18FEB03		
APVD K. ASAI 24FEB03	NAME 名称 025/040 EFI ECU CONNECTOR PLUG HOUSING ASSY 33POSITION	
PRODUCT SPEC 製品規格 108-5674	SIZE A3	CAGE CODE 00779
APPLICATION SPEC 取付適用規格 114-5217,5250	DRAWING NO 番号 C=1473651	RESTRICTED TO -
WEIGHT 5.7	SCALE 尺度 2:1	SHEET 1 OF 1
CUSTOMER DRAWING		REV A