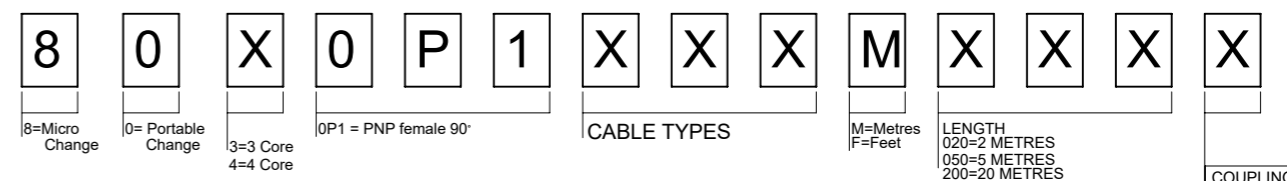


**PART No MATRIX**



- E02 = 0,25mm<sup>2</sup>, PVC black
- E03 = 0,34mm<sup>2</sup>, PVC black
- E13 = 0,75mm<sup>2</sup>, PVC yellow
- E52 = 0,34mm<sup>2</sup>, PVC grey (RAL7001)
- E57 = 0,34mm<sup>2</sup>, PVC grey (RAL7001)
- H09 = 0,34mm<sup>2</sup>, PUR black
- H69 = 0,2mm<sup>2</sup>, PUR grey LSOH SCR
- I02 = 0,25mm<sup>2</sup>, PVC grey CEI
- I03 = 0,34mm<sup>2</sup>, PVC grey CEI
- I20 = 0,34mm<sup>2</sup>, PVC grey CEI SCR DC
- I26 = 0,34mm<sup>2</sup>, PVC grey CEI SCR AC
- P02 = 0,25mm<sup>2</sup>, PUR/PVC black
- P03 = 0,34mm<sup>2</sup>, PUR/PVC black
- P08 = 0,25mm<sup>2</sup>, PUR yellow HIFLEX
- P20 = 0,34mm<sup>2</sup>, PUR black LSOH braid
- P82 = 0,34mm<sup>2</sup>, PUR orange irradiated DC
- S20 = 0,34mm<sup>2</sup>, PVC yellow SJTO braid
- S26 = 0,34mm<sup>2</sup>, PVC yellow SJTO braid AC

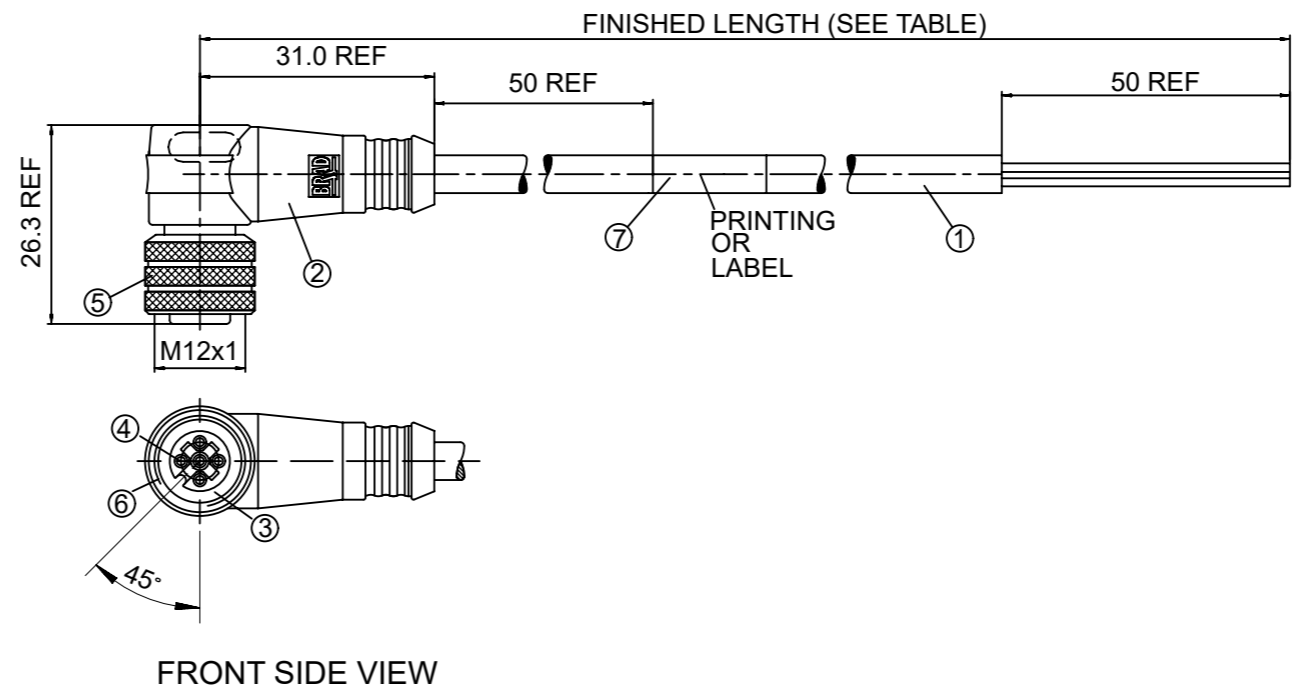
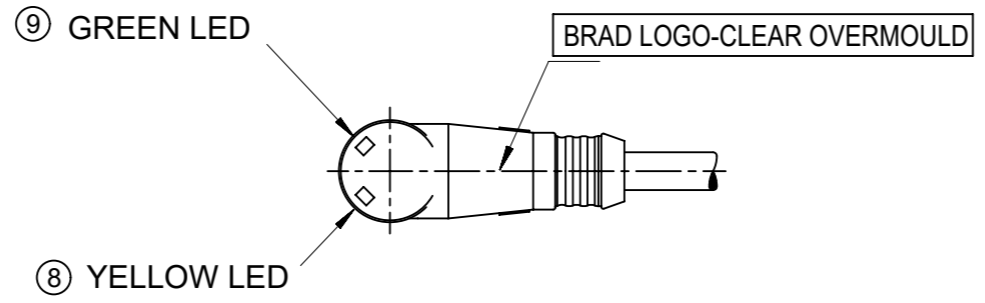


Table of length tolerances

| Over  | Up to and including | Tolerance (+) |
|-------|---------------------|---------------|
| 0     | 305                 | +19           |
| 305   | 915                 | +45           |
| 915   | 1830                | +56           |
| 1830  | 3660                | +89           |
| 3660  | 7320                | +165          |
| 7320  | 14640               | +317          |
| 14640 | 30500               | +610          |
| 30500 | >                   | +2% of length |

CONNECTOR SPECIFICATION:

|                       |                                                  |
|-----------------------|--------------------------------------------------|
| VOLTAGE RATING        | 10 TO 30VDC                                      |
| AMPERAGE RATING       | max. 4 AMPS                                      |
| PROTECTION            | IP67                                             |
| OPERATING TEMPERATURE | FLEXING: -5°C TO +90°C<br>STATIC: -30°C TO +90°C |

| ITEM | COMPONENT   | MATERIAL     | FINISH  |
|------|-------------|--------------|---------|
| 9    | LED         |              | GREEN   |
| 8    | LED         |              | YELLOW  |
| 7    | LABEL       | ---          | ---     |
| 6    | O-RING      | VITON        | RED     |
| 5    | COUPLER     | ---          | ---     |
| 4    | PIN CONTACT | COPPER ALLOY | ---     |
| 3    | INSERT      | PUR          | BLACK   |
| 2    | OVERMOLD    | PUR          | NATURAL |
| 1    | CABLE       | SEE TABLE    | BLACK   |

|                 |    |              |            |          |
|-----------------|----|--------------|------------|----------|
| DOCUMENT STATUS | P1 | RELEASE DATE | 2023/02/24 | 12:54:48 |
|-----------------|----|--------------|------------|----------|

THIS DRAWING CONTAINS INFORMATION THAT IS PROPRIETARY TO MOLEX ELECTRONIC TECHNOLOGIES, LLC AND SHOULD NOT BE USED WITHOUT WRITTEN PERMISSION


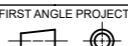
|                                                      |       |                                                                    |                   |                               |                 |
|------------------------------------------------------|-------|--------------------------------------------------------------------|-------------------|-------------------------------|-----------------|
| DIMENSION UNITS                                      | SCALE | CURRENT REV DESC: REMOVED OBSOLETE PART NUMBERS AS PER PCN#510806. |                   | <b>molex</b>                  |                 |
| mm                                                   | NTS   |                                                                    |                   |                               |                 |
| GENERAL TOLERANCES (UNLESS SPECIFIED)                |       |                                                                    |                   | CSE M12 PNP XP AC FE RA XM SE |                 |
|                                                      |       |                                                                    |                   | PRODUCT CUSTOMER DRAWING      |                 |
| 4 PLACES                                             | ±     | ±                                                                  | EC NO: 733771     | DOCUMENT NUMBER               |                 |
| 3 PLACES                                             | ±     | ±                                                                  | DRWN: LIKITV      | 2023/01/12                    | DOC TYPE        |
| 2 PLACES                                             | ±     | ±                                                                  | CHK'D: GGA        | 2023/02/24                    | DOC PART        |
| 1 PLACE                                              | ±     | ±                                                                  | APPR: GGA         | 2023/02/24                    | REVISION        |
| 0 PLACES                                             | ±     | ±                                                                  | INITIAL REVISION: |                               |                 |
| ANGULAR TOL ± 1.0°                                   |       | DRWN: HWALCZAK                                                     |                   | 2012/11/24                    | SD-120067-035   |
|                                                      |       | APPR: MIWASIECZKO                                                  |                   | 2013/01/15                    | PSD 001 B1      |
| DRAFT WHERE APPLICABLE MUST REMAIN WITHIN DIMENSIONS |       | FIRST ANGLE PROJECTION                                             | DRAWING           | SERIES                        | MATERIAL NUMBER |
|                                                      |       |                                                                    | A3-SIZE           | 120067                        | CUSTOMER        |
|                                                      |       |                                                                    |                   |                               | GENERAL MARKET  |
|                                                      |       |                                                                    |                   |                               | SHEET NUMBER    |
|                                                      |       |                                                                    |                   |                               | 1 OF 2          |

TABLE

|            |                |
|------------|----------------|
| 1200675067 | 8030P1E03M020  |
| 1200675059 | 8030P1E03M030  |
| 1200675060 | 8030P1E03M050  |
| 1200678020 | 8030P1E03M0501 |
| 1200678326 | 8030P1E03M050H |
| 1200675061 | 8030P1E03M100  |
| 1200678259 | 8030P1E03M150  |
| 1200678021 | 8030P1E03M2005 |
| 1200675027 | 8030P1E52M020  |
| 1200675025 | 8030P1E52M050  |
| 1200675026 | 8030P1E52M100  |
| 1200678308 | 8030P1H09M020  |
| 1200678310 | 8030P1H09M050  |
| 1200678006 | 8030P1H09M050H |
| 1200678311 | 8030P1H09M100  |
| 1200678007 | 8030P1H09M100H |
| 1200675009 | 8030P1I03M020  |
| 1200675093 | 8030P1I03M025  |
| 1200678144 | 8030P1I03M030  |
| 1200675010 | 8030P1I03M050  |
| 1200678210 | 8030P1I03M060  |
| 1200675011 | 8030P1I03M100  |
| 1200678145 | 8030P1I20M020  |
| 1200678026 | 8030P1I20M060  |
| 1200675068 | 8030P1I20M120  |
| 1200678029 | 8030P1P03M010  |
| 1200678030 | 8030P1P03M0101 |
| 1200675069 | 8030P1P03M020  |
| 1200678031 | 8030P1P03M0201 |
| 1200678032 | 8030P1P03M030  |
| 1200678147 | 8030P1P03M030H |
| 1200675002 | 8030P1P03M050  |
| 1200675082 | 8030P1P03M050H |
| 1200678197 | 8030P1P03M075  |

|            |                |
|------------|----------------|
| 1200060366 | 8030P1P03M100  |
| 1200675083 | 8030P1P03M100H |
| 1200678033 | 8030P1P03M150  |
| 1200678035 | 8030P1P09M050  |
| 1200678234 | 8030P1P09M100  |
| 1200678036 | 8030P1P09M150  |
| 1200675029 | 8030P1P82M020  |
| 1200675022 | 8030P1P82M050  |
| 1200678038 | 8030P1S20M010  |
| 1200678248 | 8030P1S20M0101 |
| 1200678039 | 8030P1S20M020  |
| 1200678040 | 8030P1S20M030  |
| 1200675012 | 8030P1S20M050  |
| 1200678192 | 8030P1S20M050H |
| 1200678172 | 8030P1S20M1001 |
| 1200675013 | 8030P1S20M2001 |
| 1200678384 | 8040P1E02M100  |
| 1200678304 | 8040P1E03M010  |
| 1200675014 | 8040P1E03M020  |
| 1200675015 | 8040P1E03M030  |
| 1200678303 | 8040P1E03M040  |
| 1200060611 | 8040P1E03M050  |
| 1200675073 | 8040P1E03M100  |
| 1200678258 | 8040P1E03M150  |
| 1200678282 | 8040P1E03M200  |
| 1200678309 | 8040P1H09M020  |
| 1200678312 | 8040P1H09M050  |
| 1200678008 | 8040P1H09M050H |
| 1200678313 | 8040P1H09M100  |
| 1200678009 | 8040P1H09M100H |
| 1200678306 | 8040P1I03M010  |
| 1200678044 | 8040P1I03M020  |
| 1200678045 | 8040P1I03M030  |

|            |                |
|------------|----------------|
| 1200678307 | 8040P1I03M040  |
| 1200670293 | 8040P1I03M050  |
| 1200670292 | 8040P1I03M100  |
| 1200658616 | 8040P1P03M010  |
| 1200060618 | 8040P1P03M020  |
| 1200651777 | 8040P1P03M030  |
| 1200658621 | 8040P1P03M040  |
| 1200678150 | 8040P1P03M050H |
| 1200675017 | 8040P1P03M100  |
| 1200678151 | 8040P1P03M100H |
| 1200678046 | 8040P1P03M150  |
| 1200678305 | 8040P1P82M0207 |
| 1200678010 | 8040P1S20M010  |
| 1200678201 | 8040P1S20M020  |
| 1200678051 | 8040P1S20M020H |
| 1200675086 | 8040P1S20M030  |
| 1200675024 | 8040P1S20M040H |
| 1200675018 | 8040P1S20M050  |
| 1200675023 | 8040P1S20M100  |
| 1200675019 | 8040P1S20M1001 |
| 1200678053 | 8040P1S20M100H |
| 1200678265 | 8040P1S20M200  |
| 1200675074 | 8040P1S20M2001 |

|                                                                                                                                               |  |       |  |                                                                                       |  |                |  |                                                                                       |  |
|-----------------------------------------------------------------------------------------------------------------------------------------------|--|-------|--|---------------------------------------------------------------------------------------|--|----------------|--|---------------------------------------------------------------------------------------|--|
| THIS DRAWING CONTAINS INFORMATION THAT IS PROPRIETARY TO MOLEX ELECTRONIC TECHNOLOGIES, LLC AND SHOULD NOT BE USED WITHOUT WRITTEN PERMISSION |  |       |  |                                                                                       |  |                |  |                                                                                       |  |
| DIMENSION UNITS                                                                                                                               |  | SCALE |  | CURRENT REV DESC: REMOVED OBSOLETE PART NUMBERS AS PER PCN#510806.                    |  |                |  |  |  |
| mm                                                                                                                                            |  | NTS   |  |                                                                                       |  |                |  |                                                                                       |  |
| GENERAL TOLERANCES (UNLESS SPECIFIED)                                                                                                         |  |       |  | EC NO: 733771                                                                         |  | 2023/01/12     |  | PRODUCT CUSTOMER DRAWING                                                              |  |
|                                                                                                                                               |  |       |  | DRWN: LIKITV                                                                          |  | 2023/02/24     |  |                                                                                       |  |
|                                                                                                                                               |  |       |  | CHK'D: GGA                                                                            |  | 2023/02/24     |  | DOCUMENT NUMBER                                                                       |  |
|                                                                                                                                               |  |       |  | APPR: GGA                                                                             |  | 2023/02/24     |  |                                                                                       |  |
|                                                                                                                                               |  |       |  | INITIAL REVISION:                                                                     |  |                |  | SD-120067-035                                                                         |  |
|                                                                                                                                               |  |       |  | DRWN: HWALCZAK                                                                        |  | 2012/11/24     |  |                                                                                       |  |
|                                                                                                                                               |  |       |  | APPR: MIWASIECZKO                                                                     |  | 2013/01/15     |  | DOC TYPE                                                                              |  |
| ANGULAR TOL ± 1.0°                                                                                                                            |  |       |  | FIRST ANGLE PROJECTION                                                                |  | DRAWING        |  | DOC PART                                                                              |  |
| DRAFT WHERE APPLICABLE MUST REMAIN WITHIN DIMENSIONS                                                                                          |  |       |  |  |  | SERIES         |  | REVISION                                                                              |  |
|                                                                                                                                               |  |       |  | A3-SIZE                                                                               |  | 120067         |  | B1                                                                                    |  |
|                                                                                                                                               |  |       |  | MATERIAL NUMBER                                                                       |  | CUSTOMER       |  | SHEET NUMBER                                                                          |  |
|                                                                                                                                               |  |       |  | SEE TABLE                                                                             |  | GENERAL MARKET |  | 2 OF 2                                                                                |  |