

NOTES:

1. MATERIAL:

HOUSING: LIQUID CRYSTAL POLYMER (LCP), GLAS-FILLED, UL 94V-0,

COLOR: BLASK

TERMINALS: BRASS

2. FINISH:

TERMINAL: 0.76 MICROMETERS/30 MICROINCHES MINIMUM SELECTIVE GOLD

IN CONTACT AREA; 1.27 MICROMETERS/50 MICROINCHES MINIMUM

SELECTIVE TIN IN THE PC TAIL AREA; NICKEL UNDERPLATE OVERALL

3. ASSEMBLY MATES WITH MOLEX P/N SDA-71660-****

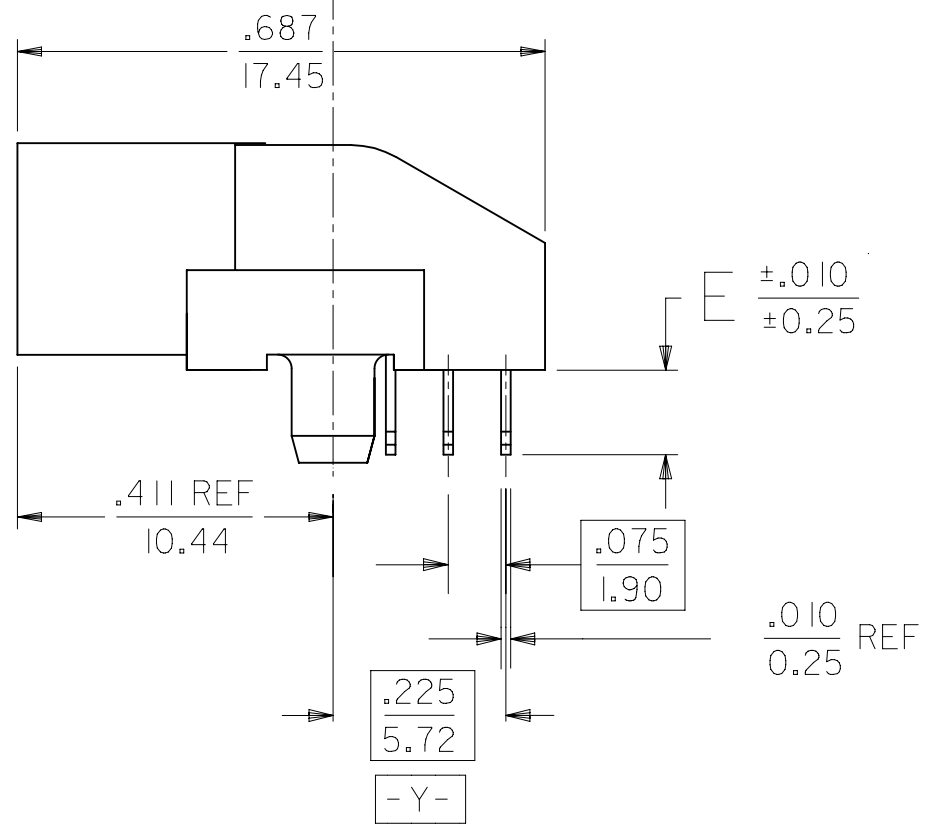
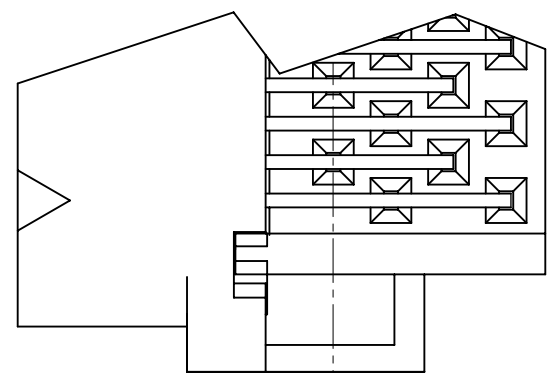
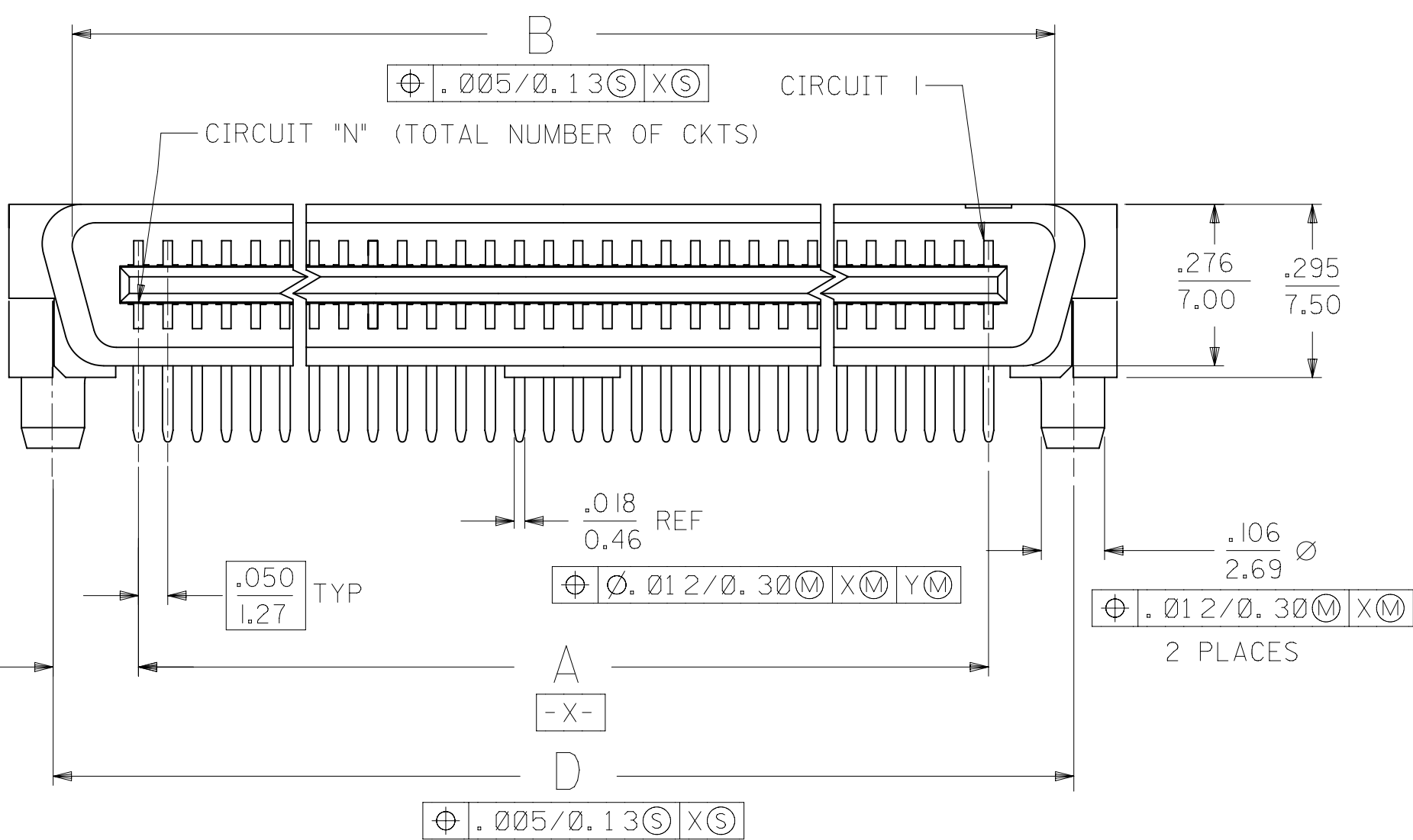
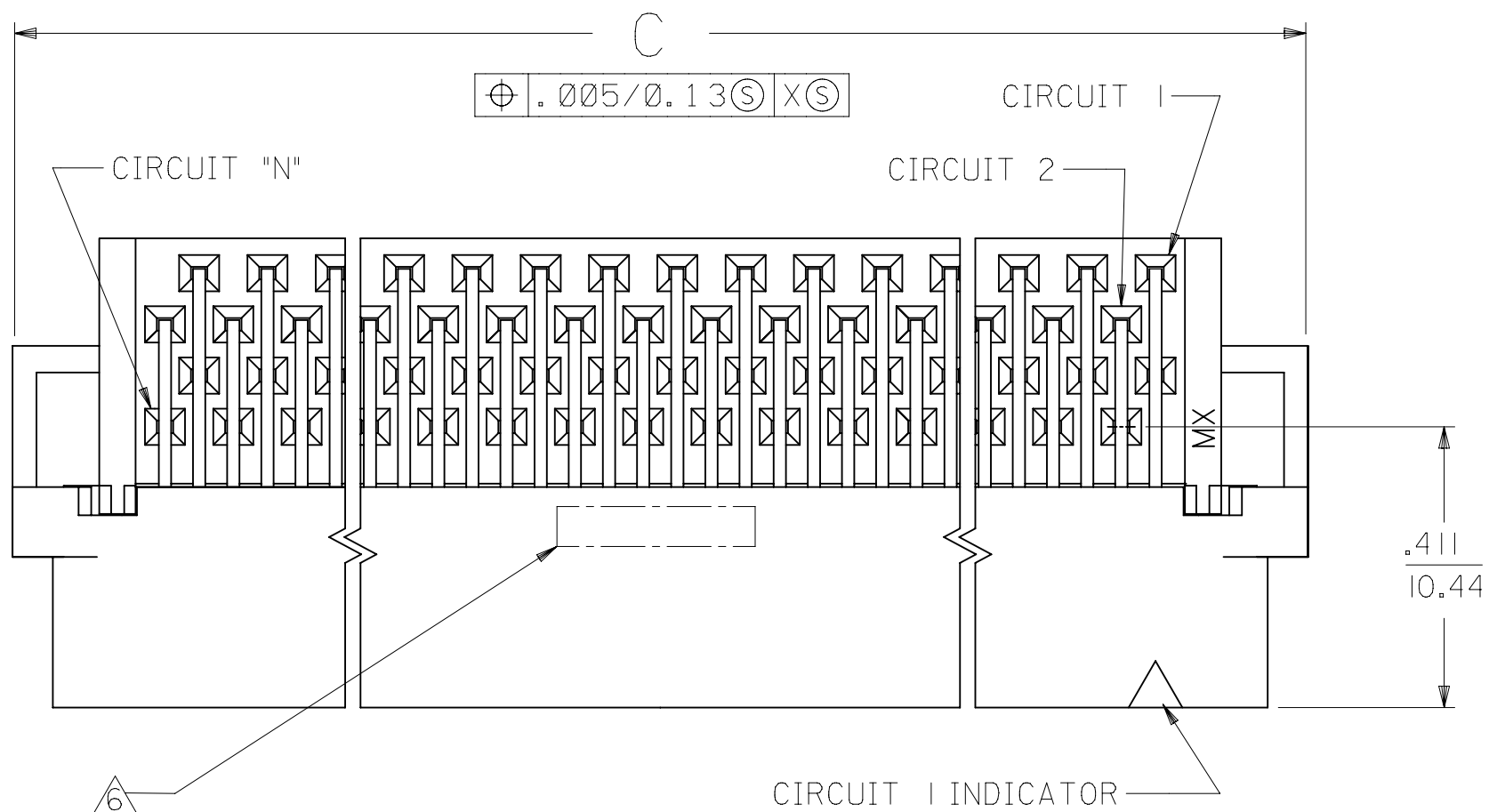
4. CONFORMS TO PRODUCT SPEC: PS-71660

5. RECOMMENDED PC BOARD THICKNESS IS .062/1.60

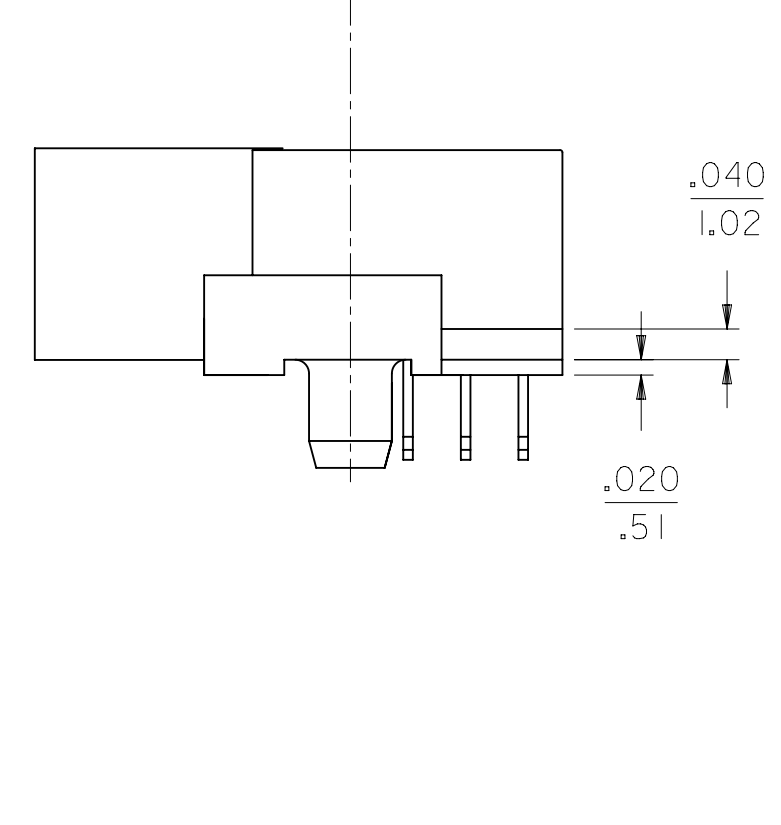
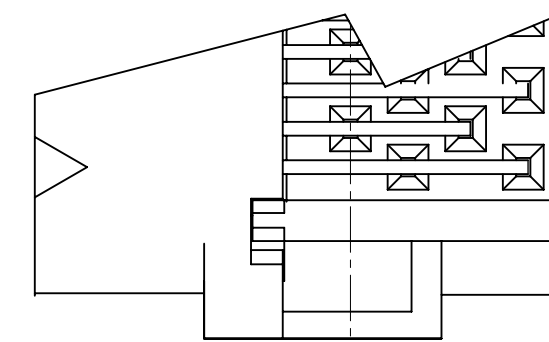
6. FOUR DIGIT DATE CODE (WK, YR) EXAMPLE 26 96 LOCATED IN AREA SHOWN

7. TOOLING STATUS: "X" INDICATES NO TOOLING AVAILABLE

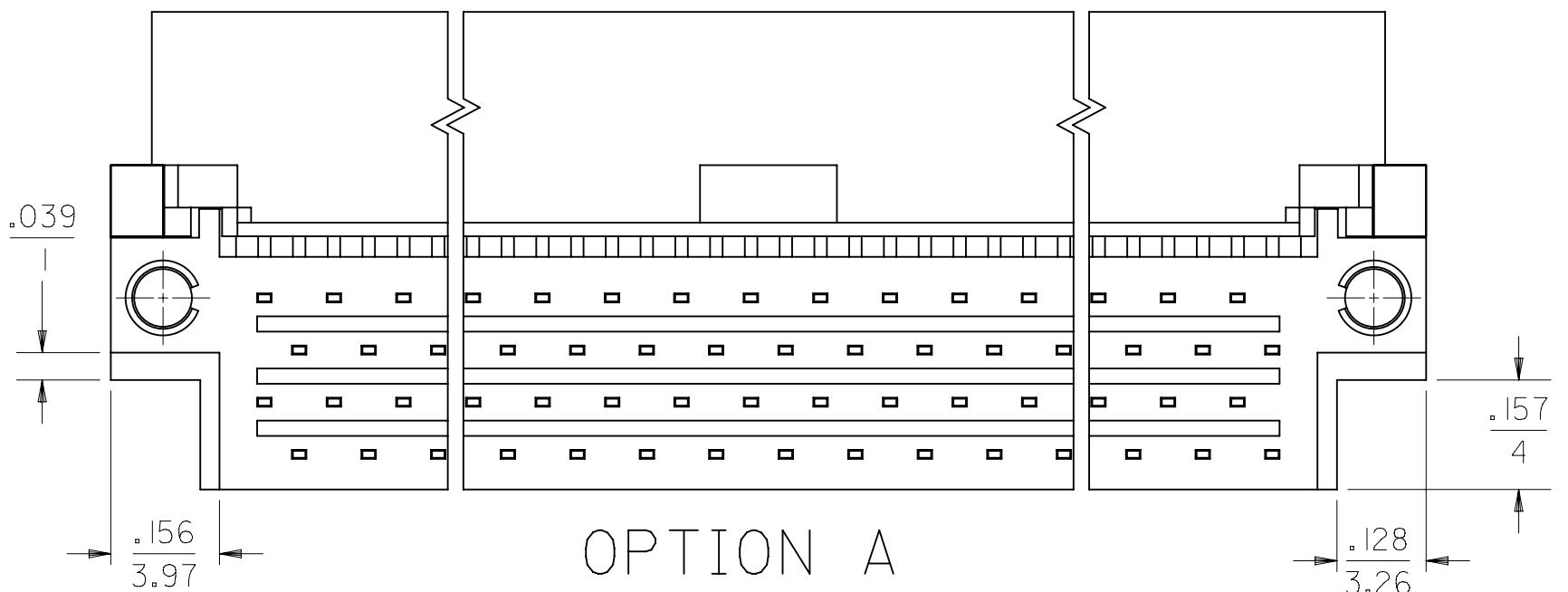
CONTACT FACTORY FOR FURTHER INFORMATION



END DETAIL
OPTION A
(BOTH ENDS)

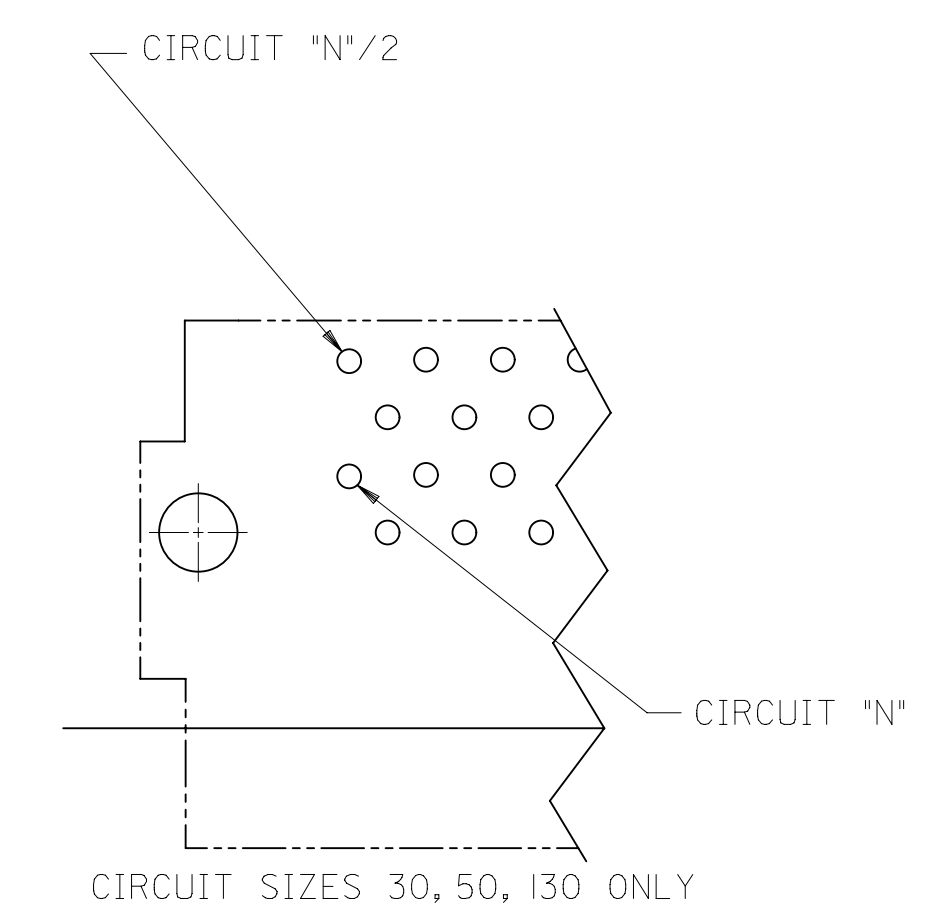
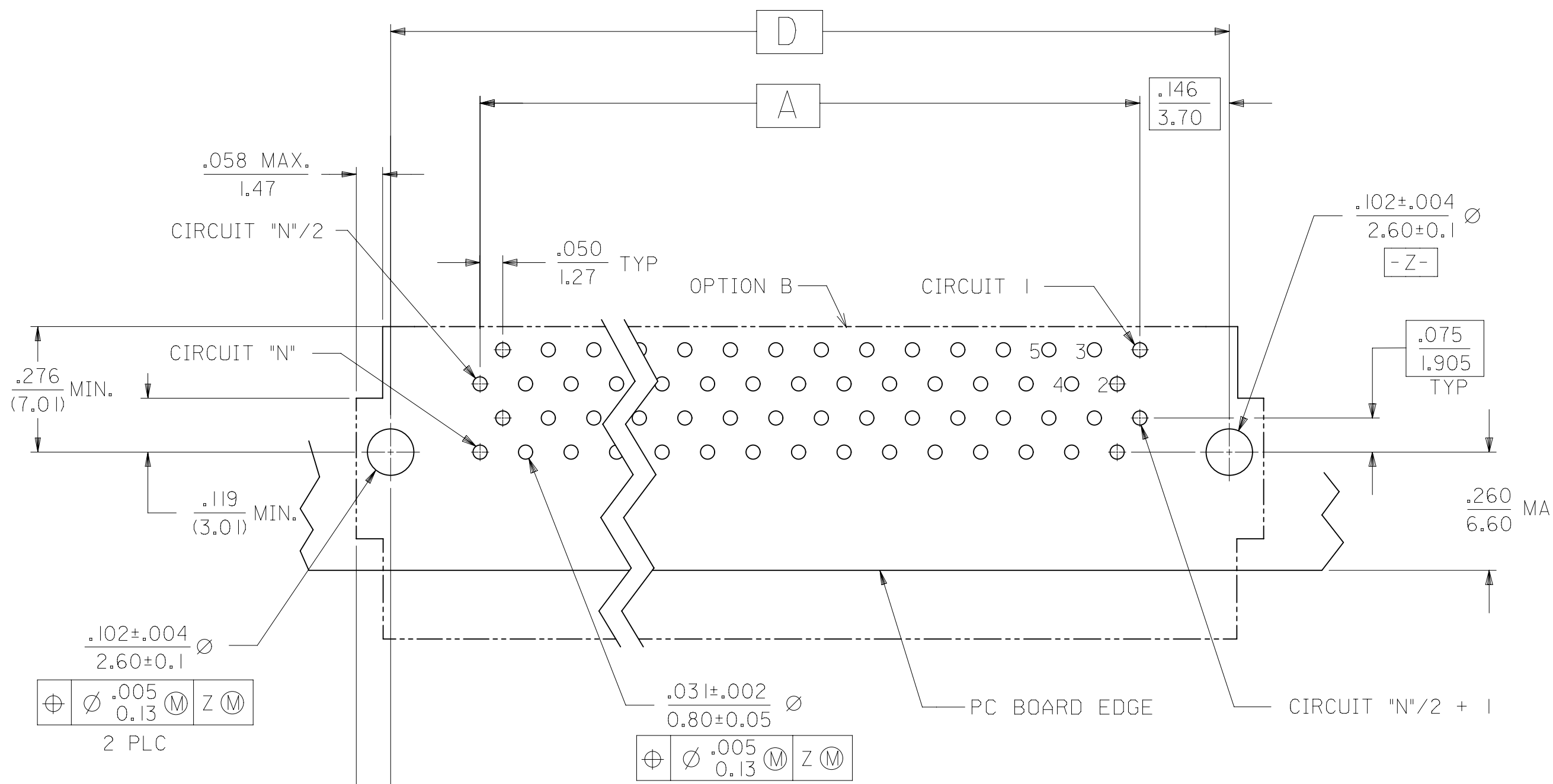


END DETAIL
OPTION B
(BOTH ENDS)

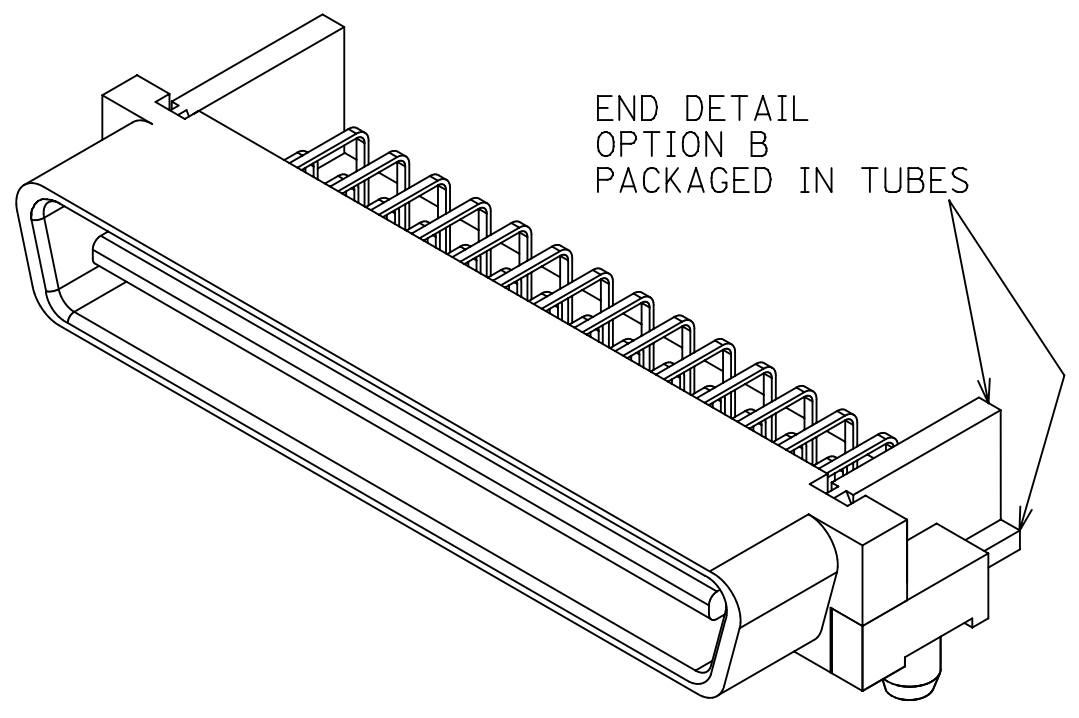
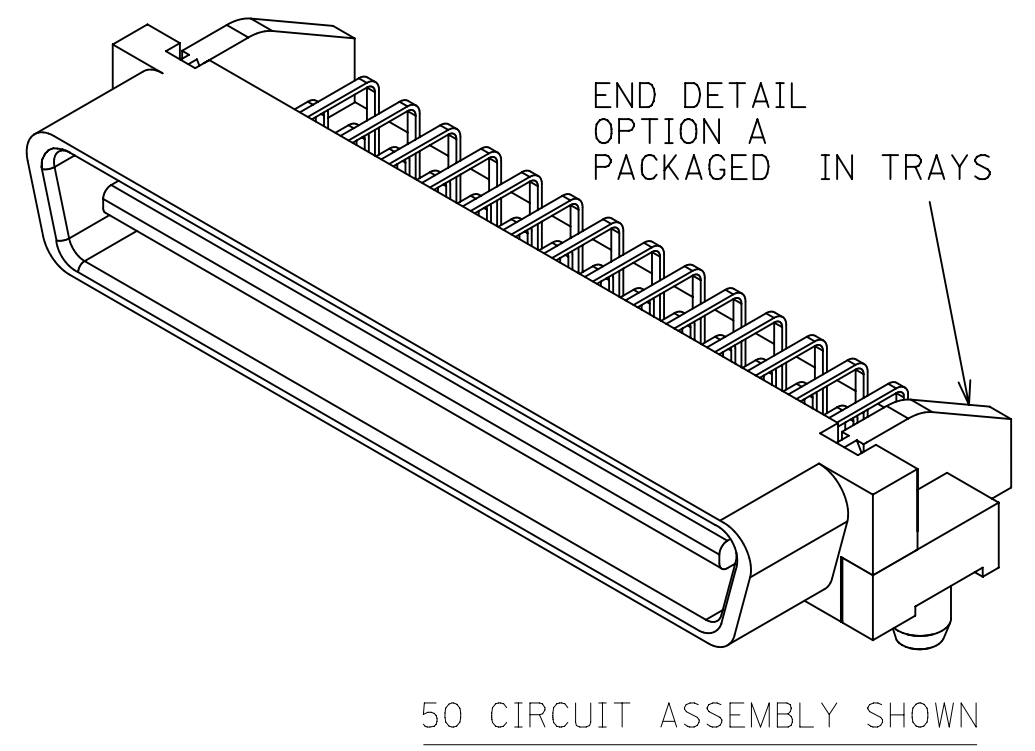


OPTION A


THIS DRAWING CONTAINS INFORMATION THAT IS PROPRIETARY TO MOLEX ELECTRONIC TECHNOLOGIES, LLC AND SHOULD NOT BE USED WITHOUT WRITTEN PERMISSION											
DIMENSION UNITS		SCALE		CURRENT REV DESC: REMOVED OBSOLETE PART NUMBER AS PER PCN#510808.							
INCH		4:1									
GENERAL TOLERANCES (UNLESS SPECIFIED)				EC NO: 736640		2023/01/31		SALES ASSEMBLY EBBI 50D RIGHT ANGLE PLUG CONNECTOR			
4 PLACES		±		DRWN: LIKITV		2023/02/16					
3 PLACES		±		CHK'D: GGA		2023/02/16		PRODUCT CUSTOMER DRAWING			
2 PLACES		± 0.25		APPR: GGA		2023/02/16					
1 PLACE		±		INITIAL REVISION:				DOCUMENT NUMBER SDA-71661-2XXX			
0 PLACES		±		DRWN: DRAWN BY		0099/99/99					
ANGULAR TOL		± 0.5°		APPR: APPR BY		0099/99/99		REVISION R1			
DRAFT WHERE APPLICABLE MUST REMAIN WITHIN DIMENSIONS				THIRD ANGLE PROJECTION		DRAWING		SERIES		SHEET NUMBER	
						C-SIZE		71661		1 OF 2	



RECOMMENDED PC BOARD LAYOUT 
COMPONENT SIDE



TRAY PACK
 PER SPEC.
 PK-70873-084*
 END DETAIL
 OPTION "A"

.110 (2.79)	2.741 (69.63)	2.892 (73.45)	2.676 (67.97)	2.450 (62.23)	100	71661-2100
	1.241 (31.53)	1.392 (35.35)	1.176 (29.87)	.950 (24.13)	40	71661-2040
	.991 (25.18)	1.142 (29.00)	.925 (23.52)	.700 (17.78)	30	71661-2030
E	D	C	B	A	CKT ("N")	 ITEM NUMBER

THIS DRAWING CONTAINS INFORMATION THAT IS PROPRIETARY TO MOLEX ELECTRONIC TECHNOLOGIES, LLC AND SHOULD NOT BE USED WITHOUT WRITTEN PERMISSION

DIMENSION UNITS INCH	SCALE 4:1	CURRENT REV DESC: REMOVED OBSOLETE PART NUMBER AS PER PCN#510808.	molex		
GENERAL TOLERANCES (UNLESS SPECIFIED)		EC NO: 736640			
4 PLACES ±	MM INCH	DRWN: LIKITV 2023/01/31	PRODUCT CUSTOMER DRAWING		
3 PLACES ±	± 0.01	CHK'D: GGA 2023/02/16	DOCUMENT NUMBER		
2 PLACES ±	0.25 ±	APPR: GGA 2023/02/16	SDA-71661-2XXX		
1 PLACE ±	±	INITIAL REVISION:	DOC TYPE	DOC PART	REVISION
0 PLACES ±	±	DRWN: DRAWN BY 0099/99/99	PSD	001	R1
ANGULAR TOL ±	0.5 °	APPR: APPR BY 0099/99/99	SHEET NUMBER		
DRAFT WHERE APPLICABLE MUST REMAIN WITHIN DIMENSIONS	THIRD ANGLE PROJECTION	DRAWING C-SIZE	SERIES 71661	MATERIAL NUMBER see table	CUSTOMER GENERAL MARKET