

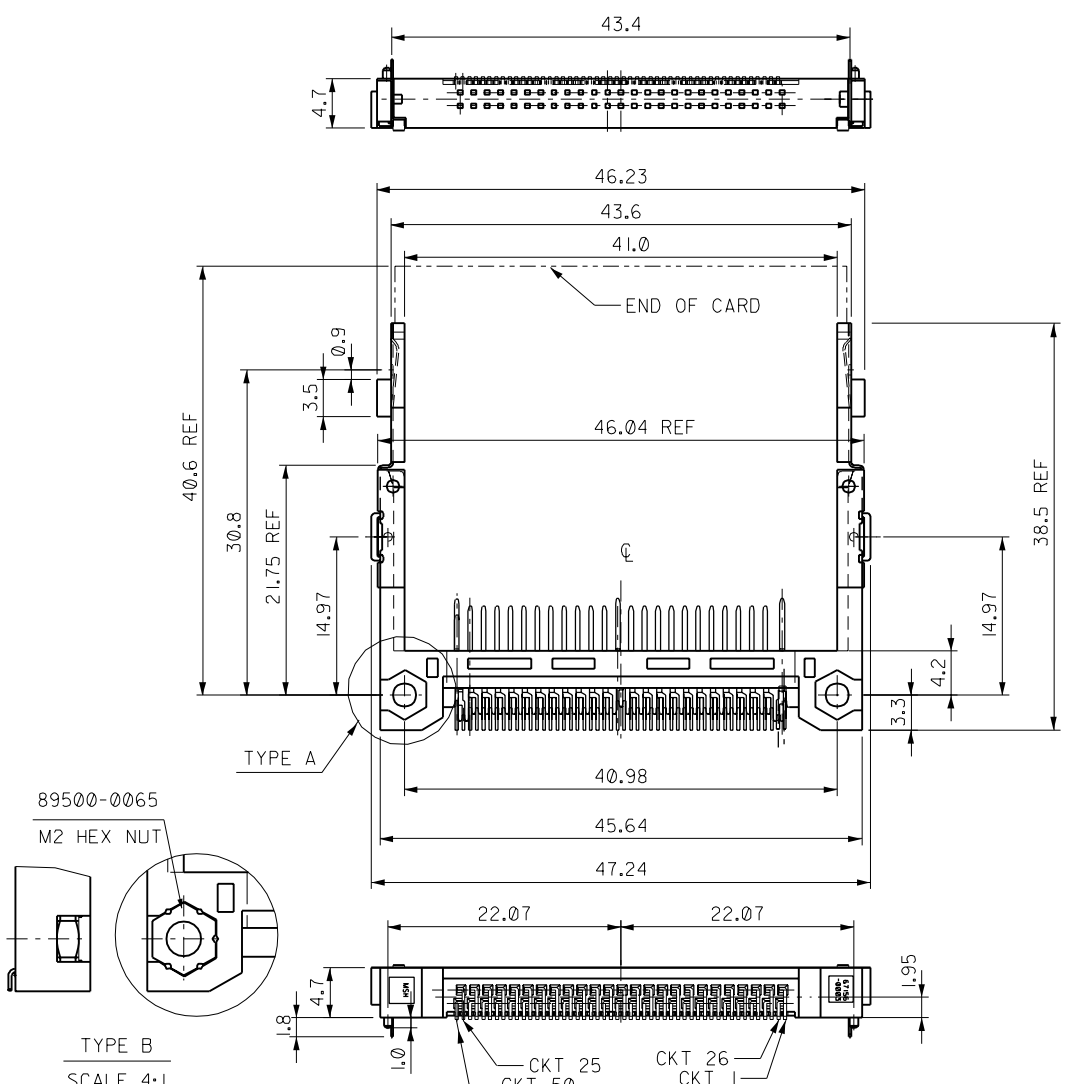
ENG. NO. SEE TABLE

EDP NO.

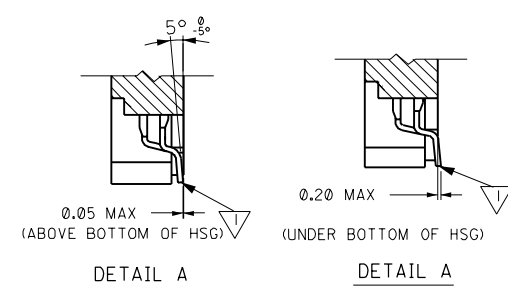
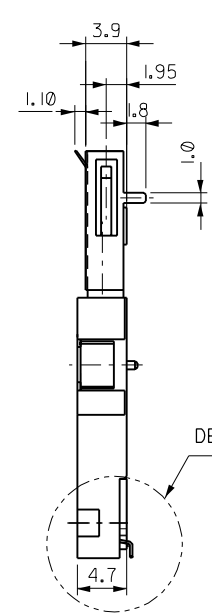
SIMILAR ITEM

CADFILE NO.S6748703.S01

DO NOT SCALE DRAWING



NOTES:  
 ▽ COPLANARITY OF ALL SOLDERING TAILS AND FITTING NAILS TO BE LESS THAN 0.15 mm.



PART NO	DESCRIPTION	TYPE
67487-0001	W/O SCREW NUT FALLING OFF PREVENTING STAKING	A
67487-0002	WITH SCREW NUT FALLING OFF PREVENTING STAKING	B

2	B
1	B
SHT	REV
REVISE ON CAD ONLY	

RTM EC NO.T2001-0183 DRWN: EMILY 01/06/12 CHK: MICHAEL LAI APPR: MICHAEL LAI	NEW RELEASE EC NO.T2001-0113 DRWN: EMILY 01/2/06 CHK: MEGA LIN APPR: MEGA LIN	DESCRIPTION MAJOR CRITICAL	QUALITY SYMBOLS		GENERAL TOLERANCES: (UNLESS SPECIFIED)		SCALE 2 : 1	DESIGN UNITS <input checked="" type="checkbox"/> mm <input type="checkbox"/> INCH	THIRD ANGLE PROJECTION <input checked="" type="checkbox"/> <input type="checkbox"/>	DIMENSIONS: <input type="checkbox"/> mm <input type="checkbox"/> INCH <input type="checkbox"/> mm <input checked="" type="checkbox"/> INCH ONLY		SHEET NO. 1 OF 2
			4 PLACES ± . ± .	3 PLACES ± . ± .	2 PLACES ±0.25 ±.010	1 PLACE ±0.25 ±.010	ANGULAR: ±2°	DRAWN BY & DATE Tom Lu 00/09/06	CHECKED BY & DATE	TITLE: 50 CKT CF SMT HEADER ASS'Y (STANDARD TYPE)	APPROVED BY & DATE	MATERIAL NO. SEE TABLE
B	A	REV	DRAFT WHERE APPLICABLE MUST REMAIN WITHIN DIMENSIONS		THIS DRAWING CONTAINS INFORMATION THAT IS PROPRIETARY TO MOLEX INCORPORATED AND SHOULD NOT BE USED WITHOUT WRITTEN PERMISSION.		CAD FILENAME S6748703.S01		MATERIAL NO. SEE TABLE		DRAWING NO. SD-67487-003	SHEET NO. 1 OF 2

ENG. NO SEE TABLE

EDP NO.

SIMILAR ITEM

CADFILE NO. S6748703.S02

DO NOT SCALE DRAWING

NOTES:

1. MATERIAL : HOUSING: HIGH TEMP PLASTIC, UL94 V-0, COLOR: IVORY  
TERMINAL: COPPER ALLOY  
SHELL : COPPER ALLOY

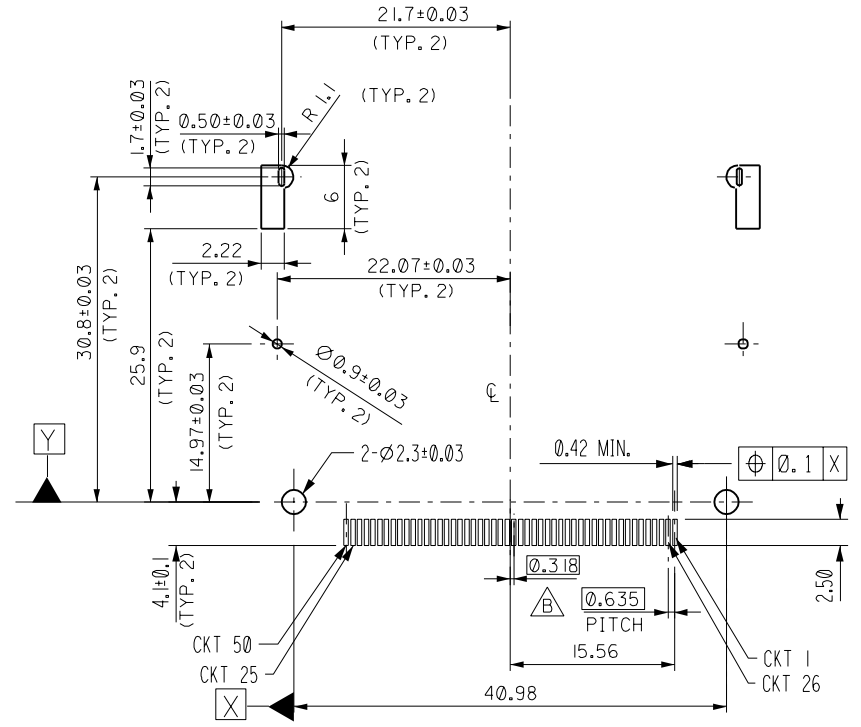
2. PLATING: TERMINAL

CONTACT AREA: GOLD FLASH (Au) OVER Pd-Ni  
SOLDERING TAIL: TIN-LEAD NICKEL OVERALL

METAL SHELL

GROUING : GOLD FLASH  
FITTING NAIL : GOLD FLASH  
BOARD LOCK : GOLD FLASH OVER NICKEL OVERALL

- 3. RECOMMENDED PCB THICKNESS: 1.20 mm.
- 4. THE COPLANARITY OF SOLDER TAILS SHOULD BE WITHIN 0.12 mm.
- 5. FOR PRODUCT SPECIFICATION: REFER TO PS-67487-004.
- 6. PACKAGE REF. TO PK-67487-001.



RECOMMENDED PCB LAYOUT

RTM EC NO. T2001-0183 DRW: EMILY 01/06/12 CHK: MICHAEL LAI APPR: MICHAEL LAI NEW RELEASE	EC NO. T2001-0113 DRW: EMILY 01/2/06 CHK: MEGA LIN APPR: MEGA LIN	QUALITY SYMBOLS MAJOR CRITICAL	GENERAL TOLERANCES: (UNLESS SPECIFIED)		SCALE 2:1	DESIGN UNITS <input checked="" type="checkbox"/> mm <input type="checkbox"/> INCH	THIRD ANGLE PROJECTION	DIMENSIONS:		SHT	REV	
			mm	INCH	<input type="checkbox"/> mm <input type="checkbox"/> INCH <input type="checkbox"/> mm <input checked="" type="checkbox"/> mm <input type="checkbox"/> ONLY		REVISION ON CAD ONLY					
			4 PLACES ± .	± .	DRAWN BY & DATE EMILY 00/06/08		TITLE: 50 CKT CF SMT HEADER ASS'Y (STANDARD TYPE)					
			3 PLACES ± .	± .	CHECKED BY & DATE							
2 PLACES ±0.25	±.010	APPROVED BY & DATE		MOLEX INCORPORATED								
1 PLACE ±0.25	±.010	ANGULAR: ±2°										
B	A	REV	DRAFT WHERE APPLICABLE MUST REMAIN WITHIN DIMENSIONS		CAD FILENAME S6748703.S02	MATERIAL NO. SEE TABLE	DRAWING NO. SD-67487-003	SHEET NO. 2	THIS DRAWING CONTAINS INFORMATION THAT IS PROPRIETARY TO MOLEX INCORPORATED AND SHOULD NOT BE USED WITHOUT WRITTEN PERMISSION.			

F  
E  
D  
C  
B  
A