

1 2 3 4 5 6 7 8

F

F

E

E

D

D

C

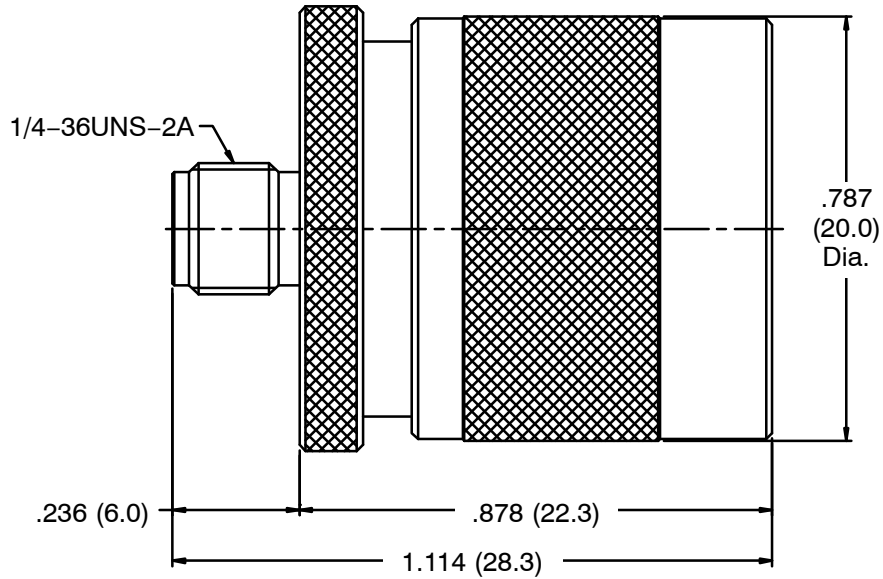
C

B

B

A

A



NOTES: Finish (Plating Thickness in Micro-inches)
 1. Brass
 2. Nickel Pl. 100 Min Thick over Copper Pl. 50 Min. Thick
 3. Phosphor Bronze
 4. Gold Pl. 3 Min Thick over Nickel Pl. 50 Min. Thick over Copper Pl. 50 Min. Thick
 5. Teflon

RoHS Compliant

Dimensions are in Inches										Part No.		NTE Electronics	
Unless Otherwise Specified Tolerances										Approved			
0.5-6 = ±0.2										Checked		Date	
6-30 = ±0.4										Drawn		Date	
30-120 = ±0.6												10-15-2010	
120-315 = ±1												10-15-2010	
315-1000 = ±1.6												10-15-2010	
1000-2000 = ±2.4												10-15-2010	
Title										Title		SMA Female to N Male Adapter	
Drawing No.										Drawing No.		06-N016	
File No.										File No.			

No	Description	Material	Finish	Q'ty	Drawing No.	Scale	3/1	Issue	A1
7	Shell	Note 1	Note 2	1					
6	Gasket	Silicone	Red	1					
5	Retainer Ring	Note 3	Natural	1					
4	Contact Body	Note 1	Note 2	1					
3	Contact Pin	Note 3	Note 4	1					
2	Insulator	Note 5	Natural	1					
1	Body	Note 1	Note 2	1					

1 2 3 4 5 6 7 8