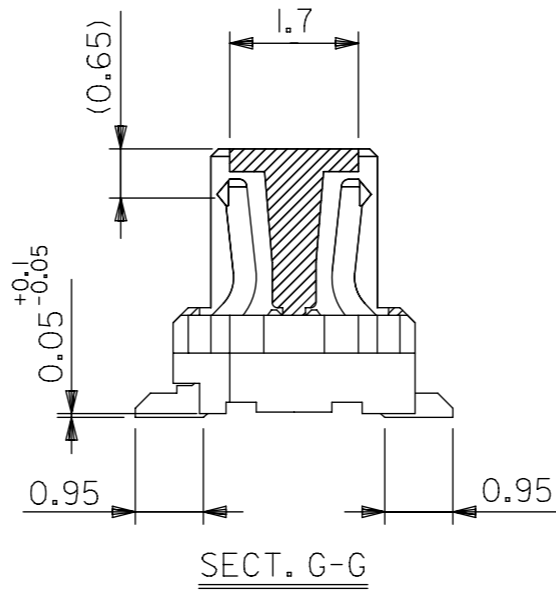
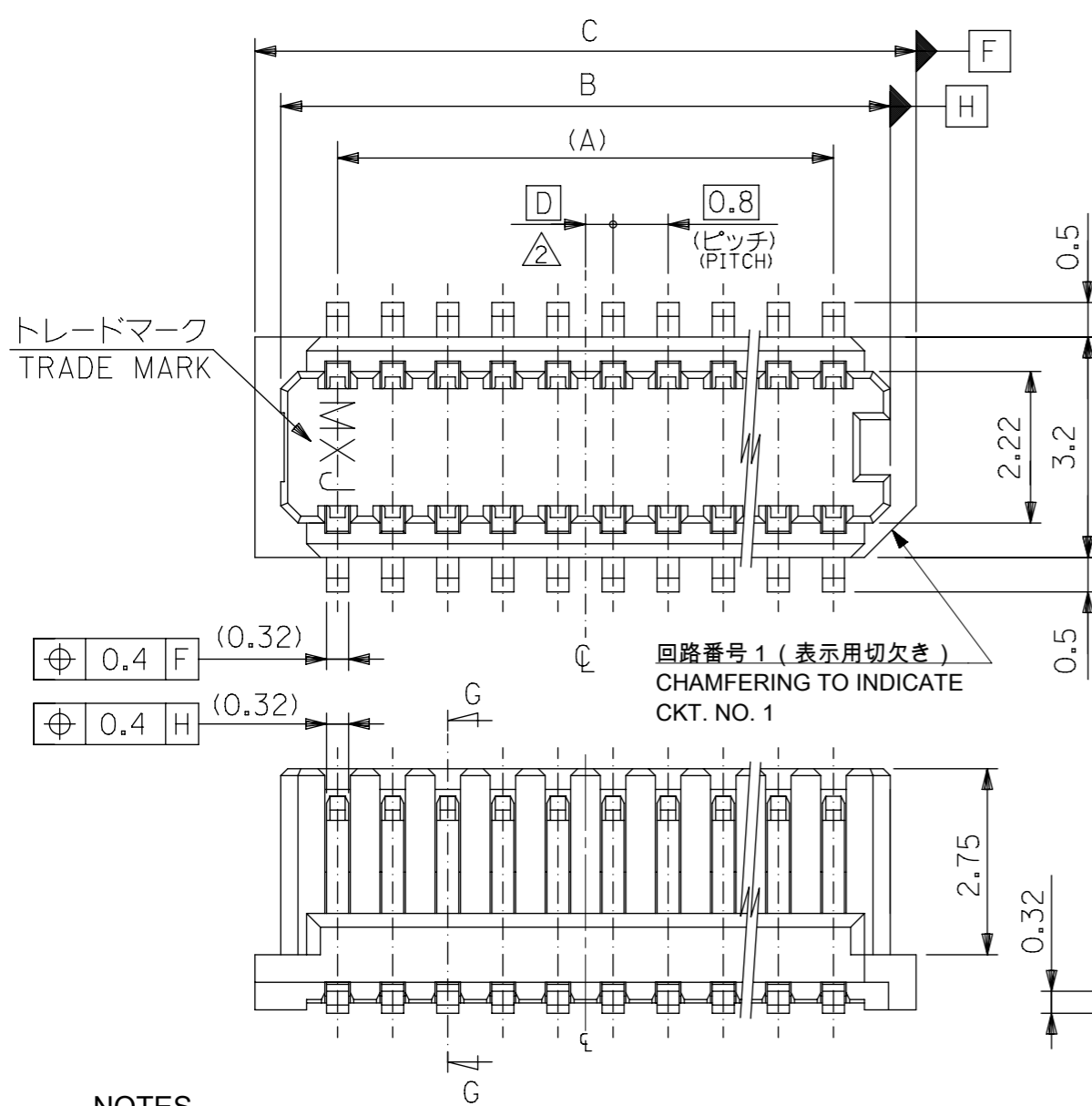
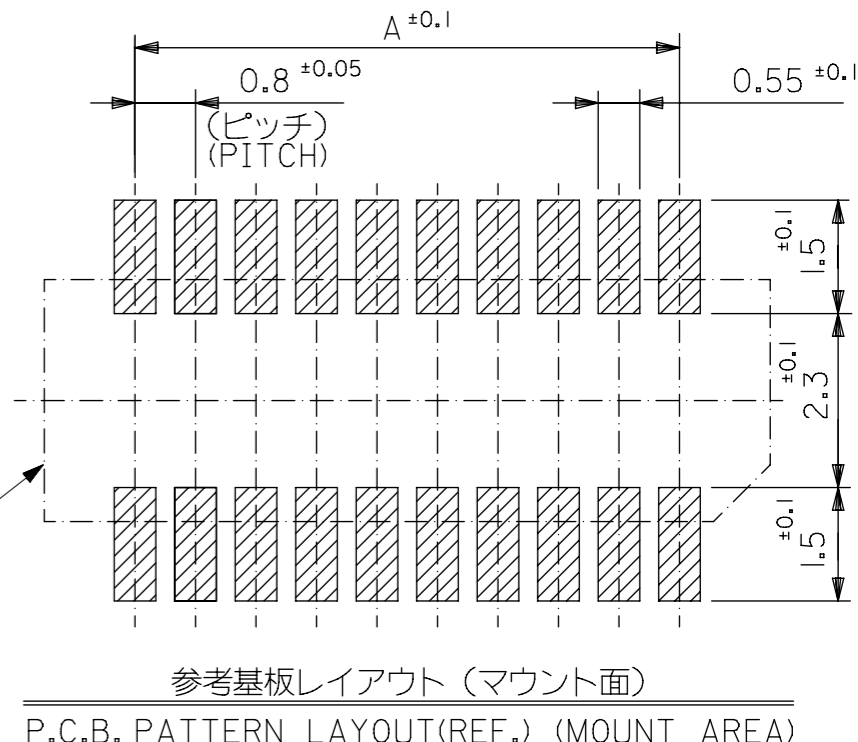


トレードマーク
TRADE MARK



コネクタ位置
CONNECTOR
POSITION



参考基板レイアウト (マウント面)
P.C.B. PATTERN LAYOUT (REF.) (MOUNT AREA)

回路番号 1 (表示用切欠き)
CHAMFERING TO INDICATE
CKT. NO. 1

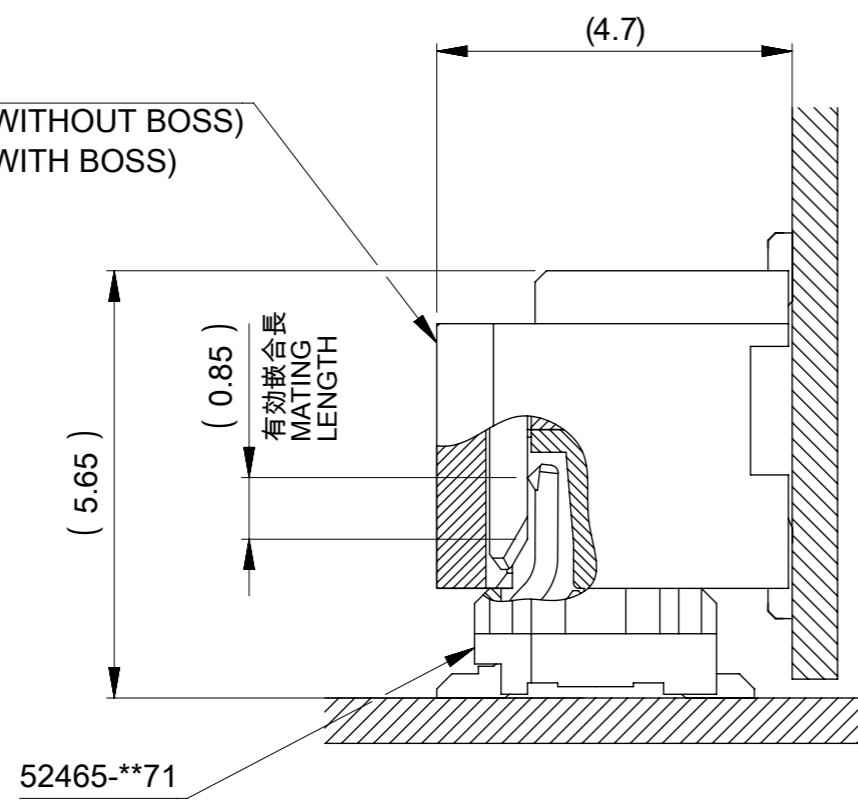
NOTES

1. 嵌合相手 : 53307, 53309シリーズ
MATE WITH : 53307, 53309 SERIES
2. ハウジングの ϕ から隣接するターミナルの ϕ 迄の位置を示す。
SHOW POSITION FROM ϕ OF HOUSING TO ϕ OF ADJACENT TERMINALS.
3. 一対の基板の嵌合に於いて、本製品を 2 個以上使用することは推奨できません。
MXJ DOES NOT RECOMMEND THE USAGE OF TWO OR MORE OF THESE CONNECTORS BETWEEN A SINGLE PAIR OF P.C.BOARD.
4. 本製品は 52465-**27の鉛フリー品である。
THIS PRODUCT IS LEAD FREE OF 52465-**27.
5. ELV及びRoHS適合品
ELV AND RoHS COMPLIANT.
6. 使用材料 MATERIAL
ハウジング HOUSING : POLYAMIDE GLASS FILLED, UL94V-0 (WHITE)
ターミナル TERMINAL : 燐青銅 PHOSPHOR BRONZE t=0.32
7. めっき仕様 PLATING
ターミナル TERMINAL : 錫めっき/ニッケル下地 TIN OVER NICKEL PLATED
8. テール平坦度は 0.1mm MAX
TAIL COPLANALITY TO BE 0.1mm MAXIMUM.

0.4	17.6	16.85	15.2	52465-4071	40
0.4	16.0	15.25	13.6	52465-3671	36
0.4	14.4	13.65	12.0	52465-3271	32
0.8	13.6	12.85	11.2	52465-3071	30
0.4	12.8	12.05	10.4	52465-2871	28
0.8	12.0	11.25	9.6	52465-2671	26
0.4	11.2	10.45	8.8	52465-2471	24
0.8	10.4	9.65	8.0	52465-2271	22
0.4	9.6	8.85	7.2	52465-2071	20
0.8	8.8	8.05	6.4	52465-1871	18
0.4	8.0	7.25	5.6	52465-1671	16
0.8	7.2	6.45	4.8	52465-1471	14
0.4	6.4	5.65	4.0	52465-1271	12
0.8	5.6	4.85	3.2	52465-1071	10
D	C	B	A	EMBOSSED TAPE PACKAGE	CKT
ORDER NO					

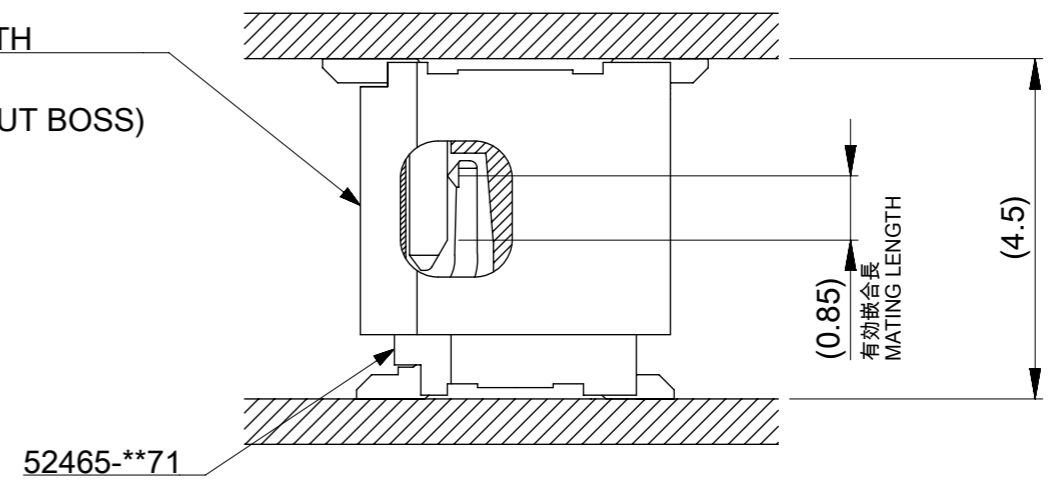
THIS DRAWING CONTAINS INFORMATION THAT IS PROPRIETARY TO MOLEX ELECTRONIC TECHNOLOGIES, LLC AND SHOULD NOT BE USED WITHOUT WRITTEN PERMISSION		CURRENT REV DESC:			
DIMENSION UNITS	SCALE	EC NO: 750938			
mm	10:1	DRWN: RAJAGN 2023/05/19		0.8 MM PITCH B-TO-B CONN. RECEPTACLE (WITHOUT BOSS)	
GENERAL TOLERANCES (UNLESS SPECIFIED)		CHK'D: HSHIMUYAMA 2023/05/25			
ANGULAR TOL ± 30°		APPR: YNAITO 2023/05/25		PRODUCT CUSTOMER DRAWING	
4 PLACES ± 0.2		INITIAL REVISION:		DOCUMENT NUMBER	
3 PLACES ± 0.25		DRWN: YSAKIYAMA 2004/02/23		SD-52465-028	
2 PLACES ± 0.3		APPR: MSASAO 2004/02/24		DOC TYPE DOC PART REVISION	
1 PLACE ±		THIRD ANGLE PROJECTION		PSD 001 C	
0 PLACES ±		DRAWING		SHEET NUMBER	
DRAFT WHERE APPLICABLE MUST REMAIN WITHIN DIMENSIONS		SERIES		GENERAL MARKET 1 OF 2	
		A3-SIZE			

嵌合相手 MATE WITH
53309-**70 (BOSS無し WITHOUT BOSS)
53309-**71 (BOSSあり WITH BOSS)



嵌合状態図 (参考)
MATED DRAWING(REF.)

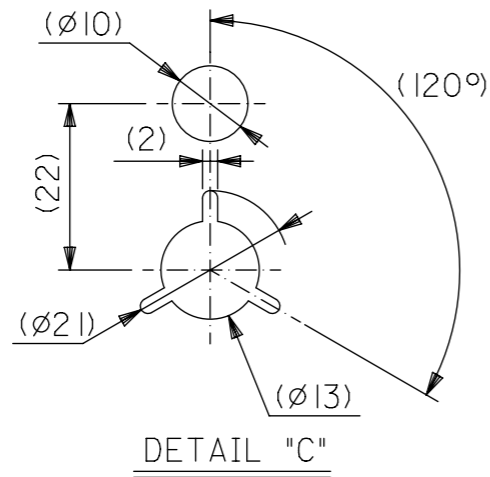
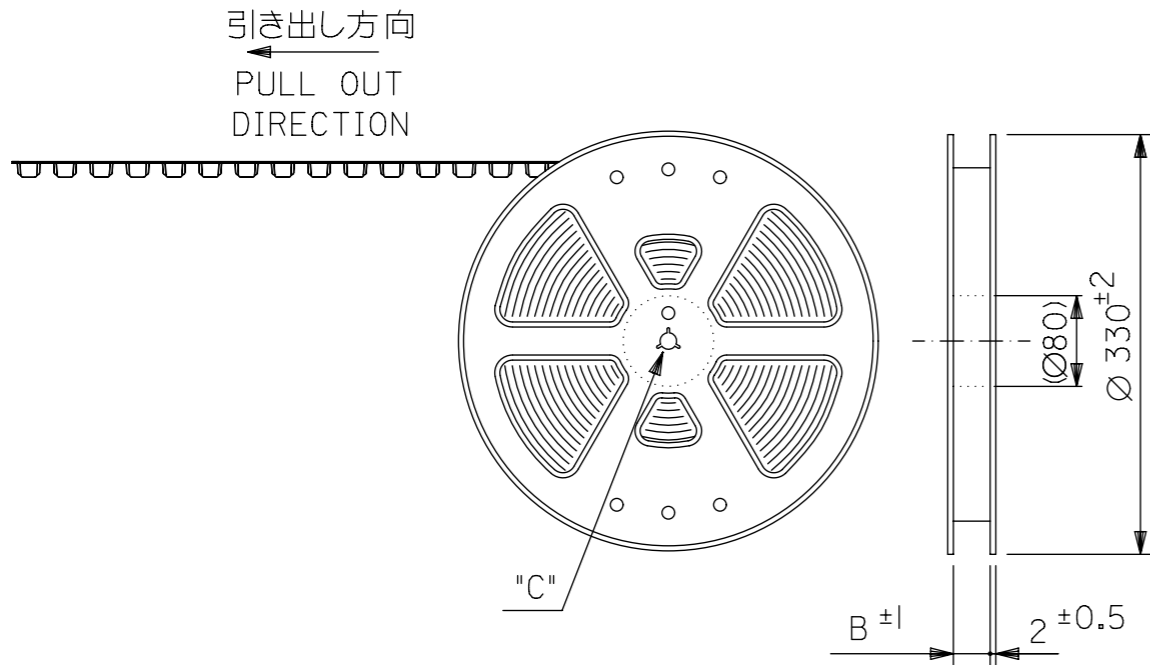
嵌合相手 MATE WITH
53307-**71
(BOSS無し WITHOUT BOSS)



嵌合状態図 (参考)
MATED DRAWING(REF.)

THIS DRAWING CONTAINS INFORMATION THAT IS PROPRIETARY TO MOLEX ELECTRONIC TECHNOLOGIES, LLC AND SHOULD NOT BE USED WITHOUT WRITTEN PERMISSION

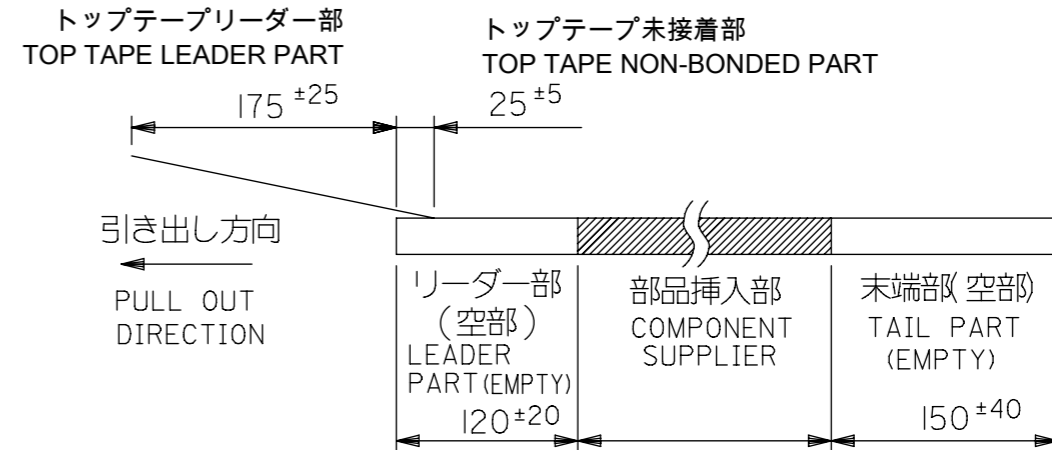
DIMENSION UNITS mm		SCALE 1:1	CURRENT REV DESC:		molex	
GENERAL TOLERANCES (UNLESS SPECIFIED)		ANGULAR TOL ± 30°	EC NO: 750938 DRWN: RAJAGN CHK'D: HSHIMOYAMA APPR: YNAITO			
10 ^{UNDER}	±0.2	4 PLACES	± 0.2	2023/05/19	0.8 MM PITCH B-TO-B CONN. RECEPTACLE (WITHOUT BOSS)	
10 ^{OVER} 30 ^{UNDER}	±0.25	3 PLACES	± 0.25	2023/05/25	PRODUCT CUSTOMER DRAWING	
30 ^{OVER}	±0.3	2 PLACES	± 0.3	2023/05/25	DOCUMENT NUMBER SD-52465-028	
ANGULAR±3°		1 PLACE	±	INITIAL REVISION: DRWN: YSAKIYAMA APPR: MSASAO	DOC TYPE PSD	DOC PART 001
DRAFT WHERE APPLICABLE MUST REMAIN WITHIN DIMENSIONS		0 PLACES	±	2004/02/23 2004/02/24	REVISION C	SHEET NUMBER 2 OF 2
THIRD ANGLE PROJECTION		DRAWING	SERIES	MATERIAL NUMBER	CUSTOMER	
		A3-SIZE	52465		GENERAL MARKET	



NOTES

1. 梱包数量 : 1000個/リール NUMBER OF CONNECTORS : 1000PCS/REEL

2. リードテープ長さ LEAD TAPE LENGTH



3. トップテープの剥離強度についてはIEC60286-3に準拠。
TOP TAPE PEEL FORCE IS DEFINED BY IEC60286-3.

4. 材料 キャリアテープ : ポリプロピレン (PP)
トップテープ : PET, PE, PEF
リール : ポリスチレン (PS) <リサイクル材を含む>

MATERIAL

CARRIER TAPE : POLYPROPYLENE

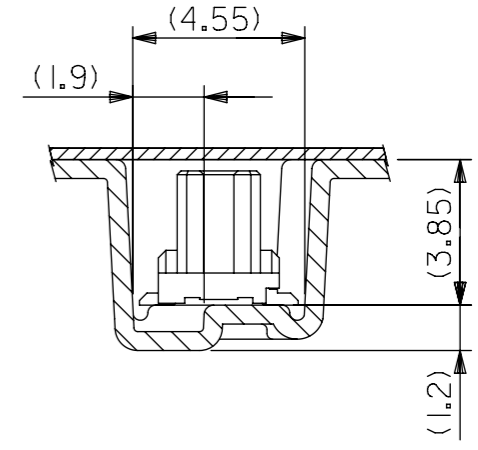
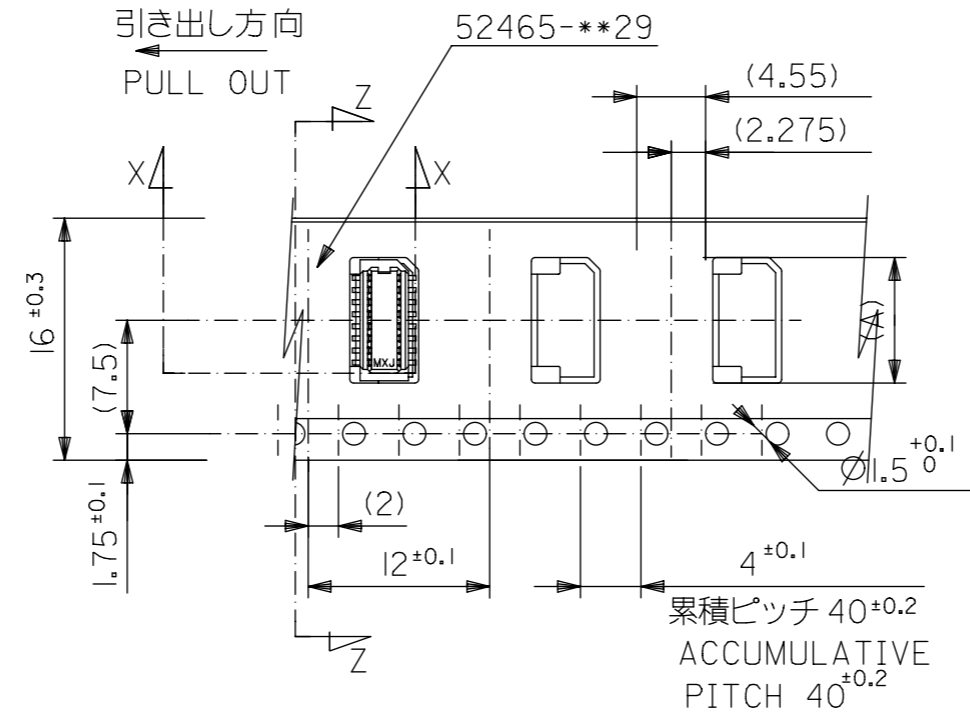
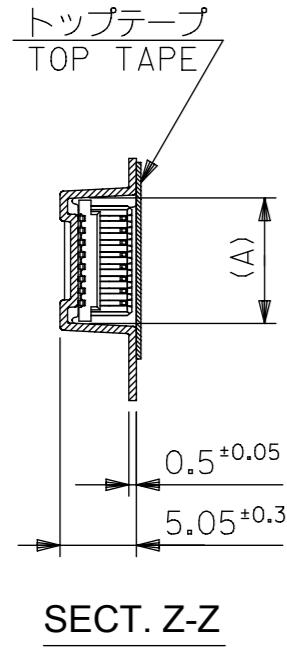
TOP TAPE : PET, PE, PEF

REEL : POLYSTYRENE (PS) < CONTAINED RECYCLE MATERIAL >

5. 本製品は52465-**91の鉛フリー品である。
THIS PRODUCT IS LEAD FREE OF 52465-**91.

THIS DRAWING CONTAINS INFORMATION THAT IS PROPRIETARY TO MOLEX ELECTRONIC TECHNOLOGIES, LLC AND SHOULD NOT BE USED WITHOUT WRITTEN PERMISSION

DIMENSION UNITS	SCALE	CURRENT REV DESC:	
mm	NTS		
GENERAL TOLERANCES (UNLESS SPECIFIED)		molex	
ANGULAR TOL ±		0.8 MM PITCH B-TO-B CONN. RECEPTACLE (WITHOUT BOSS) EMBOSS TAPE PACKAGE	
4 PLACES ±		PRODUCT CUSTOMER DRAWING	
3 PLACES ±		DOCUMENT NUMBER	
2 PLACES ±		SD-52465-029	
1 PLACE ±		DOC TYPE	
0 PLACES ±		PSD	
ANGULAR+3°		DOC PART	
DRAFT WHERE APPLICABLE MUST REMAIN WITHIN DIMENSIONS		001	
DRAFT WHERE APPLICABLE MUST REMAIN WITHIN DIMENSIONS		REVISION	
THIRD ANGLE PROJECTION		A	
DRAWING		SERIES	
A3-SIZE		52465	
MATERIAL NUMBER		CUSTOMER	
GENERAL MARKET		SHEET NUMBER	
1 OF 3			



SECT. X-X
(SCALE: 5-1)

16mm幅キャリアテープ
16mm WIDTH CARRIER TAPE

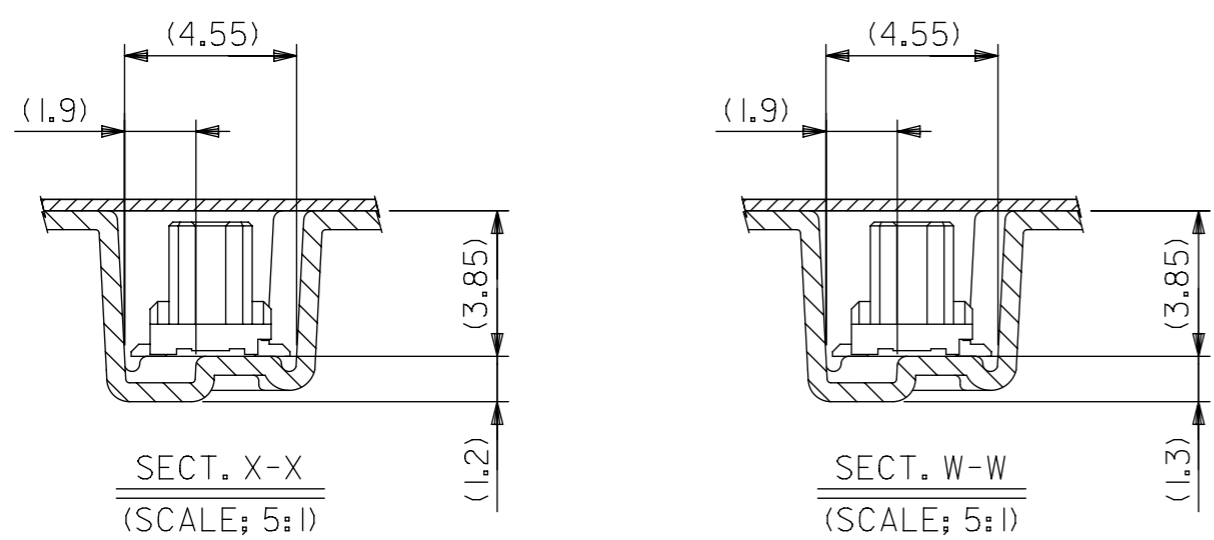
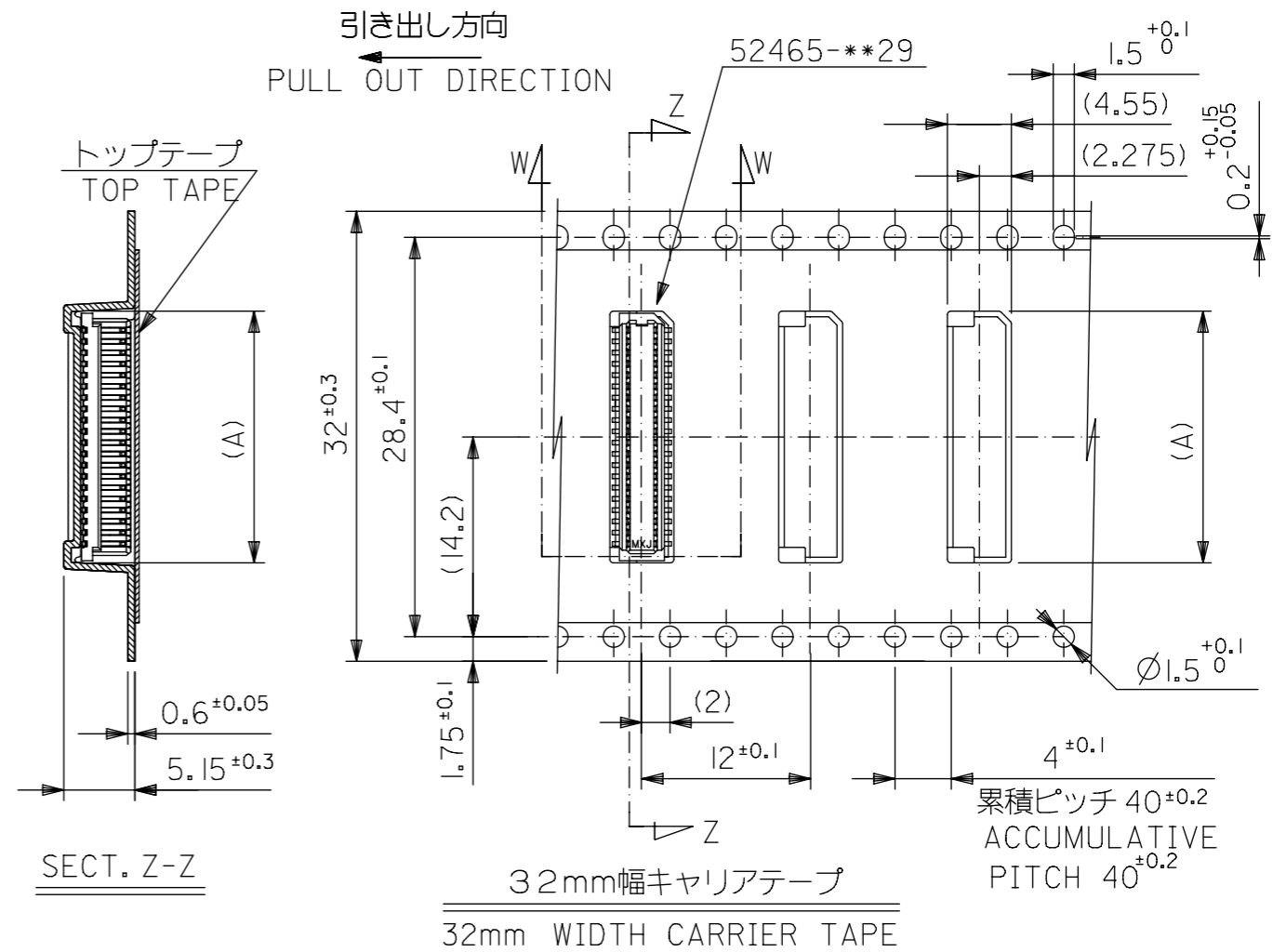
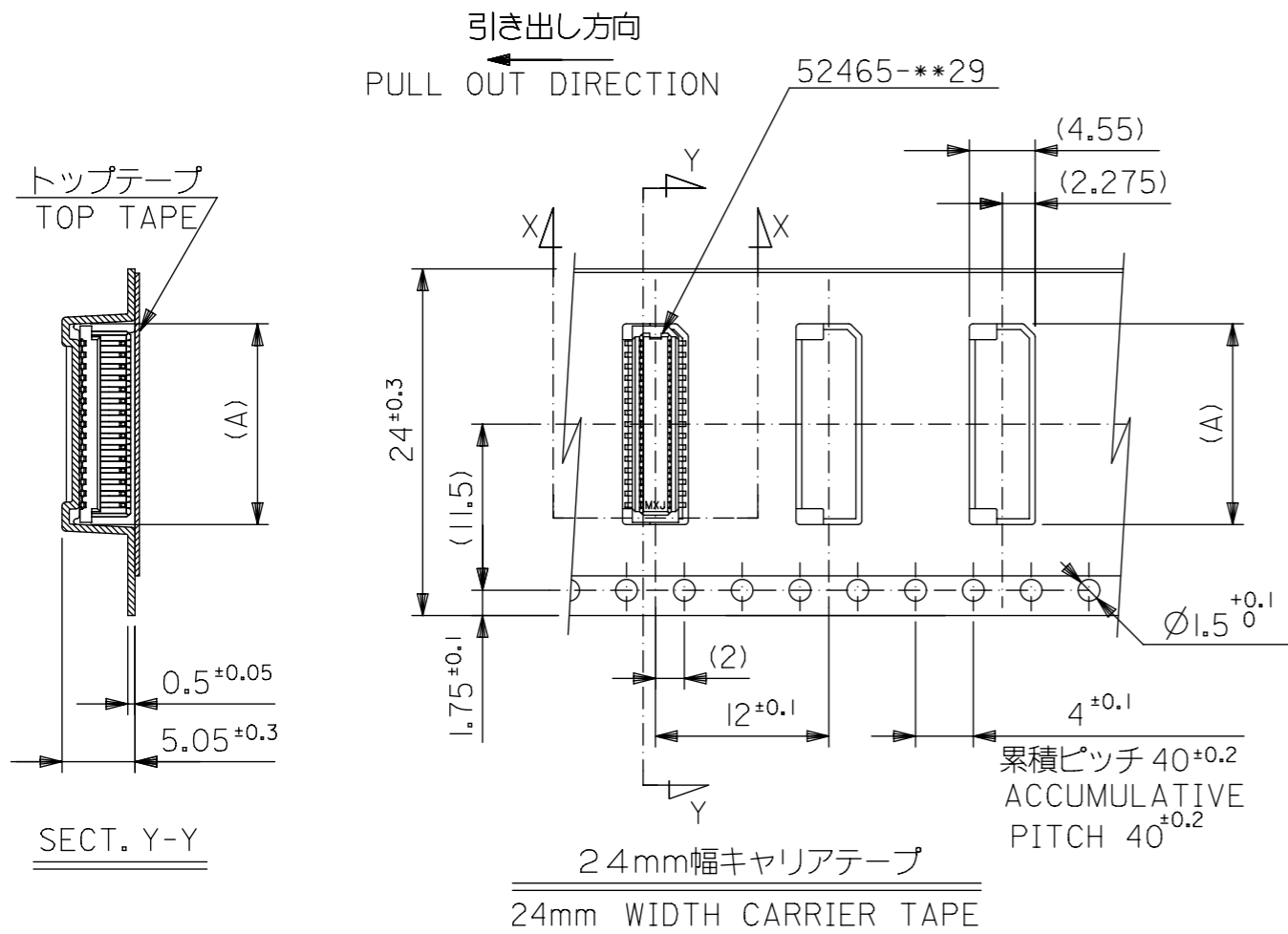
16	17.5	9.1	52465-1871	18	
		8.3	52465-1671	16	
		7.5	52465-1471	14	
		6.7	52465-1271	12	
		5.9	52465-1071	10	
キャリアテープ幅 CARRIER TAPE WIDTH		B	(A)	EMBOSSED TAPE PACKAGE	極数 CIRCUITS
				ORDER NO	

THIS DRAWING CONTAINS INFORMATION THAT IS PROPRIETARY TO MOLEX ELECTRONIC TECHNOLOGIES, LLC AND SHOULD NOT BE USED WITHOUT WRITTEN PERMISSION

DIMENSION UNITS	SCALE	CURRENT REV DESC:			
mm	NTS				
GENERAL TOLERANCES (UNLESS SPECIFIED)		molex			
ANGULAR TOL ±		0.8 MM PITCH B-TO-B CONN. RECEPTACLE (WITHOUT BOSS) EMBOSS TAPE PACKAGE			
4 PLACES ±		PRODUCT CUSTOMER DRAWING			
3 PLACES ±		DOCUMENT NUMBER			
2 PLACES ±		SD-52465-029			
1 PLACE ±		DOC TYPE			
0 PLACES ±		PSD			
DRAFT WHERE APPLICABLE MUST REMAIN WITHIN DIMENSIONS		THIRD ANGLE PROJECTION		DOC PART	
		DRAWING		REVISION	
		A3-SIZE		A	
		SERIES		SHEET NUMBER	
		52465		2 OF 3	
		MATERIAL NUMBER		CUSTOMER	
		GENERAL MARKET			

EC NO: 653700
DRWN: AHMADI2
CHK'D: HSHIMUYAMA
APPR: SHOSHIKAWA
2021/02/02
2021/02/26
2021/02/26

INITIAL REVISION:
DRWN: YSAKIYAMA
APPR: MSASAO
2004/02/23
2004/02/24



32	33.5	17.9	52465-4071	40
24	25.5	16.3	52465-3671	36
		14.7	52465-3271	32
		13.9	52465-3071	30
		13.1	52465-2871	28
		12.3	52465-2671	26
		11.5	52465-2471	24
		10.7	52465-2271	22
		9.9	52465-2071	20
キャリアテープ幅 CARRIER TAPE WIDTH	B	(A)	EMBOSSED TAPE PACKAGE	極数 CIRCUITS
			ORDER NO	

THIS DRAWING CONTAINS INFORMATION THAT IS PROPRIETARY TO MOLEX ELECTRONIC TECHNOLOGIES, LLC AND SHOULD NOT BE USED WITHOUT WRITTEN PERMISSION

DIMENSION UNITS	SCALE	CURRENT REV DESC:	molex		
mm	NTS				
GENERAL TOLERANCES (UNLESS SPECIFIED)		EC NO: 653700	0.8 MM PITCH B-TO-B CONN. RECEPTACLE (WITHOUT BOSS) EMBOSS TAPE PACKAGE		
ANGULAR TOL ±		DRWN: AHMADI2			
4 PLACES ±		2021/02/02	PRODUCT CUSTOMER DRAWING		
3 PLACES ±		CHK'D: HSHIMOYAMA			
2 PLACES ±		APPR: SHOSHIKAWA	DOCUMENT NUMBER	DOC TYPE	DOC PART
1 PLACE ±		INITIAL REVISION:	SD-52465-029	PSD	001
0 PLACES ±		DRWN: YSAKIYAMA	MATERIAL NUMBER	CUSTOMER	REVISION
		APPR: MSASAO	52465	GENERAL MARKET	A
DRAFT WHERE APPLICABLE MUST REMAIN WITHIN DIMENSIONS	DRAFT WHERE APPLICABLE MUST REMAIN WITHIN DIMENSIONS	THIRD ANGLE PROJECTION	DRAWING	SHEET NUMBER	
			A3-SIZE	3 OF 3	