

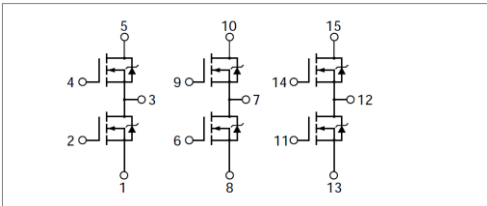
Absolute maximum ratings (T_a=25°C)

Symbol	Ratings	Unit
V _{DSS}	60	V
V _{GSS}	±20	V
I _D	5	A
I _{D(pulse)}	8 (PW≤1ms, D≤25%)	A
P _T	5 (T _a =25°C, with all circuits operating, without heatsink)	W
	30 (T _c =25°C, with all circuits operating, with infinite heatsink)	
θ _{j-a}	25 (Junction-Air, T _a =25°C, with all circuits operating)	°C/W
θ _{j-c}	4.17 (Junction-Case, T _c =25°C, with all circuits operating)	°C/W
V _{ISO}	1000 (Between fin and lead pin, AC)	V _{rms}
T _{ch}	150	°C
T _{stg}	-40 to +150	°C

Electrical characteristics (T_a=25°C)

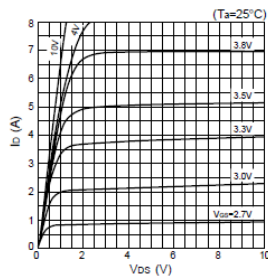
Symbol	Specification			Unit	Conditions
	min	typ	max		
V _{(BR)DSS}	60			V	I _b =100μA, V _{GS} =0V
I _{GSS}			±100	nA	V _{DS} =±20V
I _{DSS}			100	μA	V _{DS} =60V, V _{GS} =0V
V _{TH}	1.0		2.0	V	V _{DS} =10V, I _b =250μA
R _{E(yfs)}		5.5		S	V _{DS} =10V, I _b =3A
R _{DS(ON)}			0.3	Ω	V _{GS} =4V, I _b =3A
C _{ISS}		320		pF	V _{DS} =10V, f=1.0MHz,
C _{OSS}		160		pF	
C _{RSS}		35		pF	V _{GS} =0V
t _{D(on)}		16		ns	I _b =3A, V _{DD} =20V,
t _r		65		ns	
t _{D(off)}		70		ns	R _L =6.67Ω, V _{GS} =5V, see Fig. 3 on page 16.
t _f		45		ns	
V _{SD}		1.2		V	I _{SD} =4A, V _{GS} =0V
t _{rr}		65		ns	I _{SD} =3A, V _{GS} =0V, di/dt=100A/μs

Equivalent circuit diagram

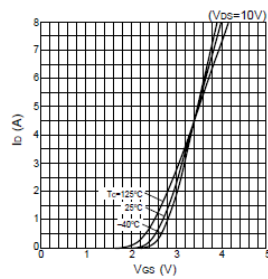


Characteristic curves

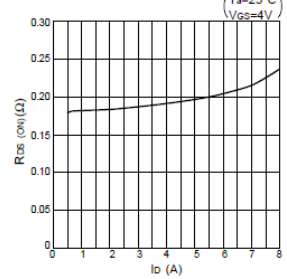
I_D-V_{DS} Characteristics (Typical)



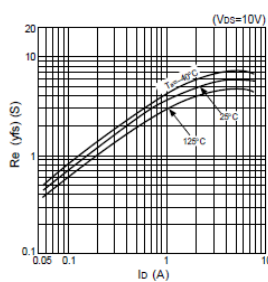
I_D-V_{GS} Characteristics (Typical)



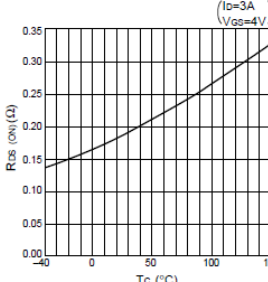
R_{DS(ON)}-I_D Characteristics (Typical)



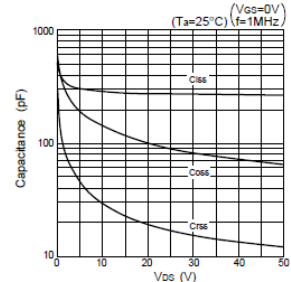
R_{E(yfs)}-I_D Characteristics (Typical)



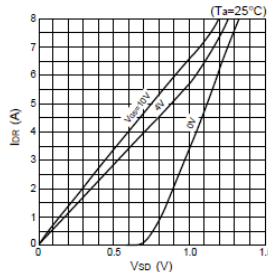
R_{DS(ON)}-T_c Characteristics (Typical)



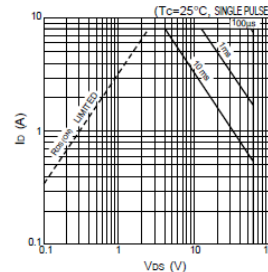
Capacitance-V_{DS} Characteristics (Typical)



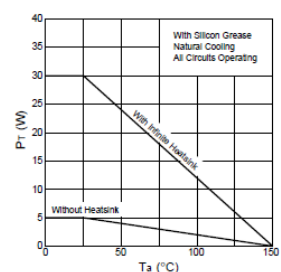
I_{DR}-V_{SD} Characteristics (Typical)



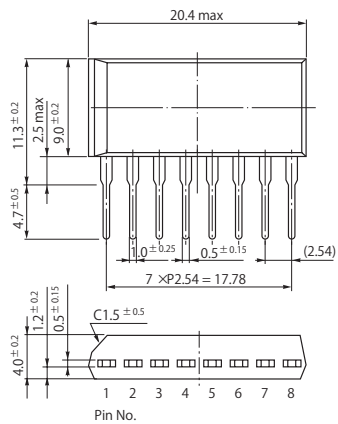
Safe Operating Area (SOA)



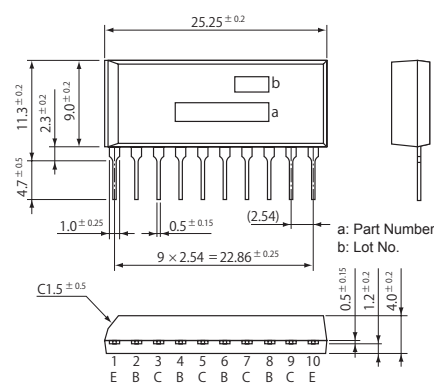
P_T-T_a Characteristics



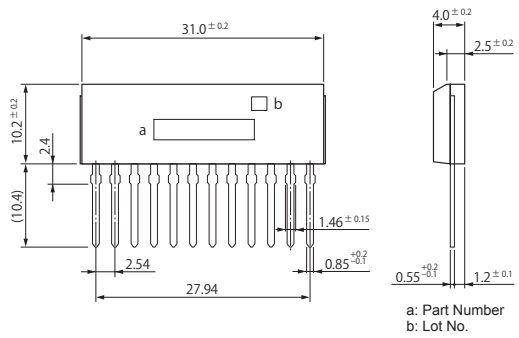
• SIP 8 (STA8Pin)



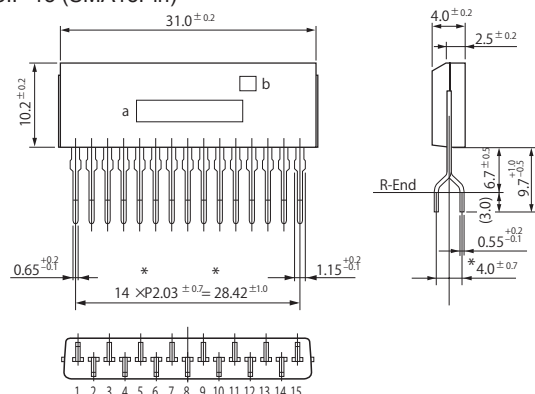
• SIP 10 (STA10Pin)



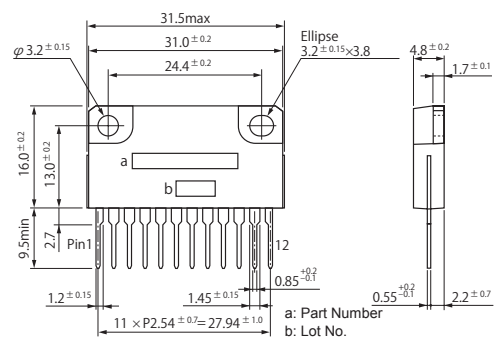
• SIP 12 (SMA12Pin)



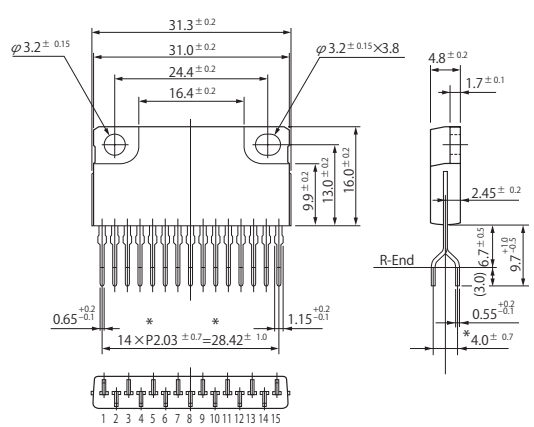
• SIP 15 (SMA15Pin)



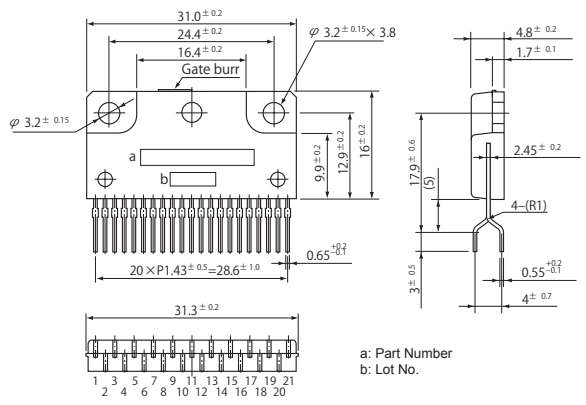
• SIP 12 with Fin (SLA12Pin)



• SIP 15 with Fin (SLA15Pin)



• SIP 21 with Fin (SLA21Pin)



(Unit:mm)