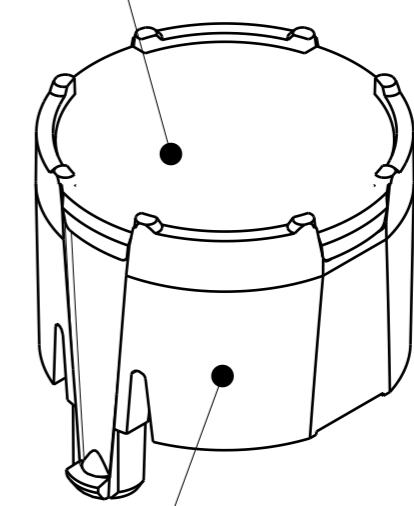
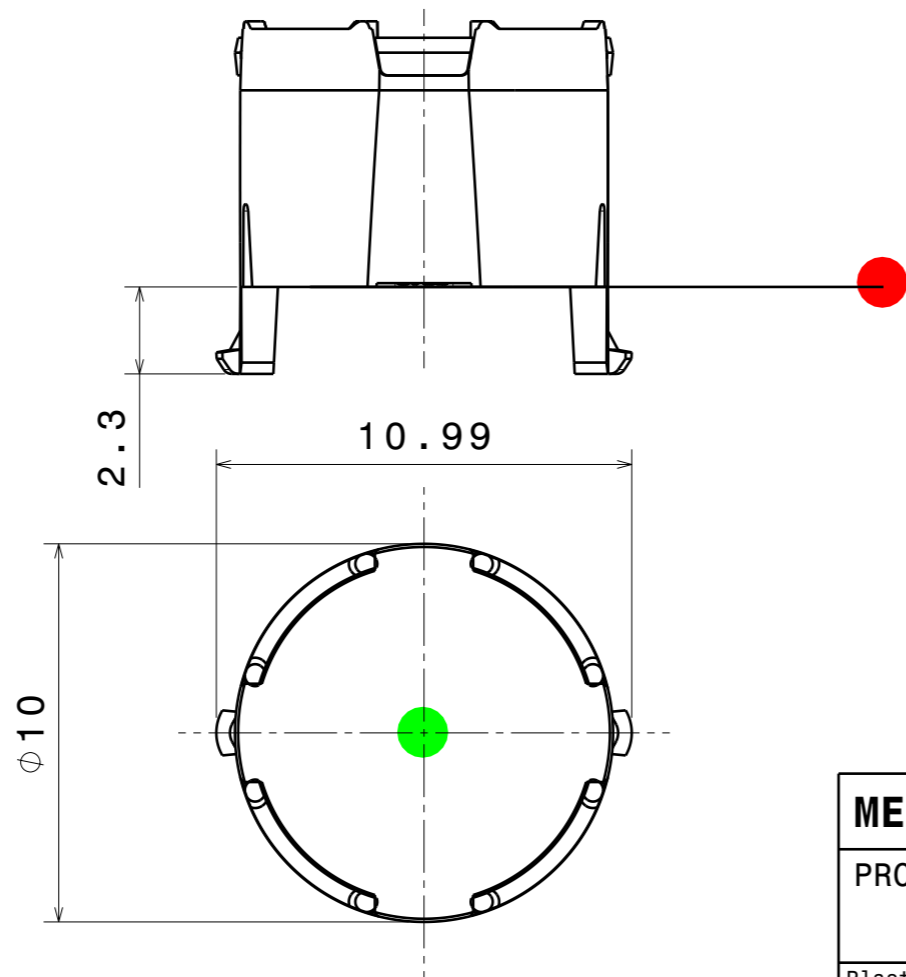
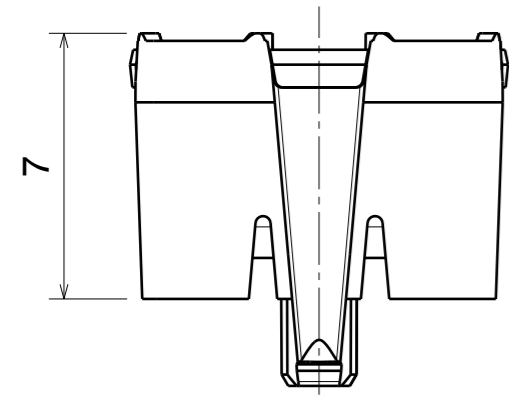


F16555\_LISA3-WWW



F18196\_LISA3-HLD-CLIP16



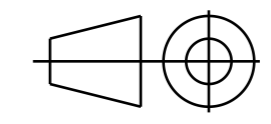
**MECHANICAL DRAWING**

PRODUCT  
**FP18206\_LISA3-WWW-CLIP16**

**LEDiL<sup>®</sup>**

Plastic moulding general tolerances according to DIN 16901-130 and applies if not otherwise shown in the drawing.  
Silicone moulding general tolerances according to ISO 3302-1 Class M3 and applies if not otherwise shown in the drawing.

FIRST ANGLE PROJECTION:



This drawing is the property of LEDiL Oy. It may not be copied or otherwise distributed without prior written permission from LEDiL Oy.

SCALE 5:1

WEIGHT -

A3 SHEET 1/1

Notes	
	PCB or heatsink level.
	LED location
Ensure LED fitting from a product specific 3D model available from <a href="http://www.ledil.com">www.ledil.com</a>	
For more details about installation please see LEDiL Installation Guide on <a href="http://www.ledil.com">www.ledil.com</a>	