

6

5

4

3

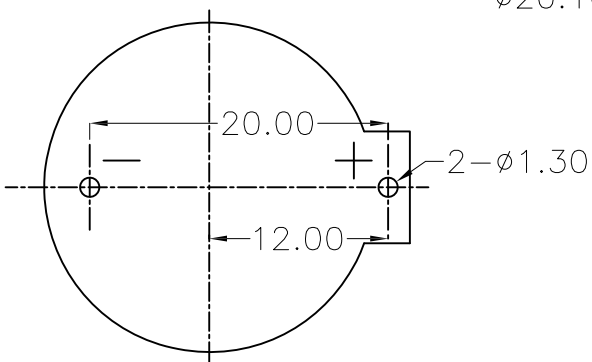
2

1

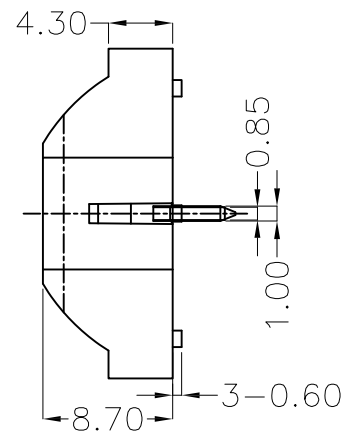
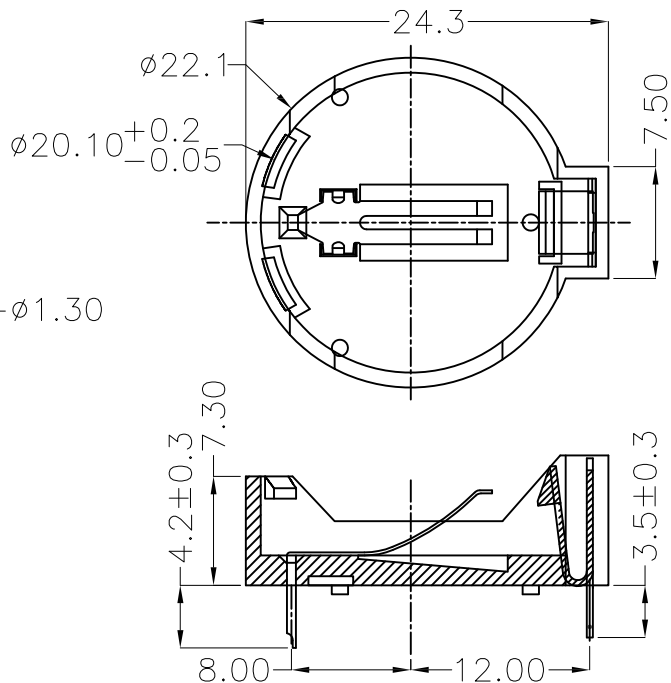
APPROVED: \_\_\_\_\_

DATE: \_\_\_\_\_ TITLE: \_\_\_\_\_

Rev	AWO #	Description	Date	Appr
-		RELEASED	3/12/20	



RECOMMENDED PCB LAYOUT



SPECIFICATIONS:

Material:

Housing: PBT, rated UL94V-0, Color: Black

Contact: Brass, Tin plated

Electrical:

Contact resistance: 30 Milliohms max

Insulation resistance: 1,000 Megaohms ohms min

Dielectric Voltage: 500 VAC @ sea level

Temperature Rating:

Operating temperature: -25°C to +85°C

Environmental:

Lead free, RoHS compliant



UNLESS OTHERWISE SPECIFIED  
 ALL DIMENSIONS ARE MILLIMETERS  
 TOLERANCES: EXCEPT AS NOTED  
 MM ANGLE

X	± 0.30	X	± 1°
X.X	± 0.25	X.X	± 0.5°
X.XX	± 0.20		
X.XXX	± 0.10		



909 Rahway Avenue,  
 Union, NJ 07083  
 Phone: 908-687-5000  
 Fax: 908-687-5710

APPROVALS		DATE
DRAWN	LH	3/12/20
CHECKED	MY	3/12/20
APPROVED		

TITLE			BATTERY HOLDER, PCB THRU HOLE FOR 2032	
SIZE	PART NO.	REV.		
X	BH-25F-1	-		
REF:	S00136C	SCALE:	NTS	SHEET 1 OF 1

6

5

4

3

2

1