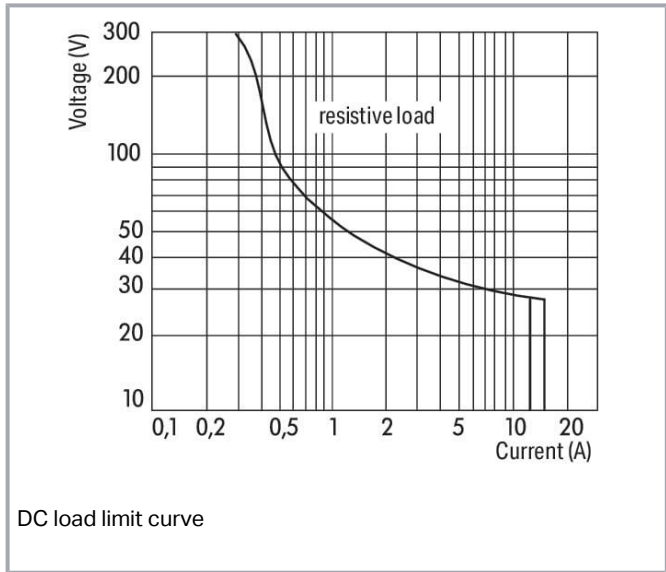
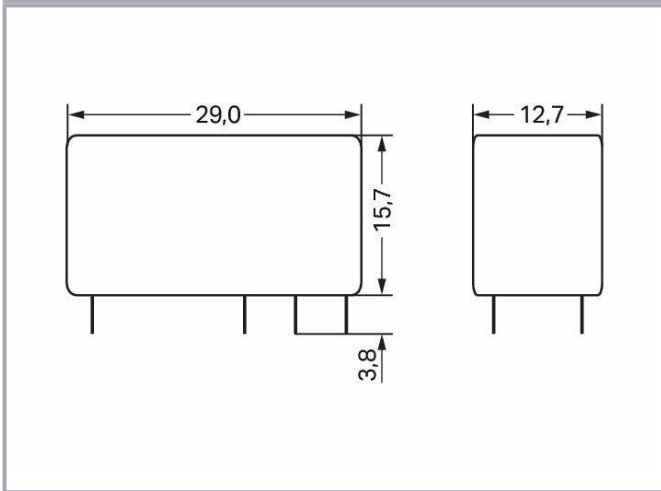
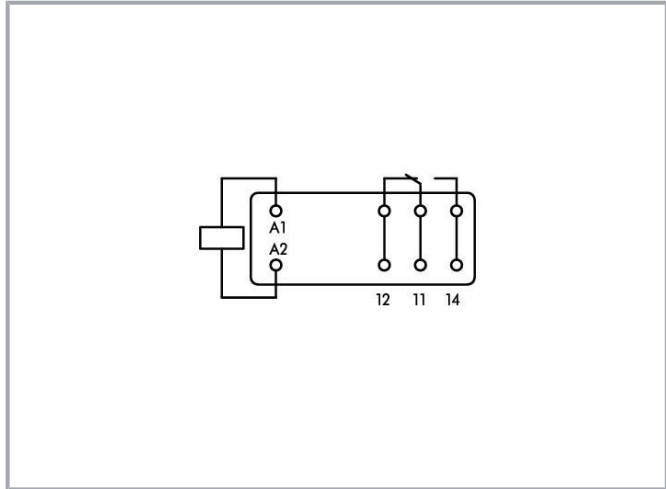
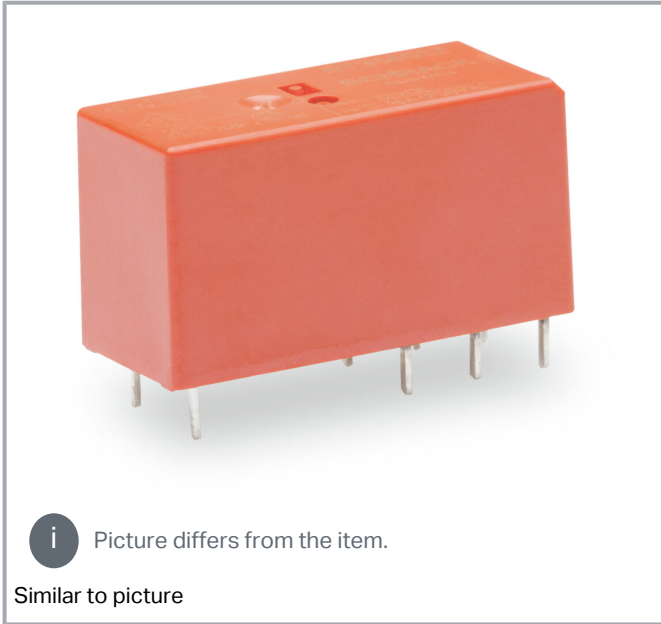


**Data sheet | Item number: 788-154**

Basic relay; Nominal input voltage: 24 VDC; 1 changeover contact; Limiting continuous current: 16 A; Module width: 13 mm; Module height: 15 mm



[www.wago.com/788-154](http://www.wago.com/788-154)



**Data**  
**Technical data**

Subject to changes. Please also observe the further product documentation!

WAGO GmbH & Co. KG  
Hansastr. 27  
32423 Minden  
Phone: +49571 887-0 | Fax: +49571 887-169  
Email: [info.de@wago.com](mailto:info.de@wago.com) | Web: [www.wago.com](http://www.wago.com)

Do you have any questions about our products?  
We are always happy to take your call at +49 (571) 887-44222.



## Control Circuit

Nominal input voltage $U_N$	DC 24 V
Nominal input current at $U_N$	17 mA

## Load circuit

Number of changeover/switchover contacts	1
Contact material (relay)	AgNi 90/10
Limiting continuous current	16 A
Inrush current (resistive) max.	(AC) 30 A / 4 s
Switching voltage (max.)	AC 250 V
Switching power (resistive) max.	AC 4000 VA; DC (see load limit curve)
Switching capacity	AC-15: 6 A / AC 250 V; DC-13: 2 A / DC 24 V
Recommended minimum load	12 V / 10 mA
Pull-in time (typ.)	8 ms
Drop-out time (typ.)	6 ms
Bounce time (typ.)	6 ms
Electrical life (NO; resistive load; 23 °C)	30 x 10 <sup>3</sup> switching operations
Mechanical life	30 x 10 <sup>6</sup> switching operations
Switching frequency with/without load (max.)	6 min <sup>-1</sup> / 1200 min <sup>-1</sup>

## Safety and protection

Dielectric strength (control/load circuit) (AC, 1 min)	5 kVrms
Dielectric strength (open contact) (AC, 1 min)	1 kVrms
Protection type	IP40

## Physical data

Width	12.7 mm / 0.5 inches
Height from the surface	15.7 mm / 0.618 inches
Depth	29 mm / 1.142 inches

## Mechanical data

Mounting type	Pluggable module
---------------	------------------

## Material Data

Fire load	0.25 MJ
-----------	---------

Subject to changes. Please also observe the further product documentation!

Weight	14 g
--------	------

## Environmental requirements

Ambient temperature (operation at $U_N$ )	-40 ... +85 °C
---	----------------

Ambient temperature (storage)	-40 ... +85 °C
-------------------------------	----------------

## Standards and specifications

Standards/specifications	EN 61810-1
--------------------------	------------

## Commercial data

Product Group	6 (INTERFACE ELECTRONIC)
---------------	--------------------------

eCl@ss 10.0	27-37-16-01
-------------	-------------

eCl@ss 9.0	27-37-16-01
------------	-------------

ETIM 8.0	EC001437
----------	----------

ETIM 7.0	EC001437
----------	----------

PU (SPU)	20 (1) pcs
----------	------------

Packaging type	box
----------------	-----

Country of origin	AT
-------------------	----

GTIN	4045454396633
------	---------------

Customs tariff number	85364900990
-----------------------	-------------

## Environmental Product Compliance

RoHS Compliance Status	Compliant, No Exemption
------------------------	-------------------------

## Optional accessories

### Sockets

Socket without relay
----------------------



Item no.: 788-100

Relay socket; 1 changeover contact; for 15 mm basic relays; gray

[www.wago.com/788-100](http://www.wago.com/788-100)

## Downloads

### Documentation

#### Bid Text

788-154	2019 Feb 20	docx	Download
---------	-------------	------	----------

Subject to changes. Please also observe the further product documentation!

WAGO GmbH & Co. KG

Hansastr. 27

32423 Minden

Phone: +49571 887-0 | Fax: +49571 887-169

Email: [info.de@wago.com](mailto:info.de@wago.com) | Web: [www.wago.com](http://www.wago.com)

Do you have any questions about our products?

We are always happy to take your call at +49 (571) 887-44222.



---

docx - Datei			15.6 kB	
--------------	--	--	---------	--

---

788-154	2019 Feb 19	xml	Download
---------	-------------	-----	----------

X81 - Datei		3.6 kB	
-------------	--	--------	--

---

#### Additional Information

Disposal and Recycling	V 1.1.0	pdf	Download
------------------------	---------	-----	----------

Electrical and electronic equipment, Batteries, Packaging	2022 Aug 18	2.2 MB	
---	-------------	--------	--

---

#### CAD/CAE-Data

##### CAE data

WSCAD Universe 788-154		URL	Download
------------------------	--	-----	----------

---

#### Environmental Product Compliance

##### Compliance Search

Environmental Product Compliance 788-154		URL	Download
--	--	-----	----------

Basic relay; Nominal input voltage: 24 VDC; 1 changeover contact; Limiting continuous current: 16 A; Module width: 13 mm; Module height: 15 mm

---

#### Installation Notes

Subject to changes. Please also observe the further product documentation!