

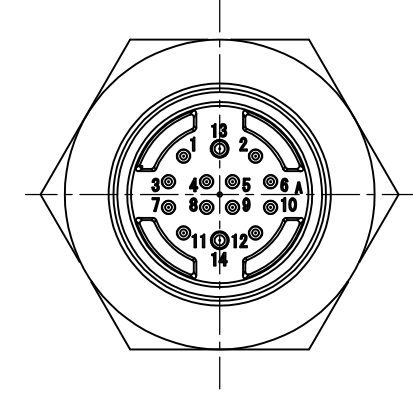
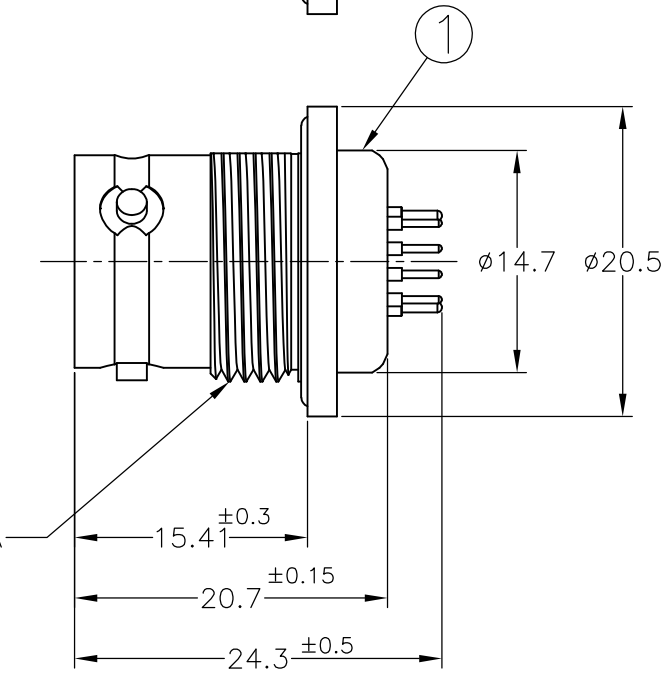
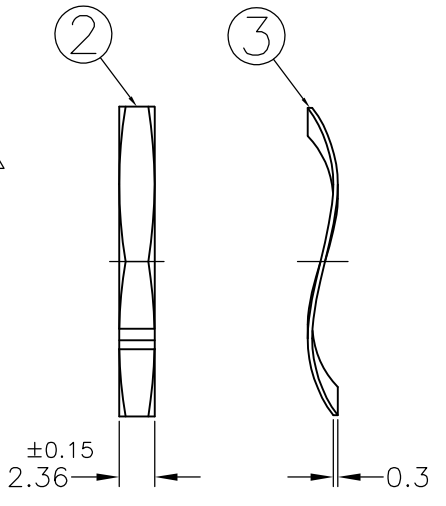
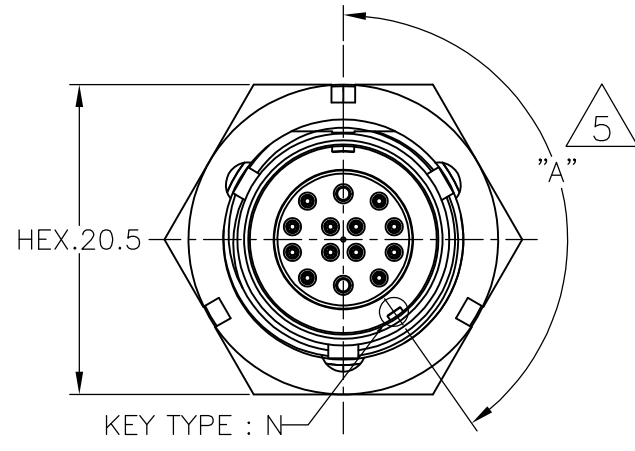
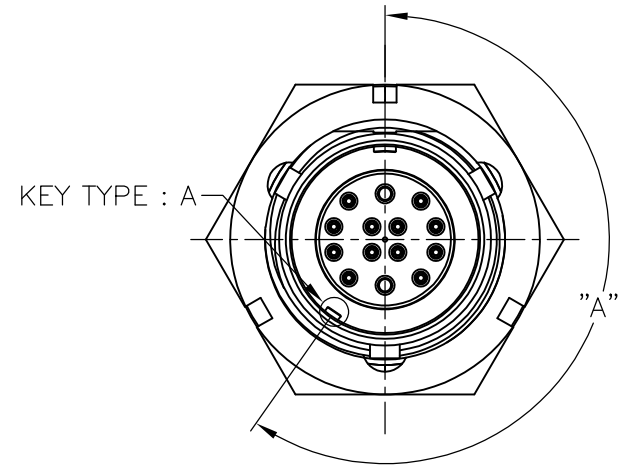
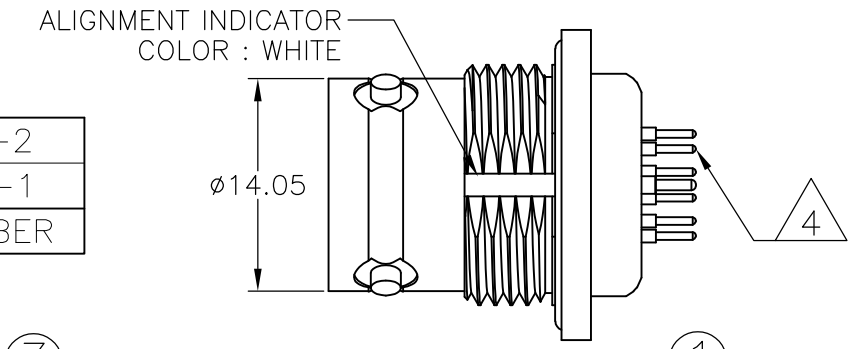
THIS DRAWING IS UNPUBLISHED. RELEASED FOR PUBLICATION FEB. 2012.
 © COPYRIGHT 2012 By Tyco Electronics Japan G.K. ALL RIGHTS RESERVED.

P		LTR		DESCRIPTION	DATE	DWN	APVD
		B2	REVISED		21AUG2017	T.F	T.K

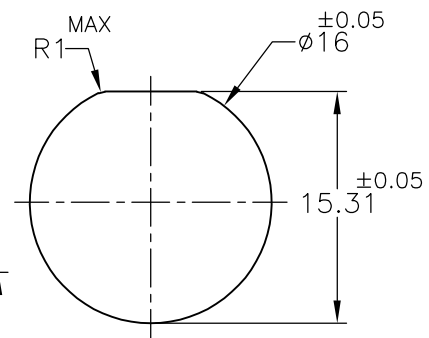
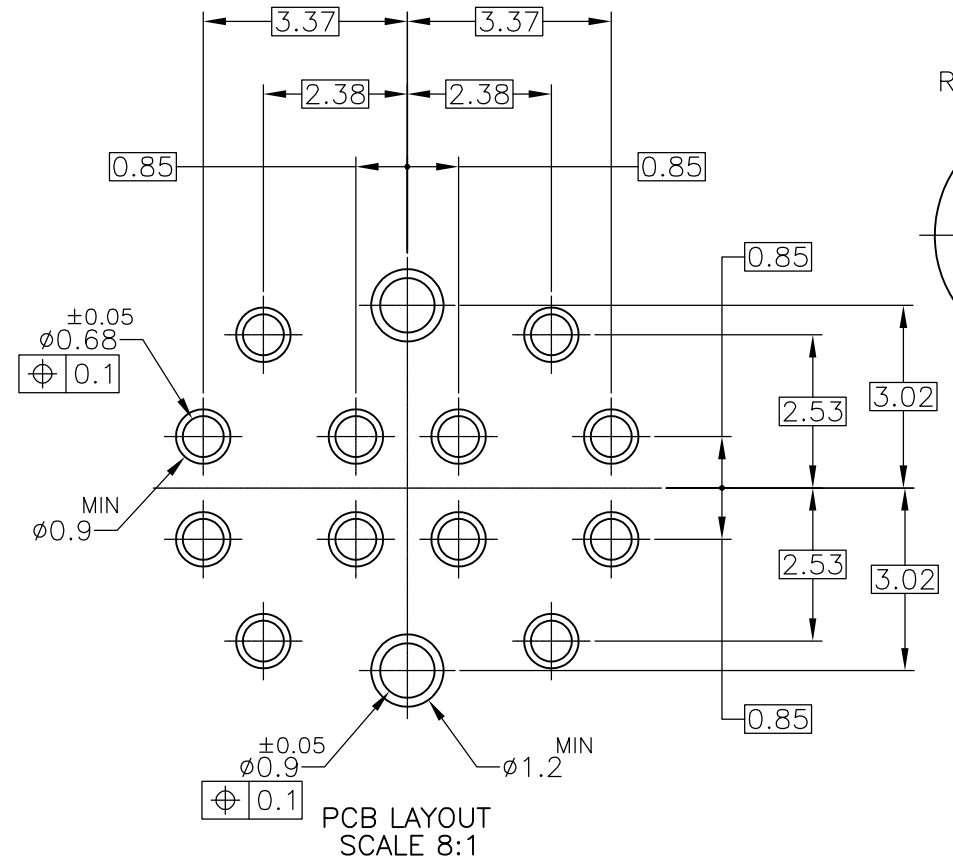
本図: 2201482-1
 AS SHOWN: 2201482-1

- ① MATERIAL: BRASS
- ② FINISH : BLACK Sn-Ni, OVER Ni (9 ~ 10um)
- ③ FINISH : Ni PLATING (3 ~ 6um)
- ④ FINISH : Au PLATING (1.0um), Ni PLATING (2um MIN.)
- ⑤ KEY OPTION : TYPE N IS NORMAL POSITION.
 OPTION KEY IS TYPE A(-2) AND TYPE B(-3).

⑤ KEY POSITION		
215°	TYPE A	2201482-2
145°	TYPE N	2201482-1
DIM "A"	KEY TYPE	PART NUMBER



⑤ KEY POSITION OPTION



PANEL MOUNT REFERENCE DIMENSION
 REFERENCE P/N: 2201482-* and 1-2201482-*

QTY	FINISH	DISCRIPTION	ITEM
1	③	HEX. NUT	③
1	②	WAVE SPRING WASHER	②
1	①	CONNECTOR ASSEMBLY KEY-A	①
1		CONNECTOR ASSEMBLY KEY-N	

THIS DRAWING IS A CONTROLLED DOCUMENT.

DWN	T.SUGIYAMA	19FEB2012
CHK	T.TONOBE	07MAY2012
APVD	T.SUGIYAMA	07MAY2012

PRODUCT SPEC: 108-78938
 APPLICATION SPEC: 114-5503
 WEIGHT: 0.000000

STE TE Connectivity

NMSMC 14P BAYONET RECE
 PIN SOCKET / SOLDER TAIL
 CONNECTOR KIT

SIZE	A3	CAGE CODE	00779	DRAWING NO	C-2201482	RESTRICTED TO	-
SCALE	2:1	SHEET	1 OF 2	REV	B2		

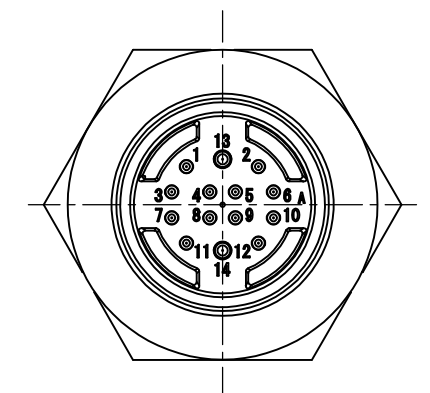
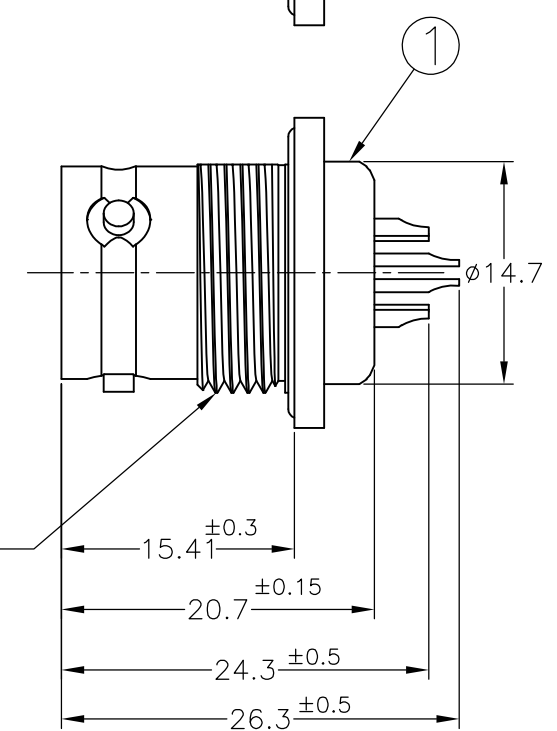
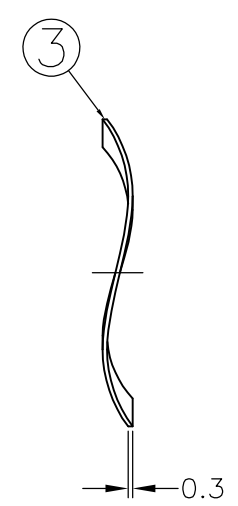
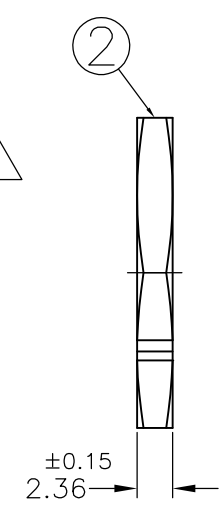
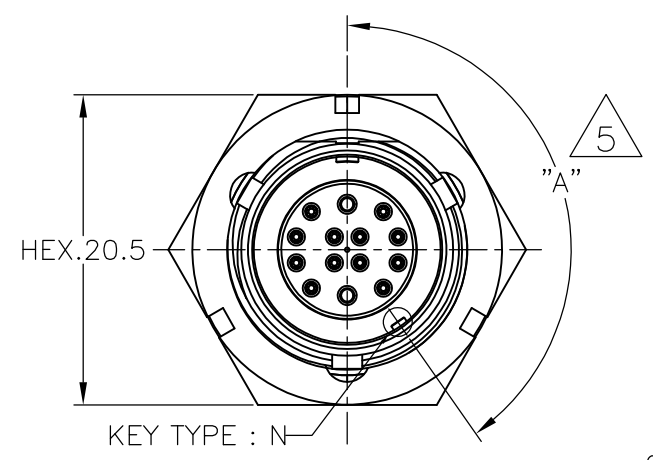
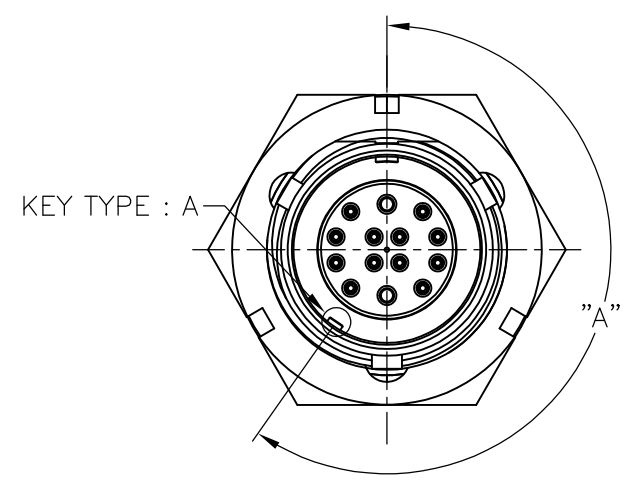
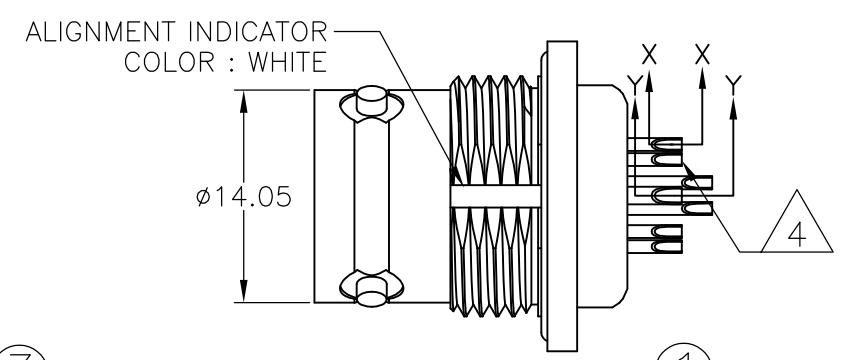
CUSTOMER DRAWING

THIS DRAWING IS UNPUBLISHED. RELEASED FOR PUBLICATION FEB , 2012.
 © COPYRIGHT 2012 By Tyco Electronics Japan G.K. ALL RIGHTS RESERVED.

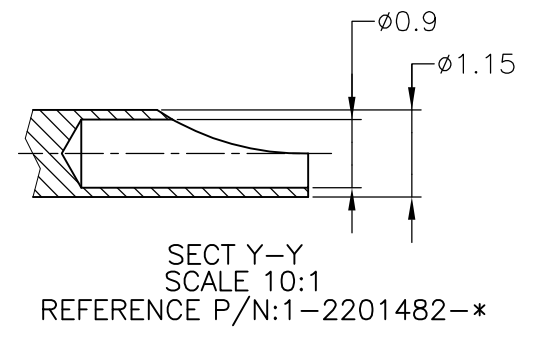
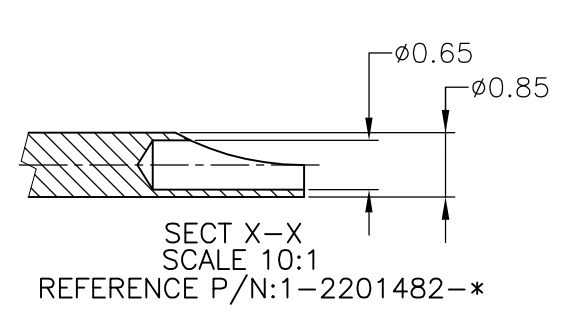
P	LTR	DESCRIPTION	DATE	DWN	APVD
-	-	SEE SHEET 1	-	-	-

本図：1-2201482-1
 AS SHOWN:1-2201482-1

KEY POSITION		
215°	TYPE A	1-2201482-2
145°	TYPE N	1-2201482-1
DIM "A"	KEY TYPE	PART NUMBER



KEY POSITION OPTION



1-2201482-2	1-2201482-1	PART NUMBER	ITEM
1	1	HEX. NUT	③
1	1	WAVE SPRING WASHER	②
1		CONNECTOR ASSEMBLY KEY-A	①
	1	CONNECTOR ASSEMBLY KEY-N	
QTY		FINISH	ITEM

THIS DRAWING IS A CONTROLLED DOCUMENT.		DWN T.SUGIYAMA 19FEB2012		TE Connectivity	
DIMENSIONS: mm		CHK T.TONOBÉ 07MAY2012			
TOLERANCES UNLESS OTHERWISE SPECIFIED: ±0.1		APVD T.SUGIYAMA 07MAY2012		NAME	
0-PLC ± 1-PLC ± 2-PLC ± 3-PLC ± 4-PLC ± ANGLES ±5°		PRODUCT SPEC 108-78938		NMSMC 14P BAYONET RECE PIN SOCKET / SOLDER TAIL	
MATERIAL		APPLICATION SPEC 114-5503		CONNECTOR KIT	
FINISH		WEIGHT 0.000000		SIZE A3	RESTRICTED TO
		CUSTOMER DRAWING		CAGE CODE 00779	DRAWING NO C-2201482
		SCALE 2:1		SHEET 2 OF 2	REV B2