

ITEM	PART#	DESCRIPTION	QTY	UOM
A	510650600	Micro-Latch 2.0 Rec Housing 6P	1	PC
B	503728000	Micro-Latch 2.0 Crimp R Term Tin #22-26	6	PC
C	--	PAPER PRINTED PAPER WHITE (S100X150YAJ)	1	PC

FROM	TO	DESCRIPTION	COLOR
A1	--	1X22AWG DISC SR-PVC BK UL10002	BLACK
A2	--	1X22AWG DISC SR-PVC BK UL10002	BLACK
A3	--	1X22AWG DISC SR-PVC BK UL10002	BLACK
A4	--	1X22AWG DISC SR-PVC BK UL10002	BLACK
A5	--	1X22AWG DISC SR-PVC BK UL10002	BLACK
A6	--	1X22AWG DISC SR-PVC BK UL10002	BLACK

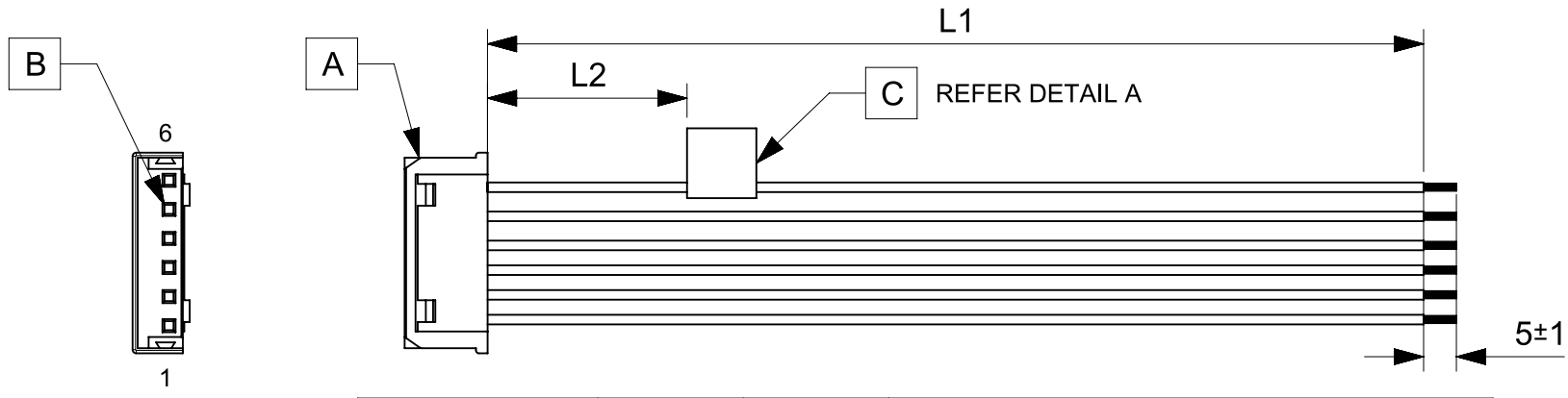


TABLE			
PART NUMBER	L1	L2 (REF)	TITLE
2196791060	50±3	15	Micro Latch 2.0 R-S 6ckt 50mm disc Sn
2196791061	100±3	15	Micro Latch 2.0 R-S 6ckt 100mm disc Sn
2196791062	150±4	15	Micro Latch 2.0 R-S 6ckt 150mm disc Sn
2196791063	300±4	15	Micro Latch 2.0 R-S 6ckt 300mm disc Sn
2196791064	600±6	15	Micro Latch 2.0 R-S 6ckt 600mm disc Sn

**NOTES**

1. Connector view shown is from mating side.
2. Label text must be 2mm max. in height with Arial font.
3. Label must be wrapped in Flag type on a single cable.
4. Free ends must be stripped, twisted & tinned. The length of tinning is 5±1mm. Tinning Dia must be 0.9 mm Max.

MOLEX P/N  
MOLEX  
BATCH WK/YR  
DETAIL A

REVISION			
DATE	REV	DESCRIPTION	CHANGER
2022/02/27	A	INITIAL RELEASE	SAIKIG

FUNCTIONAL SYMBOLS $\frac{E}{A} = 0$ $\frac{E}{E} = 0$ $\frac{E}{P} = 0$ DIVISIONAL SYMBOLS	THIS DRAWING CONTAINS INFORMATION THAT IS PROPRIETARY TO MOLEX ELECTRONIC TECHNOLOGIES, LLC AND SHOULD NOT BE USED WITHOUT WRITTEN PERMISSION		CURRENT REV DESC:				
	DIMENSION UNITS	SCALE	GENERAL TOLERANCES (UNLESS SPECIFIED)				
	4 PLACES	mm NTS	ANGULAR TOL ± °				
	3 PLACES		EC NO: 697300				
2 PLACES		DRWN: SAIKIG 2022/02/21		PRODUCT CUSTOMER DRAWING			
1 PLACE		CHK'D: MNARAYAN01 2022/03/08					
0 PLACES		APPR: MNARAYAN01 2022/03/08		DOCUMENT NUMBER	DOC TYPE	DOC PART	REVISION
DRAFT WHERE APPLICABLE MUST REMAIN WITHIN DIMENSIONS		THIRD ANGLE PROJECTION	DRAWING	SERIES	MATERIAL NUMBER	CUSTOMER	SHEET NUMBER
			A4-SIZE	219679	2196791060	GENERAL MARKET	1 OF 1