

ITEM	PART#	DESCRIPTION	QTY	UOM
A	2059792051	M-ONE 2.0 RECHSG 5CKT BK	1	PC
B	561349001	2.0 WTB CONN CRIMP REC AWG#22-#24 CHAIN	5	PC
C	--	PAPER PRINTED PAPER WHITE	1	PC

FROM	TO	DESCRIPTION	COLOR
A1	--	1X22AWG DISC PVC BK UL1569 HOOKUP	BLACK
A2	--	1X22AWG DISC PVC BK UL1569 HOOKUP	BLACK
A3	--	1X22AWG DISC PVC BK UL1569 HOOKUP	BLACK
A4	--	1X22AWG DISC PVC BK UL1569 HOOKUP	BLACK
A5	--	1X22AWG DISC PVC BK UL1569 HOOKUP	BLACK

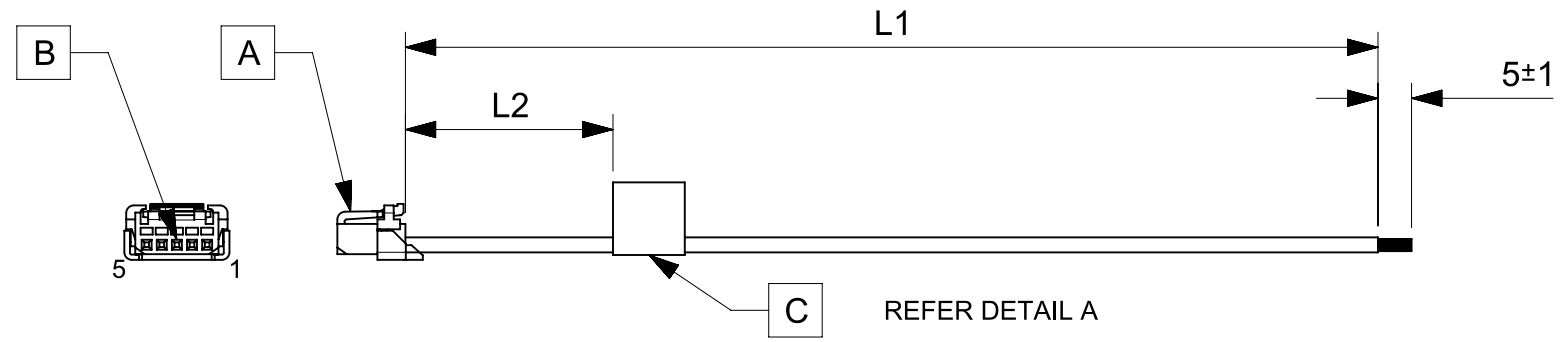


TABLE			
PART NUMBER	L1	L2 (REF)	TITLE
2196531050	50±3	15	Micro-One ISL R-S 5ckt 50mm disc Sn
2196531051	100±3	15	Micro-One ISL R-S 5ckt 100mm disc Sn
2196531052	150±4	15	Micro-One ISL R-S 5ckt 150mm disc Sn
2196531053	300±4	15	Micro-One ISL R-S 5ckt 300mm disc Sn
2196531054	600±6	15	Micro-One ISL R-S 5ckt 600mm disc Sn

**NOTES**

1. Connector view shown is from mating side.
2. Label text must be 2mm max. in height with Arial font.
3. Label must be wrapped in Flag type on a single cable.
4. Free ends must be stripped, twisted & tinned. The length of tinning is 5±1mm. Tinning Dia must be 0.9 mm Max.

MOLEX P/N  
MOLEX  
BATCH WK/YR  
DETAIL A

REVISION			
DATE	REV	DESCRIPTION	CHANGER
2021/12/27	A	INITIAL RELEASE	SAIKIG

FUNCTIONAL SYMBOLS $\frac{E}{A} = 0$ $\frac{E}{E} = 0$ $\frac{E}{P} = 0$	THIS DRAWING CONTAINS INFORMATION THAT IS PROPRIETARY TO MOLEX ELECTRONIC TECHNOLOGIES, LLC AND SHOULD NOT BE USED WITHOUT WRITTEN PERMISSION		CURRENT REV DESC:		
	DIMENSION UNITS	SCALE	GENERAL TOLERANCES (UNLESS SPECIFIED)		
	mm	NTS	ANGULAR TOL ± °		
	4 PLACES ±		3 PLACES ±		
DIVISIONAL SYMBOLS	EC NO: 690621		2021/12/25		PRODUCT CUSTOMER DRAWING DOCUMENT NUMBER: 2196531050 DOC TYPE: PSD DOC PART: 000 REVISION: A
	DRWN: SAIKIG		2022/01/11		
	CHK'D: MNARAYAN01		2022/01/11		
	APPR: MNARAYAN01		2022/01/11		
INITIAL REVISION:		DRWN: SAIKIG 2021/12/25		MATERIAL NUMBER: 2196531050	
APPR: MNARAYAN01 2022/01/11		SERIES: A4-SIZE 219653		CUSTOMER: GENERAL MARKET	
DRAFT WHERE APPLICABLE MUST REMAIN WITHIN DIMENSIONS		THIRD ANGLE PROJECTION		SHEET NUMBER: 1 OF 1	