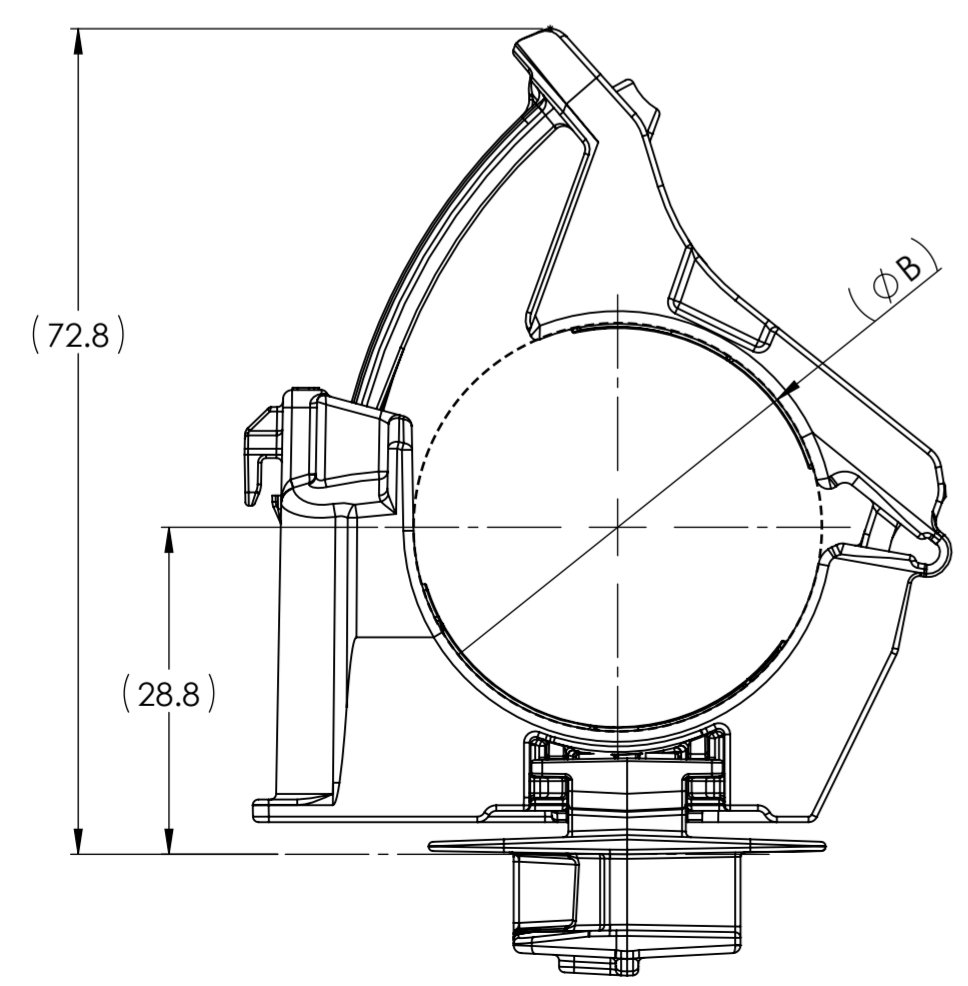
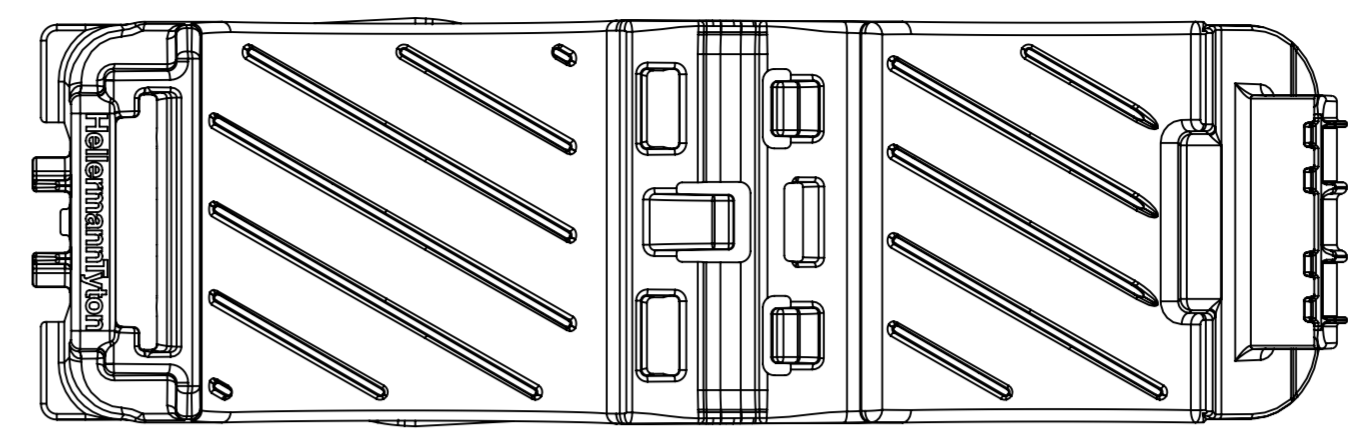
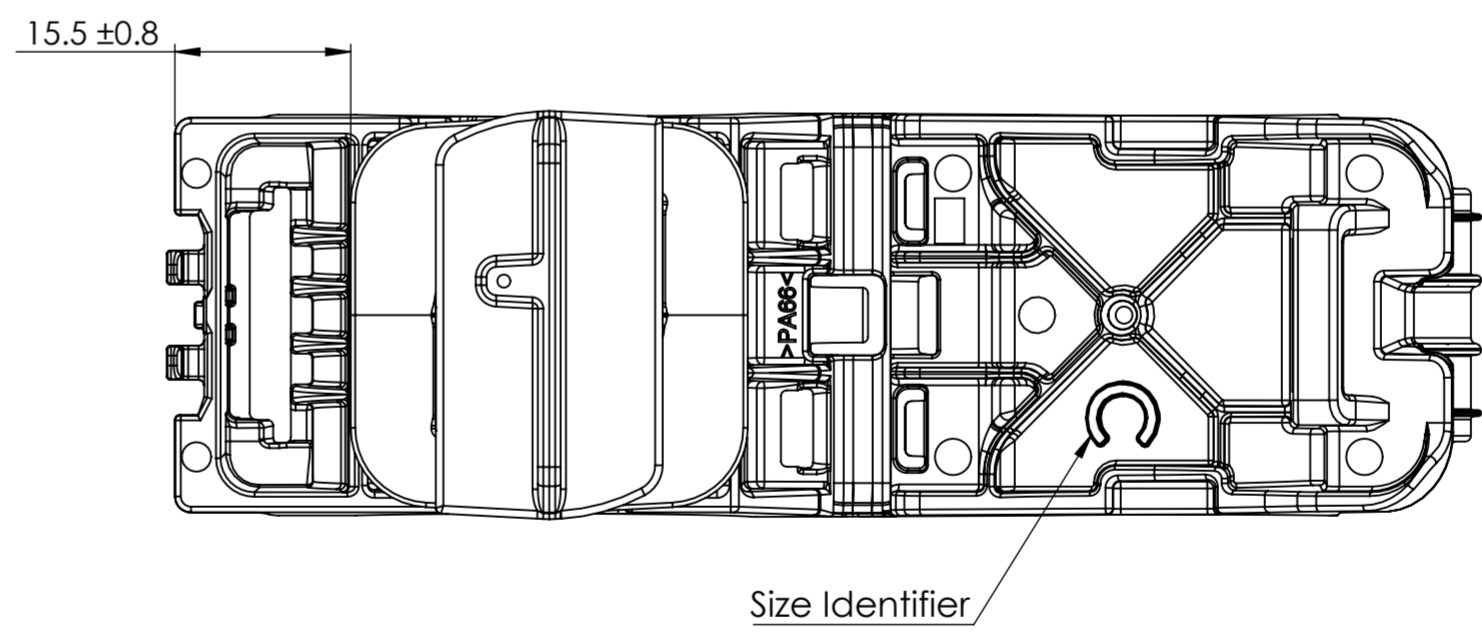
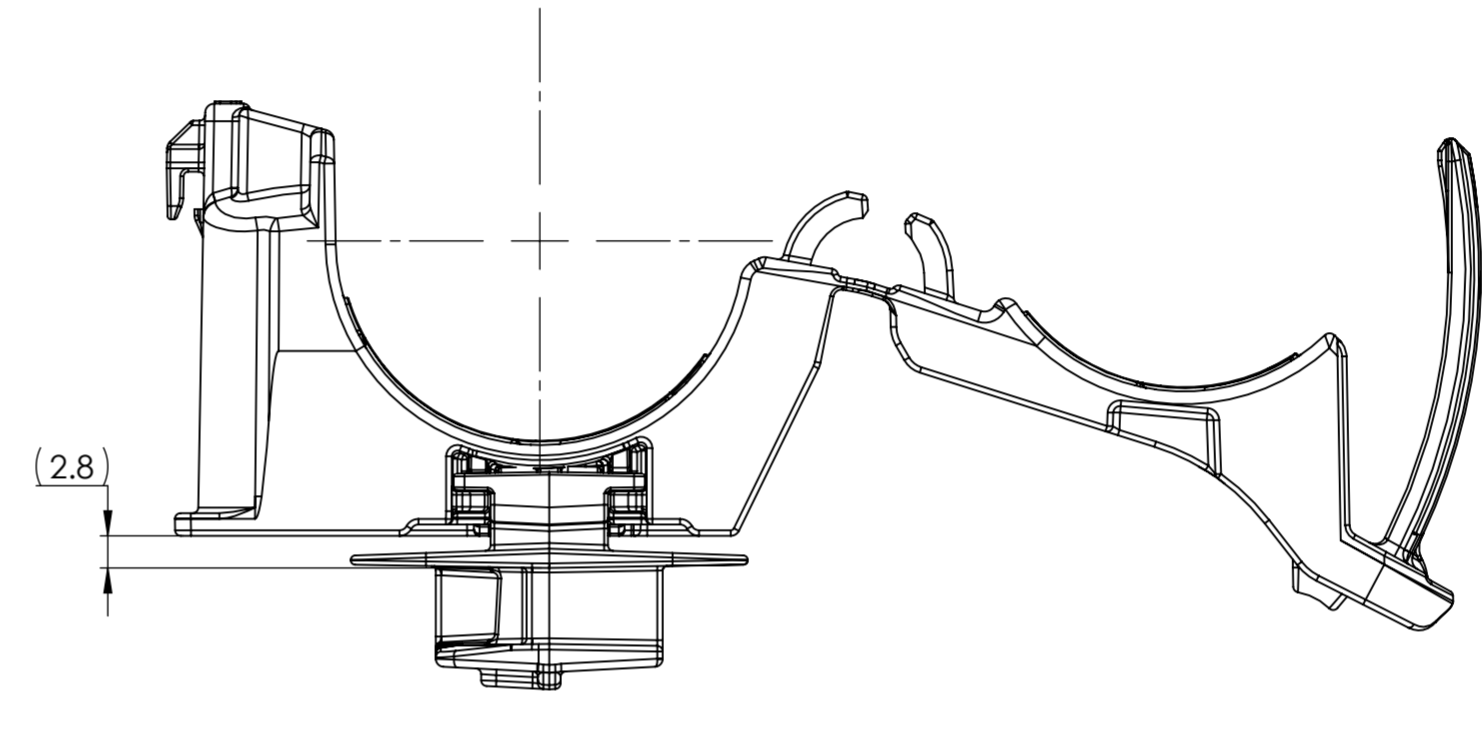
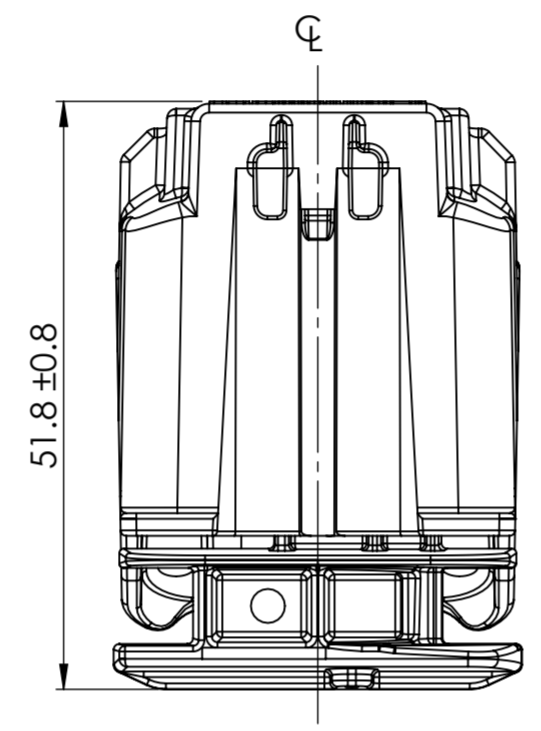


Minimum Bundle Diameter



Maximum Bundle Diameter



Initial Mold Validation:
 Dry as molded with $\leq 0.5\%$ moisture content:
 ITS-0003 Ratchet Clamp Solid Mandrel Test:
 Exceeded 311 newtons (70 lbf) min at a nominal bundle diameter of 15.88

Global Part Description	Bundle Types	(A) Minimum Diameter	(B) Maximum Diameter	IRCC CLAMP			IRCSTRUT Connector Clip		
				Drawing	Material	Color	Drawing	Material	Color
IRCCSTRUT-PA66HIRHSUV-BK	Soft Hard	19.4 18.6	36.0 35.2	16-1641-003-CSU	PA66HIRHSUV	BLACK	19-2104-001-CSU	PA66HIRHSUV	Black

Revision level			Revision Record		
Drawing	State	Part	ECN#	Date	By
00.0	Design Release	-	015881		
Changed	Date				
Toll	2020/05/01				
Approved	Date				
Lewinski	2020/05/01				

The copyright of this drawing is reserved by HellermannTyton.

All drawing revision are stored in CAD PDM database

Units: **mm**

HellermannTyton
www.HellermannTyton.com

Drawn	Date (YYYY/MM/DD)	Title Inline Ratchet P-Clamp C-Size with 1-5/8" Strut Attachment	Scale 3:2
Toll	2020/04/30		
Approved	Date (YYYY/MM/DD)		
Lewinski	2020/04/30	Drawing-No 19-2106-103-CSU	Global Project Number 19-2106
Format A2			
Sheet 1/1			