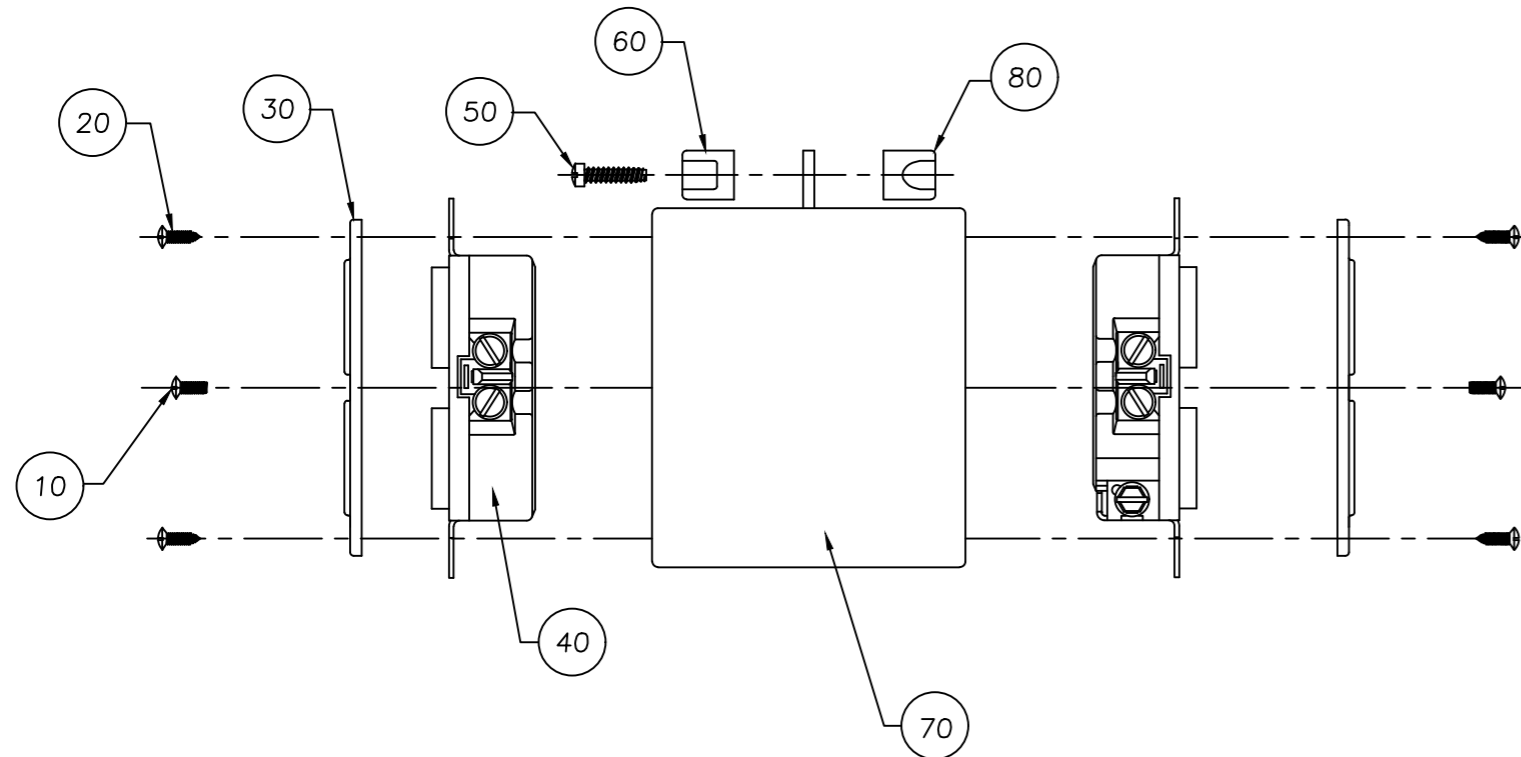
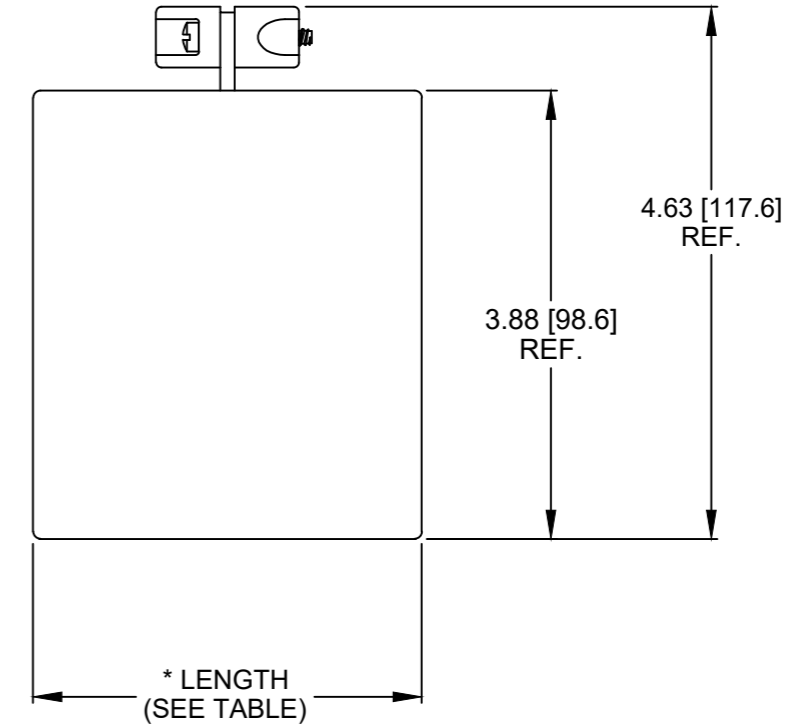
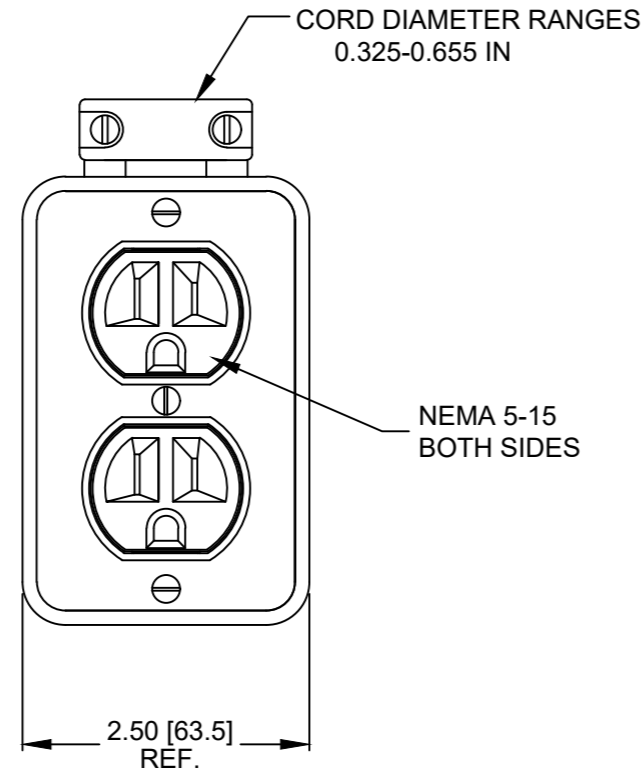


WOODHEAD NO.	MATERIAL NO.	* LENGTH (REF.)	DESCRIPTION	BOX & COVERPLATE COLOR	RECEPTACLE
3000-1	1301370088	3.38 [85.9]	STANDARD DEPTH	YELLOW	BROWN / DUPLEX
3000-1BLK	1301370099	3.38 [85.9]	STANDARD DEPTH	BLACK	BLACK / DUPLEX
3080-1	1301370165	4.38 [111.3]	EXTENDED DEPTH	YELLOW	BROWN / DUPLEX
3080-1BLK	1301370173	4.38 [111.3]	EXTENDED DEPTH	BLACK	BLACK / DUPLEX



ITEM NO.	DESCRIPTION	MATERIAL
10	SCREW (#6-32)	STAINLESS STEEL
20	SCREW (#6x0.5)	STAINLESS STEEL
30	COVERPLATE	NYLON
40	RECEPTACLE	5252DW OR 5252DWBLK
50	SCREW (#8x0.875)	STAINLESS STEEL
60	CORD CLAMP	NYLON
70	OUTLET BOX	RUBBER & STEEL
80	CORD CLAMP	NYLON

SYMBOLS	THIS DRAWING CONTAINS INFORMATION THAT IS PROPRIETARY TO MOLEX ELECTRONIC TECHNOLOGIES, LLC AND SHOULD NOT BE USED WITHOUT WRITTEN PERMISSION										
	DIMENSION UNITS		SCALE		CURRENT REV DESC: DESCRIPTION, BOX/COVERPLATE COLOR AND RECEPTACLE COLORS UPDATED. ADDED 3080-1BLK OPTION TO TABLE.						
INCH/MM		NTS		GENERAL TOLERANCES (UNLESS SPECIFIED)						SUPER-SAFEWAY	
= 0				EC NO: 632774						OUTLET BOX WITH TWO DUPLEX RECEPTACLES	
= 0				DRWN: VOU 2020/02/24						PRODUCT CUSTOMER DRAWING	
= 0				CHK'D: HKNEELAND 2020/04/29						DOCUMENT NUMBER	
= 0				APPR: JFMURPHY 2020/05/04						SD-130137-031	
= 0				INITIAL REVISION:						DOC TYPE/DOC PART/REVISION	
= 0				DRWN: HRUIZ01 2012/12/13						PSD 001 B	
= 0				APPR: DTITUS 2013/01/29						SHEET NUMBER	
= 0				ANGULAR TOL ± 0.5 °		THIRD ANGLE PROJECTION		DRAWING		SERIES	
= 0				DRAFT WHERE APPLICABLE MUST REMAIN WITHIN DIMENSIONS		B-SIZE		130137		MATERIAL NUMBER	
= 0								SEE TABLE		CUSTOMER	
= 0								GENERAL MARKET		1 OF 1	