

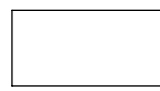
**TABLE 1**

MOLEX P/N	ENG. NO.	CABLE LENGTH (mm)	LED
1202470016	BEB803P-FBW-05	5000	YES
1202470017	BEB803P-FBW-10	10000	YES
1202470018	BEB803P-FBW-15	15000	YES
1202470019	BEB803P-FBW-20	20000	YES
1202470052	BEB8030-FBW-05	5000	NO
1202470053	BEB8030-FBW-10	10000	NO
1202470054	BEB8030-FBW-15	15000	NO

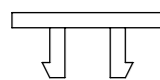
**TABLE 2**

ITEM	COMPONENT	MATERIAL	FINISH
1	INSERT	POLYESTER	BLACK
2	CONTACT SOCKET	COPPER ALLOY	GOLD OVER NICKEL
3	O-RING	VITON	RED
4	RECEPTACLE SHELL	BRASS	NICKEL PLATED
5	HOUSING	PBT	BLACK
6	CABLE	TPU	BLACK
7	LABEL	ABS	WHITE
8	LABEL ADHESIVE	PE	WHITE
9	CABLE PLATE	PBT	BLACK
10	LED	NO LED = PA	BLACK
		WITH LED = PA	TRANSPARENT
11	RESIN	EPOXY	TRANSPARENT

SCALE 2:1

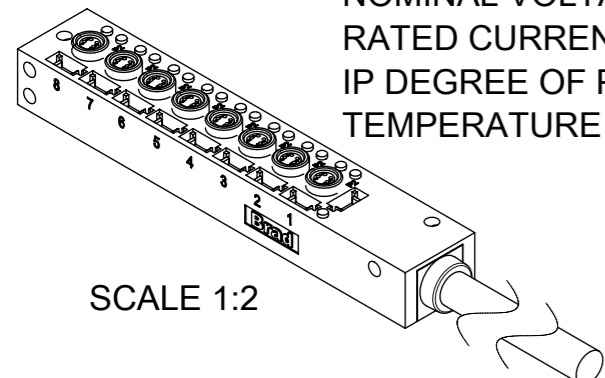


LABEL  
9x packed in a bag.

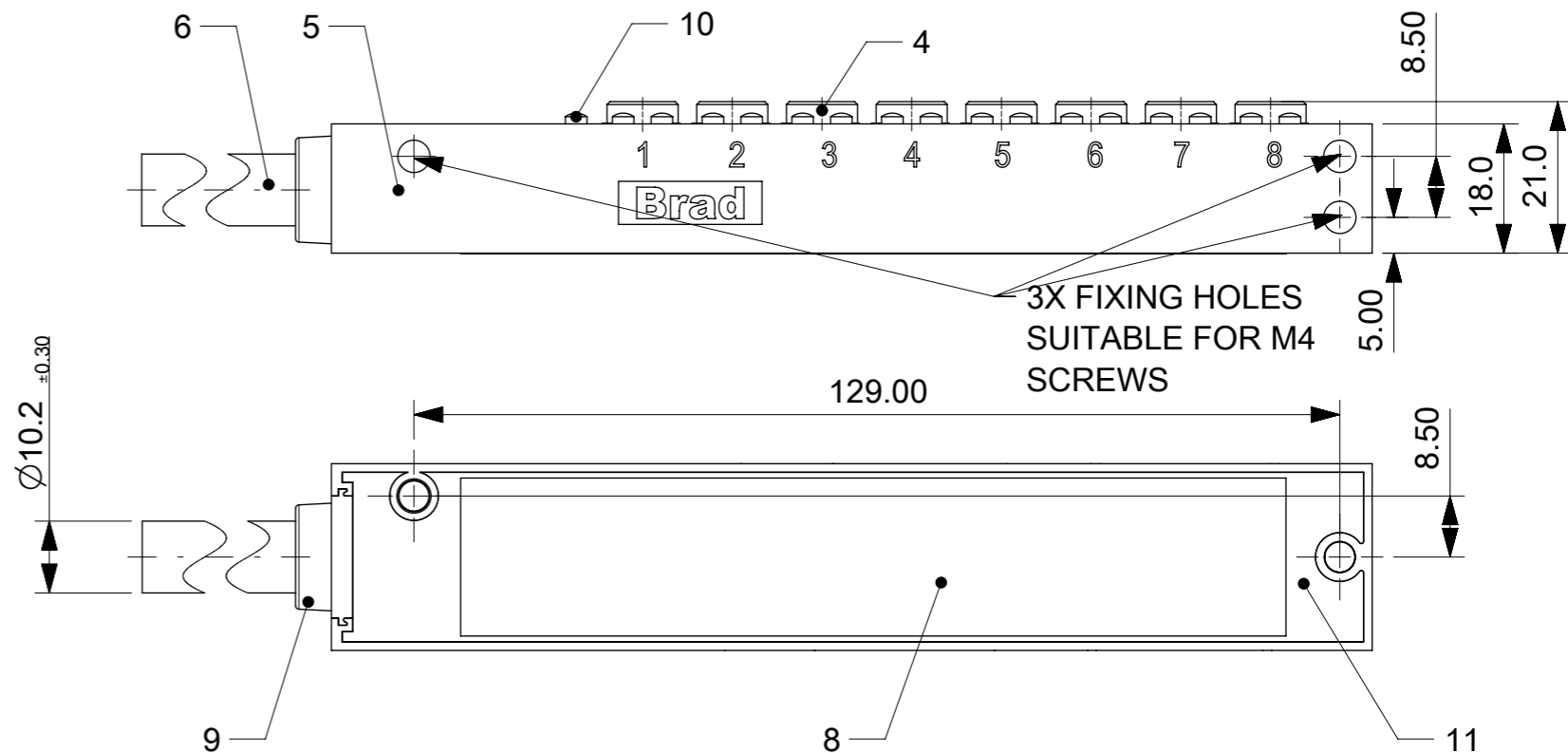
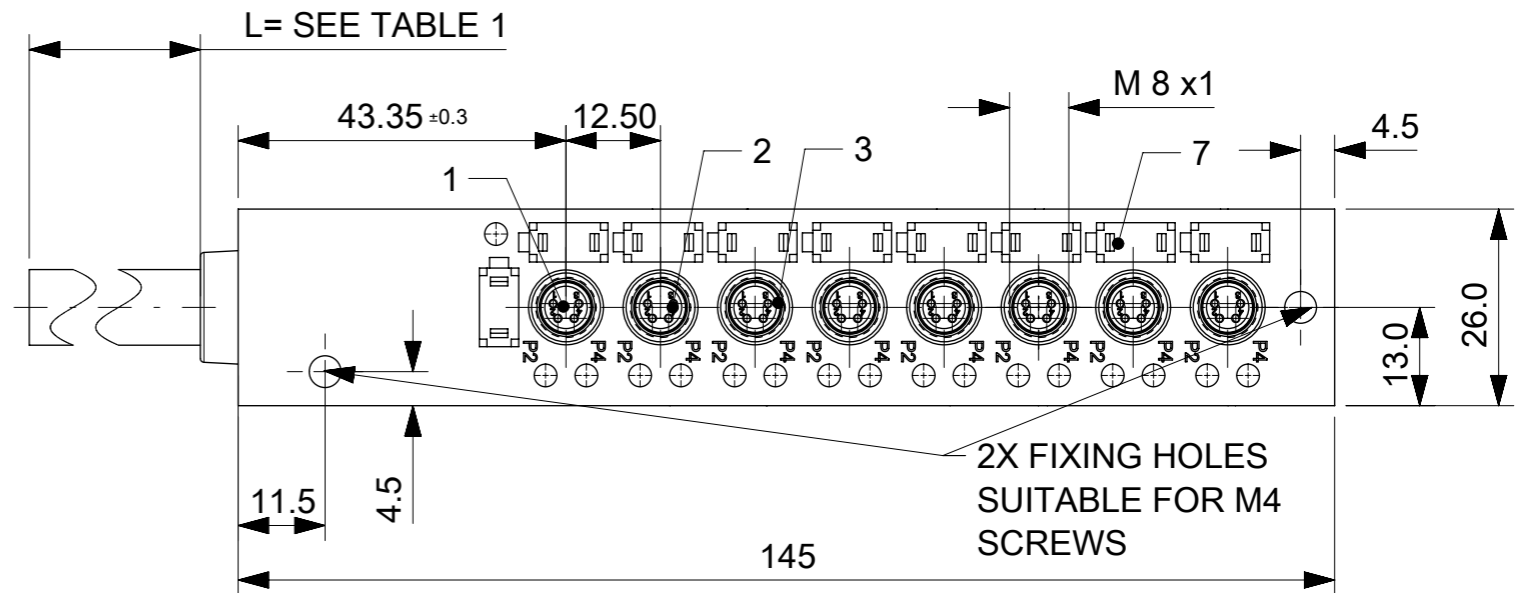


**GENERAL CHARACTERISTICS:**

NOMINAL VOLTAGE: 24 V DC  
 RATED CURRENT: 2 A PER PORT / 6 A MAX: TOTAL  
 IP DEGREE OF PROTECTION: IP 68  
 TEMPERATURE RANGE: -25°C to + 85°C



SCALE 1:2

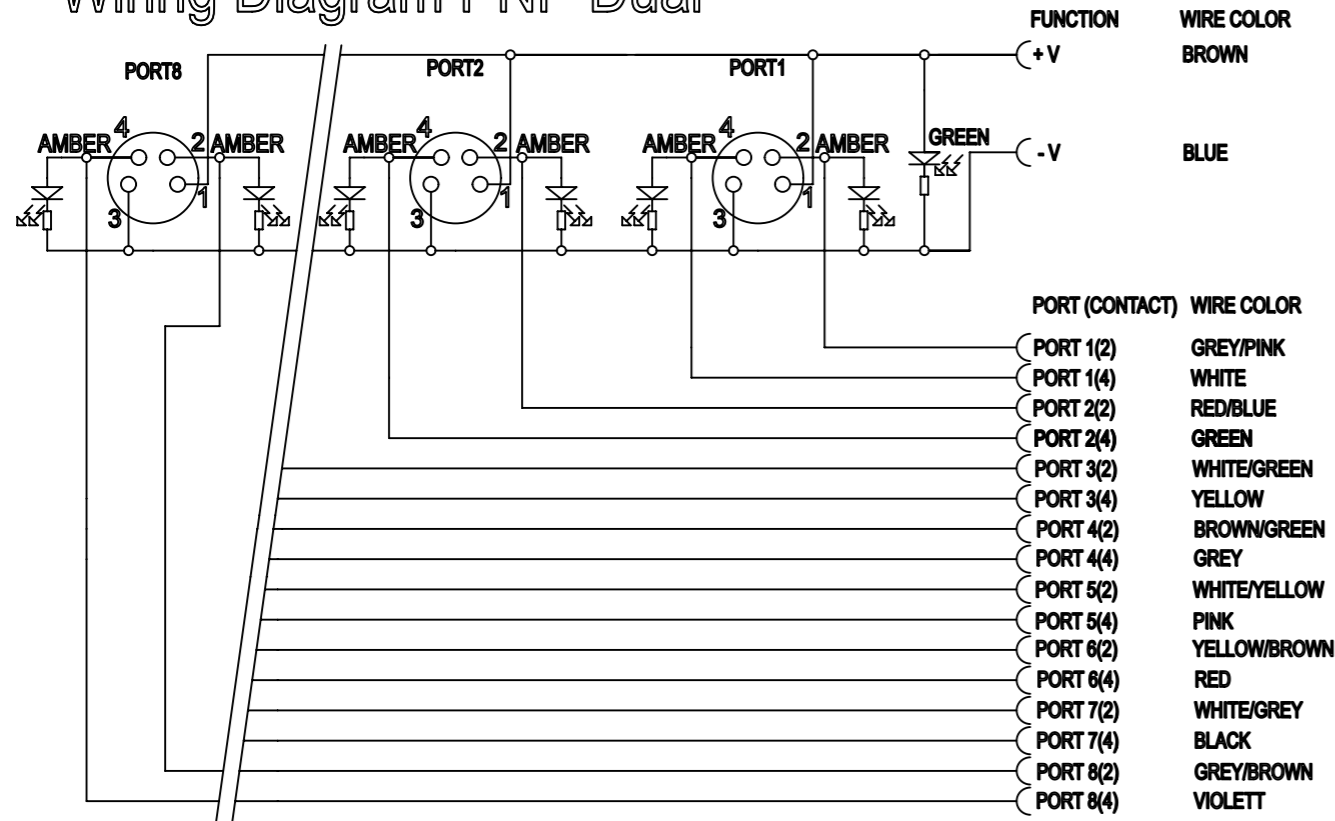


**CABLE LENGTH TOLERANCES**

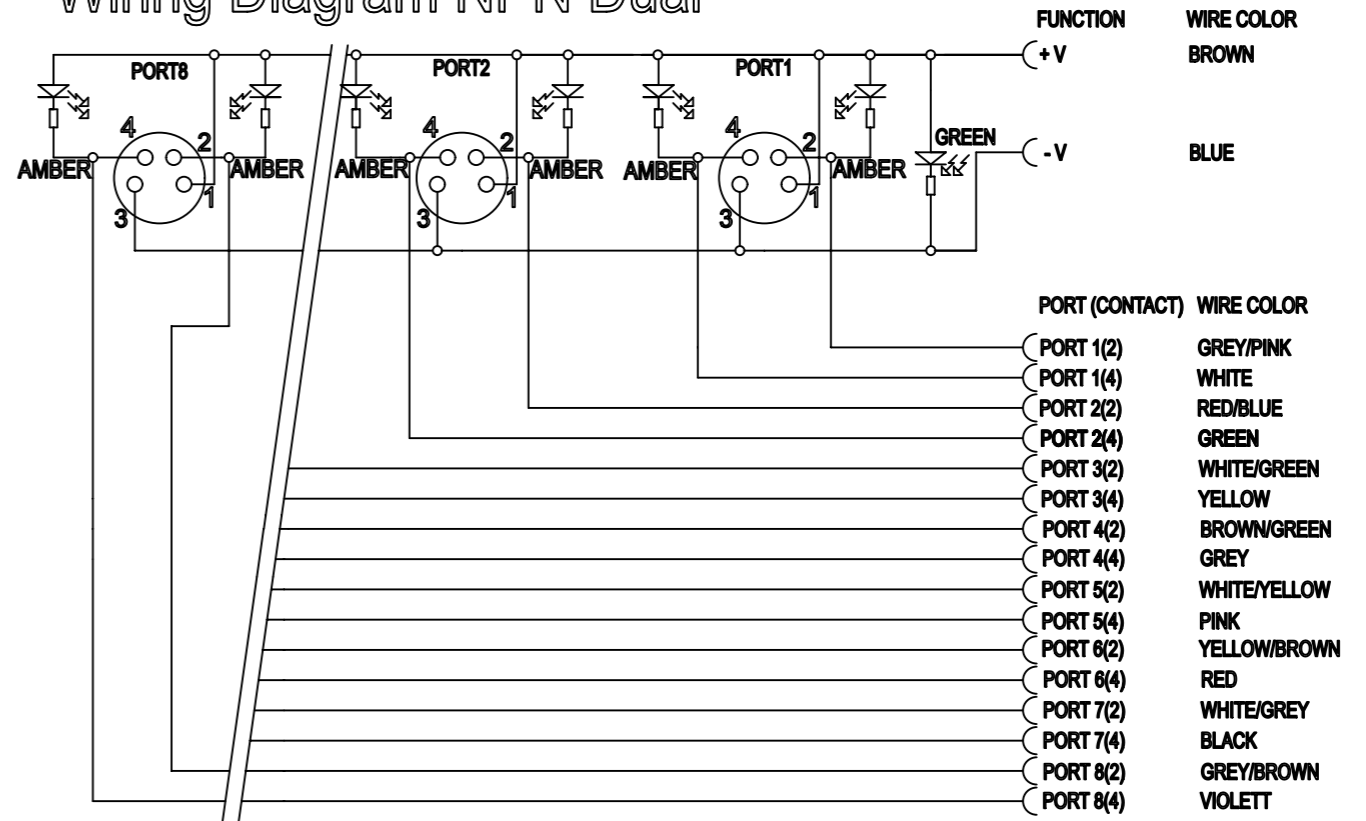
LENGTH	TOLERANCE
0m-1m	+40 mm
>1m-5m	+60 mm
>5m-10m	+80 mm
>10m-20m	+140 mm
>20m-30m	+160 mm
>30m	+1% length

FUNCTIONAL SYMBOLS ∇/A = 0 ∇/E = 0 ∇/V = 0	THIS DRAWING CONTAINS INFORMATION THAT IS PROPRIETARY TO MOLEX ELECTRONIC TECHNOLOGIES, LLC AND SHOULD NOT BE USED WITHOUT WRITTEN PERMISSION	CURRENT REV DESC: ADDED CABLE TOLERANCE TABLE	
	DIMENSION UNITS: mm	SCALE: 1:1	
DIVISIONAL SYMBOLS	GENERAL TOLERANCES (UNLESS SPECIFIED)		
	ANGULAR TOL ± °		
	4 PLACES ±		
	3 PLACES ±		
	2 PLACES ± 0.2		
	1 PLACE ± 0.3		
	0 PLACES ± 0.5		
DRAFT WHERE APPLICABLE MUST REMAIN WITHIN DIMENSIONS	THIRD ANGLE PROJECTION	DRAWING: A3-SIZE	SERIES: 120247
EC NO: 699789		DRWN: ULETTENMEIER	2015/01/20
DRWN: MDHARMANTI		2022/03/11	
CHK'D: RSILLER		2022/03/17	
APPR: RSILLER		2022/03/17	
INITIAL REVISION:			
DRWN: ULETTENMEIER		2015/01/20	
APPR: RSILLER		2015/04/22	
DOCUMENT NUMBER: 1202470016		DOC TYPE: PSD	DOC PART: 000
CUSTOMER: GENERAL MARKET		REVISION: B1	
MATERIAL NUMBER: SEE TABLE 1		SHEET NUMBER: 1 OF 2	

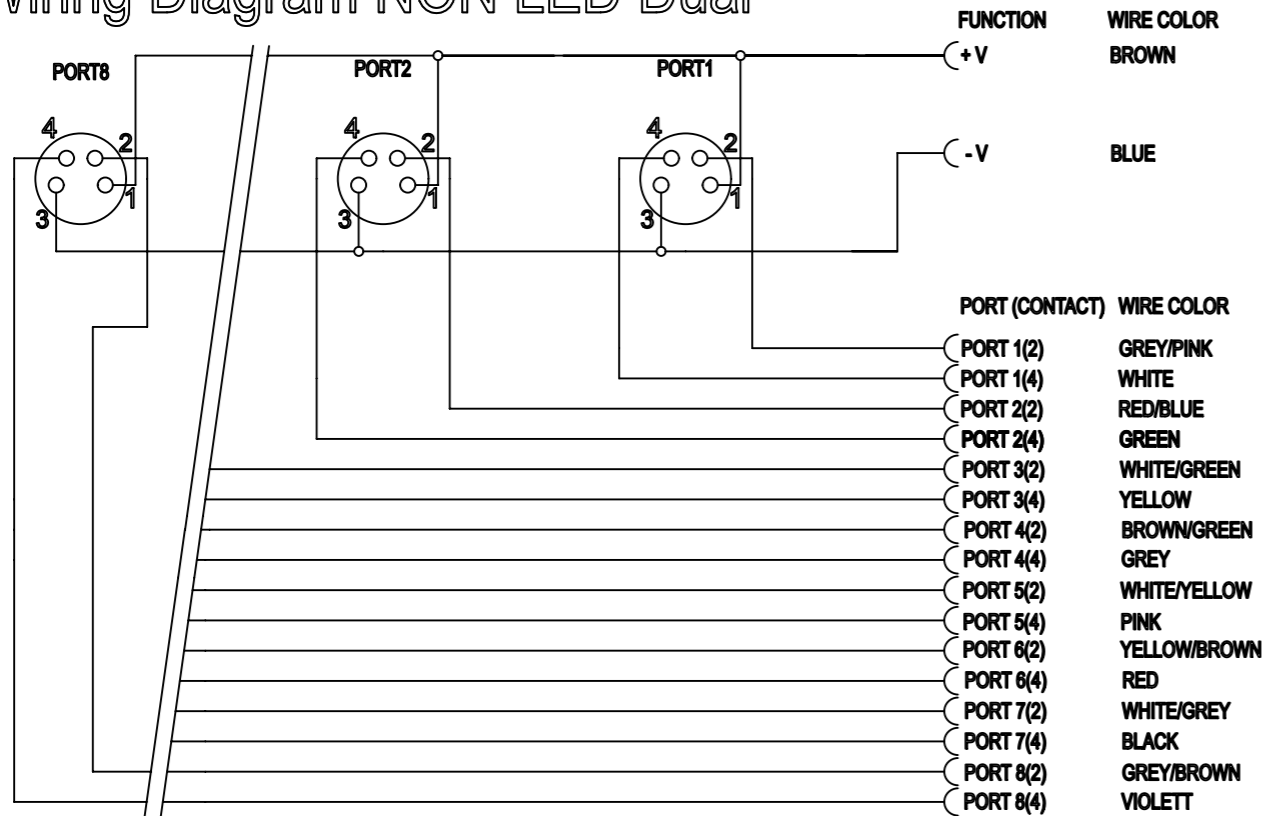
# Wiring Diagram PNP Dual



# Wiring Diagram NPN Dual



# Wiring Diagram NON LED Dual



FUNCTIONAL SYMBOLS	THIS DRAWING CONTAINS INFORMATION THAT IS PROPRIETARY TO MOLEX ELECTRONIC TECHNOLOGIES, LLC AND SHOULD NOT BE USED WITHOUT WRITTEN PERMISSION				
	DIMENSION UNITS	SCALE			
DIVISIONAL SYMBOLS	$\nabla_A = 0$	mm	1:1	EC NO: 699789	
	$\nabla_E = 0$	GENERAL TOLERANCES (UNLESS SPECIFIED)		DRWN: MDHARMANTI 2022/03/11	
	$\nabla_V = 0$	ANGULAR TOL ± °		CHK'D: RSILLER 2022/03/17	
	4 PLACES ±			APPR: RSILLER 2022/03/17	
	3 PLACES ±			INITIAL REVISION:	
2 PLACES ± 0.2			DRWN: ULETTENMEIER 2015/01/20		
1 PLACE ± 0.3			APPR: RSILLER 2015/04/22		
0 PLACES ± 0.5			MATERIAL NUMBER		
DRAFT WHERE APPLICABLE MUST REMAIN WITHIN DIMENSIONS		THIRD ANGLE PROJECTION	DRAWING	SERIES	CUSTOMER
			A3-SIZE	120247	SEE TABLE 1
				DOCUMENT NUMBER	DOC TYPE DOC PART REVISION
				1202470016	PSD 000 B1
				SHEET NUMBER	
				2 OF 2	