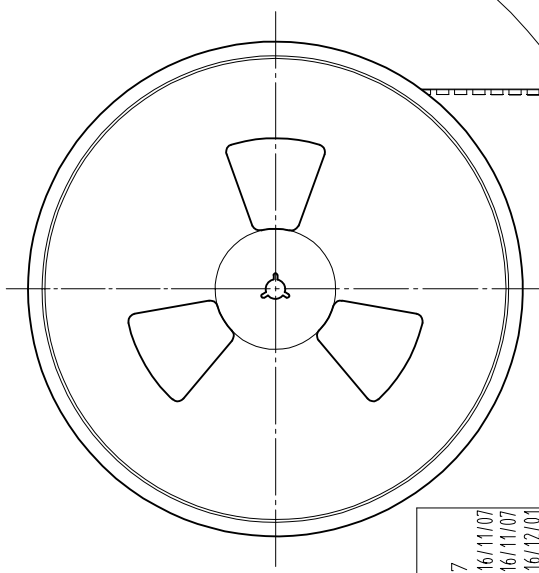
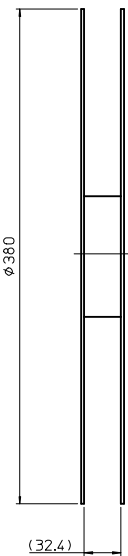


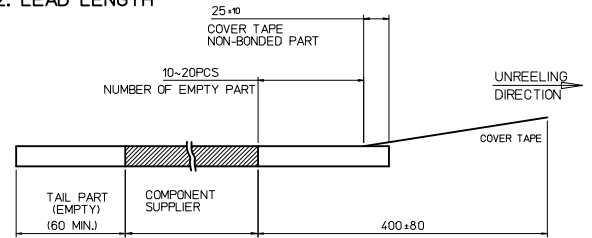
TOP VIEW OF EMBOSSED CARRIER



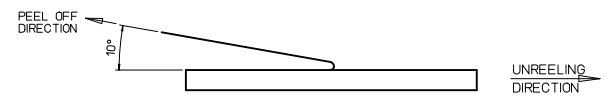
UNREEILING OF PRODUCTS DIRECTION

NOTES

- 1. QUANTITY OF PRODUCTS : 1,500 PCS / 1 REEL
- 2. LEAD LENGTH



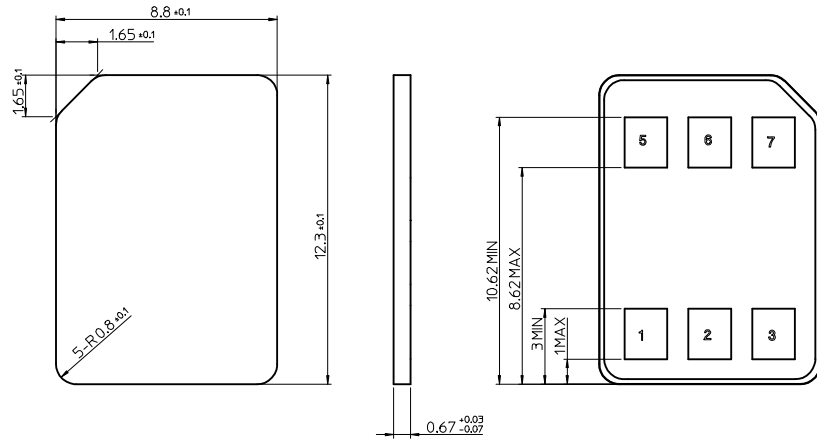
- 3. PEELING OFF FORCE OF COVER TAPE : 0.1N~0.59N(10.2~60gf)
(PEELING DIRECTION AS BELOW)
- PEELING OFF SPEED : 300mm/Min.(Ref.)



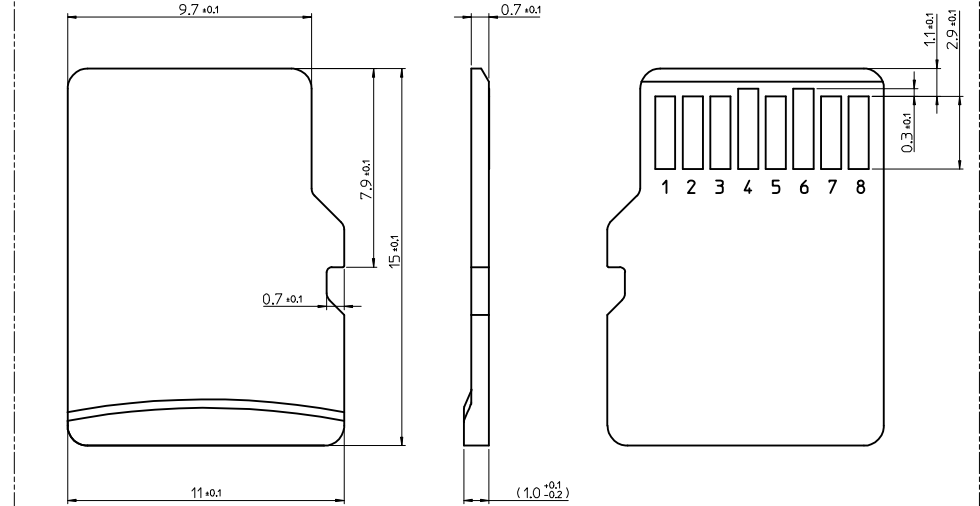
- 4. MATERIALS OF EMBOSSED CARRIER AND COVER TAPE : PET(POLYETHYLEN TEREPHTHALATE)

SEE SHEET1 EC NO: KOR2017-0027 DRWN: ICYANG 2016/11/07 CHKD: SHCHU 2016/11/07 APPR: YSKIM02 2016/12/01	QUALITY SYMBOLS ▽=0 ▽=0	GENERAL TOLERANCES (UNLESS SPECIFIED)		DIMENSION STYLE MM ONLY	SCALE 2/1	DESIGN UNITS METRIC	THIRD ANGLE PROJECTION	
			mm	INCH	DRAWN BY ICYANG	DATE 2014/06/16	TITLE COMBO 2.05H PULLER TYPE MICRO SD/NANO SIM 8P6P WITH M-SD S/W	
		4 PLACES	± ---	± ---	CHECKED BY	DATE 2014/06/16	molex	
		3 PLACES	± 0.12	± ---	APPROVED BY YSKIM02	DATE 2015/10/27		
	2 PLACES	± 0.12	± ---	MATERIAL NO.	DOCUMENT NO.	SHEET NO.		
	1 PLACE	± 0.15	± ---	SEE SHEET1		SD-104239-301		
	0 PLACE	± 0.15	± ---	THIS DRAWING CONTAINS INFORMATION THAT IS PROPRIETARY TO MOLEX INCORPORATED AND SHOULD NOT BE USED WITHOUT WRITTEN PERMISSION		2 OF 3		
A1	REV	DRAFT WHERE APPLICABLE MUST REMAIN WITHIN DIMENSIONS		SIZE A3				

REFERENCE CARDS DRAWING



nanoSIM CARD



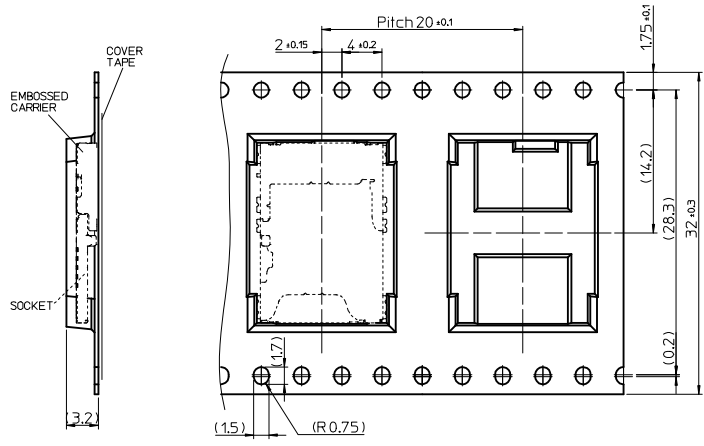
microSD CARD

[Reference Standards]

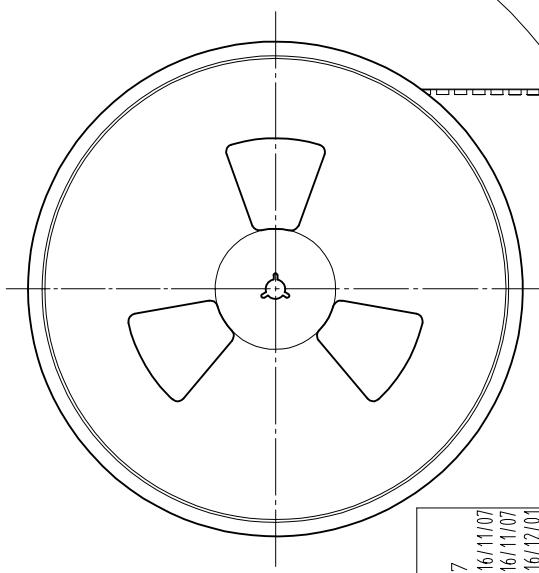
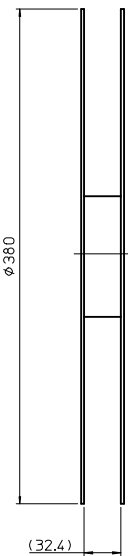
-. microSD Card Specification Addendum Version 4.00

-. ETSI TS 102 221 V12.0.0, Smart Cards; UICC-Terminal interface, Physical and logical characteristics

SEE SHEET1 IEC NO: KOR2017-0027 DRWN: I CYANG CHKD: SHCHU APPR: YSK IMO2	REV DESCRIPTION	QUALITY SYMBOLS	GENERAL TOLERANCES (UNLESS SPECIFIED)	DIMENSION STYLE	SCALE	DESIGN UNITS	THIRD ANGLE PROJECTION	
		▽=0	mm INCH	MM ONLY	5/1	METRIC		
		∇=0	4 PLACES ± --- ± ---	DRAWN BY DATE	TITLE			
			3 PLACES ± 0.12 ± ---	I CYANG 2014/06/16	COMBO 2.05H PULLER TYPE MICRO SD/NANO SIM 8P6P WITH M-SD S/W			
		2 PLACES ± 0.12 ± ---	CHECKED BY DATE	molex				
		1 PLACE ± 0.15 ± ---	2014/06/16	DOCUMENT NO.				
		0 PLACE ± 0.15 ± ---	APPROVED BY DATE	SHEET NO.				
			YSK IMO2 2015/10/27	SD-104239-301				
			MATERIAL NO.	3 OF 3				
			ANGULAR ± 1 °	SEE SHEET1				
			DRAFT WHERE APPLICABLE MUST REMAIN WITHIN DIMENSIONS	THIS DRAWING CONTAINS INFORMATION THAT IS PROPRIETARY TO MOLEX INCORPORATED AND SHOULD NOT BE USED WITHOUT WRITTEN PERMISSION				



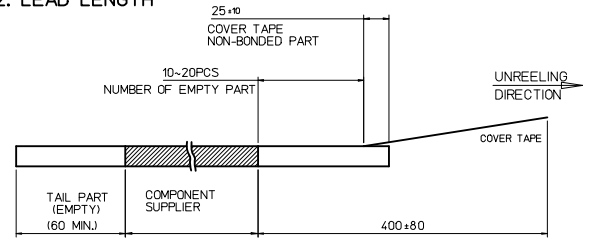
TOP VIEW OF EMBOSSED CARRIER



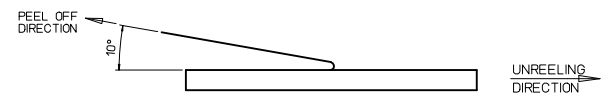
UNREELING OF PRODUCTS DIRECTION

NOTES

1. QUANTITY OF PRODUCTS : 1,500 PCS / 1 REEL
2. LEAD LENGTH



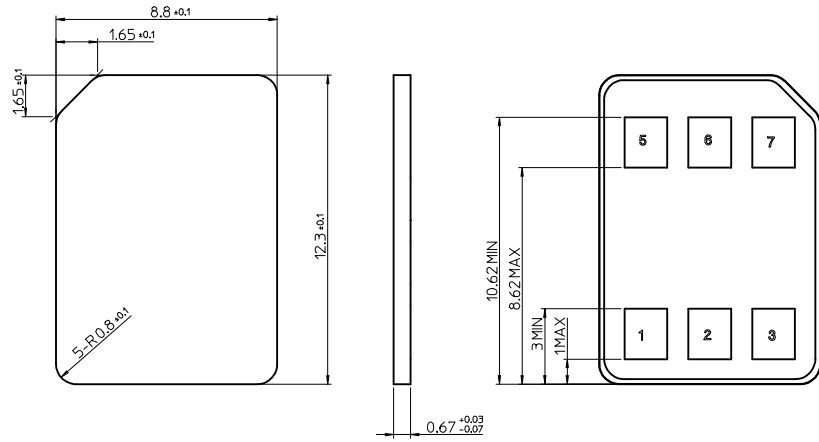
3. PEELING OFF FORCE OF COVER TAPE : 0.1N~0.59N(10.2~60gf)
(PEELING DIRECTION AS BELOW)
- PEELING OFF SPEED : 300mm/Min.(Ref.)



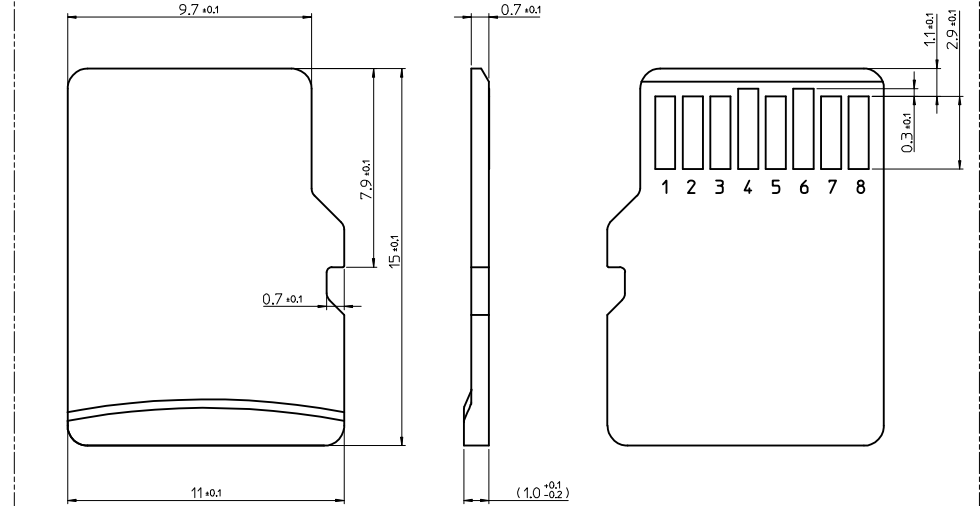
4. MATERIALS OF EMBOSSED CARRIER AND COVER TAPE : PET(POLYETHYLEN TEREPHTHALATE)

SEE SHEET1 EC NO: KOR2017-0027 DRWN: ICYANG 2016/11/07 CHKD: SHCHU 2016/11/07 APPR: YSKIM02 2016/12/01	QUALITY SYMBOLS ▽=0 ▽=0	GENERAL TOLERANCES (UNLESS SPECIFIED)		DIMENSION STYLE MM ONLY	SCALE 2/1	DESIGN UNITS METRIC	THIRD ANGLE PROJECTION	
			mm	INCH	DRAWN BY ICYANG	DATE 2014/06/16	TITLE COMBO 2.05H PULLER TYPE MICRO SD/NANO SIM 8P6P WITH M-SD S/W	
		4 PLACES	± ---	± ---	CHECKED BY	DATE 2014/06/16	molex	
		3 PLACES	± 0.12	± ---	APPROVED BY YSKIM02	DATE 2015/10/27		
2 PLACES	± 0.12	± ---	MATERIAL NO. SEE SHEET1		DOCUMENT NO. SD-104239-301	SHEET NO. 2 OF 3		
1 PLACE	± 0.15	± ---	SIZE A3		THIS DRAWING CONTAINS INFORMATION THAT IS PROPRIETARY TO MOLEX INCORPORATED AND SHOULD NOT BE USED WITHOUT WRITTEN PERMISSION			
0 PLACE	± 0.15	± ---	ANGULAR ± 1 °					
DRAFT WHERE APPLICABLE MUST REMAIN WITHIN DIMENSIONS								

REFERENCE CARDS DRAWING



nanoSIM CARD



microSD CARD

[Reference Standards]

-. microSD Card Specification Addendum Version 4.00

-. ETSI TS 102 221 V12.0.0, Smart Cards; UICC-Terminal interface, Physical and logical characteristics

SEE SHEET1 IEC NO: KOR2017-0027 DRWN: I CYANG CHKD: SHCHU APPR: YSK IM02	REV DESCRIPTION	QUALITY SYMBOLS ▽=0 ∇=0	GENERAL TOLERANCES (UNLESS SPECIFIED)		DIMENSION STYLE MM ONLY	SCALE 5/1	DESIGN UNITS METRIC	THIRD ANGLE PROJECTION		
				mm	INCH	DRAWN BY I CYANG	DATE 2014/06/16	TITLE COMBO 2.05H PULLER TYPE MICRO SD/NANO SIM 8P6P WITH M-SD S/W		
			4 PLACES	± ---	± ---	CHECKED BY	DATE 2014/06/16			
			3 PLACES	± 0.12	± ---	APPROVED BY YSK IM02	DATE 2015/10/27	DOCUMENT NO. SD-104239-301		
2 PLACES	± 0.12	± ---	MATERIAL NO.	SHEET NO. 3 OF 3						
1 PLACE	± 0.15	± ---	ANGULAR ± 1 °		THIS DRAWING CONTAINS INFORMATION THAT IS PROPRIETARY TO MOLEX INCORPORATED AND SHOULD NOT BE USED WITHOUT WRITTEN PERMISSION					
0 PLACE	± 0.15	± ---	DRAFT WHERE APPLICABLE MUST REMAIN WITHIN DIMENSIONS							
A1					SIZE A3					