



Molex NSCC Receptacle Hybrid Unsealed Six Circuit Connector Manufacturing and Design Improvements Customer Notification

March 11, 2013

Dear Molex Customer,

The purpose of this letter is to inform you that Molex will be replacing current mold tools to our manufacturing location in Lincoln, Nebraska for the Molex NSCC Receptacle Hybrid Unsealed Six Circuit Connectors. This replacement tooling is needed in order to keep up with current and future demands of this product.

Along with these new molds, an improved design will also be implemented in order to improve the overall product performance while not affecting fit, form or function. This design improvement is shown below.

The change consists of making the current multi-hinge band feature connecting the housing and secondary lock mechanism into a single solid hinge band. This key feature is currently a multi-hinge band as shown in Figure 1 below. The connector from the replacement tools will have the single solid hinge band as shown in Figure 2. This change will have no effect on form, fit, or function.

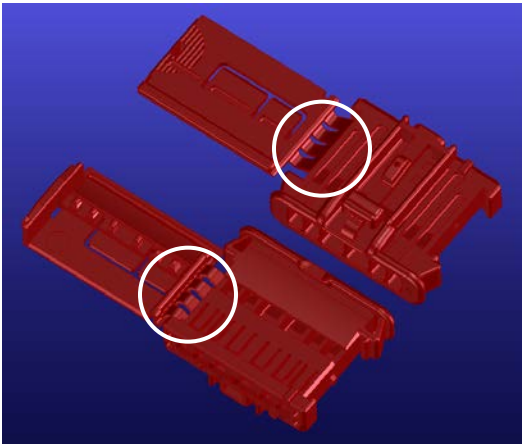


Figure 1: Current Production

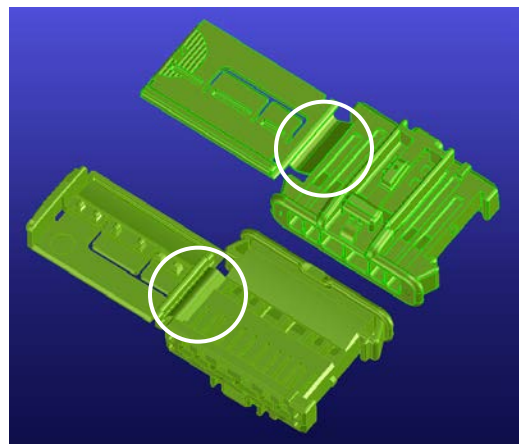


Figure 2: Replacement Tools

The intent of this improvement is to prevent the breakage of the hinge. This change has been validated with a series of tests, as indicated below, which proved this to be an effective improvement:

- The solid hinge band shows a 12% increase in tensile strength of the part with a 41% reduction in the standard deviation of the test data
- The solid hinge band shows a 69% reduction in the amount of broken hinges found during extreme shipping and handling tests
- This solid hinge also has a 17% increase in “twist” strength (twist to break force) compared to the current 4-band design

Timing:

Molex is in the process of validating the products from the replacement tools. Molex is also in the process of updating all related Customer drawings to reflect the new design. The Validation and PPAP of the tool is expected to be complete in July 2013.

FIFO: The plan from Molex will be to ship parts from the replacement tool when validated, and no longer ship the previously tooled current production connector.. Only one hinge design connector will be shipped.

Molex Part Numbers Affected:

98821-1060
98821-1061
98821-1065
98821-1068
98821-1069

Molex will be submitting PPAP documentation in support of the replacement tool and single hinge band connector to the appropriate Customer Supplier Quality Engineering contacts as required. The expected completion date for the above changes is July 2013.

Korn Kong
Product Manager