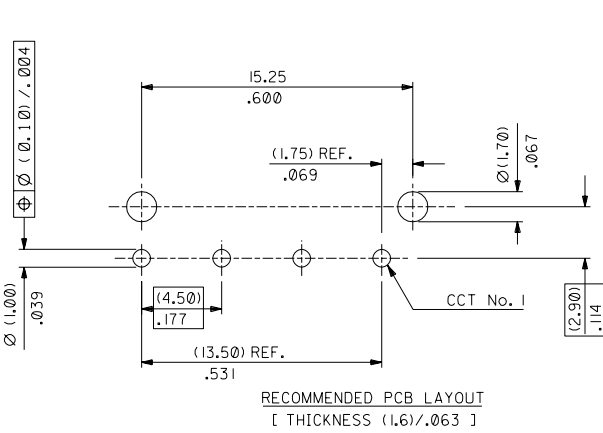
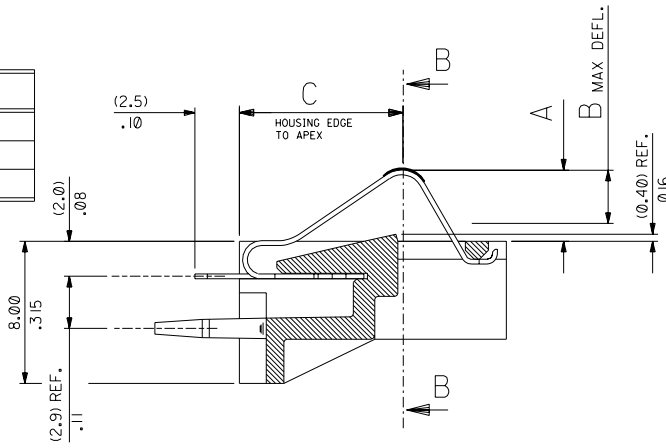


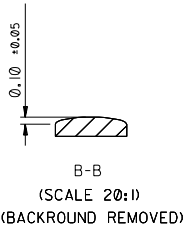
PART NUMBER:	CCT TYPE:	A DIM.	B DIM.	C DIM.
90803-1001	STANDARD	(4.0) / .16	(3.0) / .12	(9.2) / .36
90803-1002	LATE-MATE	(3.5) / .14	(2.5) / .10	(9.5) / .37

PART NUMBER:	CCTS.	LATE-MATE CCT:	QTY PER TUBE
90803-1001	4	NONE	27
90803-1002	4	2, 3, 4	27



NOTES:

- HOUSING: GLASS FILLED NYLON 46, RATED UL 94V-0 COLOUR - BLACK
- TERMINAL: (0.27) / .011 MIN. REF. THICK COPPER ALLOY (PHOS-BRONZE) PLATING: (0.125) / .5 INCH MIN. GOLD FLASH ON (1.0) / .4 INCH MIN. PALLADIUM NICKEL, WITH (1.75) / .7 INCH MIN NICKEL UNDERPLATE, (3-5) / .120-200 INCH TIN IN SOLDER TAIL AREA WITH (1.27) / .5 INCH MIN NICKEL OVERALL
- PRODUCTS ARE TO BE SUPPLIED IN TUBES



90803-1001 DRAWN FOR CLARITY

REV	DESCRIPTION	QUALITY SYMBOLS	GENERAL TOLERANCES: (UNLESS SPECIFIED)		SCALE 5:1	DESIGN UNITS <input checked="" type="checkbox"/> mm <input type="checkbox"/> INCH	THIRD ANGLE PROJECTION	DIMENSIONS:			SHT	REV		
			mm	INCH				mm	INCH	mm			INCH	
B	REMOVE LEAD FROM PLATING EC NO. E2804-0574 DRWN: DCARTON 11/2/03 CHK: APPR:	MAJOR CRITICAL C	4 PLACES	±0.1	±.									
			3 PLACES	±0.	±.									
			2 PLACES	±0.10	±.									
			1 PLACE	±0.20	±.									
			ANGULAR: ± °											
DRAFT WHERE APPLICABLE MUST REMAIN WITHIN DIMENSIONS						DRAWN BY & DATE BGB 93/03/12		CHECKED BY & DATE BGB 93/03/12		APPROVED BY & DATE BGB 93/03/12			TITLE: BATTERY CONNECTOR ASSEMBLY (4.50) / .177 CENTRES	
						CAD FILENAME		MATERIAL NO. SEE CHART		DRAWING NO. SDA-90803		SHEET NO. 1 OF 1		
						THIS DRAWING CONTAINS INFORMATION THAT IS PROPRIETARY TO MOLEX INCORPORATED AND SHOULD NOT BE USED WITHOUT WRITTEN PERMISSION.						SIZE C		