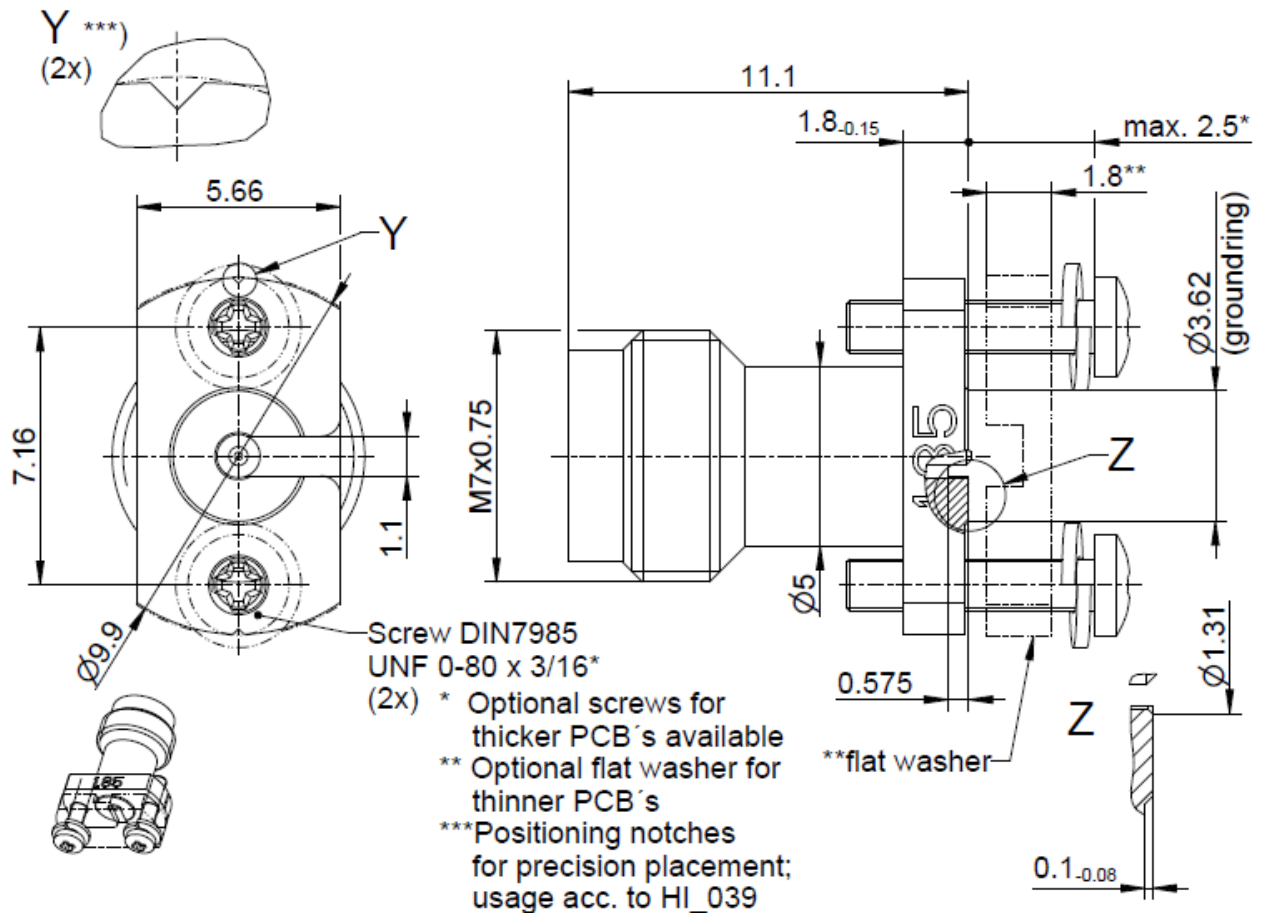


RPC-1.85
 Straight Jack PCB
 Economic Solderless
 Connector – for Microstrip

08K722-40MS3



All dimensions are in mm; tolerances according to ISO 2768 m-H

Interface

According to IEC 61169-32
 Mechanically compatible with RPC-2.40

Documents

PCB layout B 594D
 Handling instruction HI 039

Material and plating

Connector parts

Center contact	Material CuBe	Plating Gold, min. 1.27 µm, over chemical nickel
Outer contact	Stainless steel	Passivated
Dielectric	PTFE	

Dieses Dokument ist urheberrechtlich geschützt • This document is protected by copyright • Rosenberger Hochfrequenztechnik GmbH & Co. KG

RF_35/05:10/6.1

RPC-1.85
 Straight Jack PCB
 Economic Solderless
 Connector – for Microstrip

08K722-40MS3

Electrical data

Impedance 50 Ω
 Frequency DC to 70 GHz
 Return loss ≥ 21 dB, DC to 26.5 GHz
 ≥ 15 dB, 26.5 GHz to 40 GHz
 ≥ 14 dB, 40 GHz to 50 GHz
 ≥ 10 dB, 50 GHz to 70 GHz
 Insertion loss ≤ 0.05 x √f(GHz) dB
 Insulation resistance ≥ 5 GΩ
 Test voltage 500 V rms
 Working voltage 150 V rms
 RF-leakage ≥ 100 dB up to 1 GHz
 - Return Loss in application depends decisive on PCB layout -

Mechanical data

Mating cycles Interface ≥ 500
 Mating cycles PCB side ≥ 300 typical (at 20°C, sea level, non-permanent duration)
 Mating force PCB side ≤ 20 N
 Center contact captivation ≥ 27 N
 Coupling test torque RPC-1.85 1.65 Nm
 Typically torque for the screws 0.15 Nm
 Recommended torque RPC-1.85 0.80 Nm to 1.10 Nm

Environmental data

Storage temperature range -40°C to +85°C
 Operating temperature range -0°C to +85°C
 Corrosion IEC 61169-1, Subclause 9.4.6
 Vibration IEC 61169-1, Subclause 9.3.3
 Shock IEC 61169-1, Subclause 9.3.14
 Moisture resistance IEC 61169-1, Subclause 9.4.3
 RoHS compliant

Accessories

Available Screws DIN 7985-H-A2 UNF 0-80 (cylinder head screw) for different PCB lengths.
 3/16" length = Standard (already included with the connector) DIN7985-H-A2 UNF 0-80x3/16
 1/4" length = Optional (PCB thickness min. 1.2 mm to max. 4.2 mm) DIN7985-H-A2 UNF 0-80x1/4
 5/16" length = Optional (PCB thickness min. 2.8 mm to max. 5.7 mm) DIN7985-H-A2 UNF 0-80x5/16
 3/8" length = Optional (PCB thickness min. 4.4 mm to max. 7.4 mm) DIN7985-H-A2 UNF 0-80x3/8
 7/16" length = Optional (PCB thickness min. 6.0 mm to max. 8.9 mm) DIN7985-H-A2 UNF 0-80x7/16
 Flat Washer = Optional 08K723-40M/60L (recommended screw 1/4" for PCB size min. 0 mm to max. 2.4mm)

Tooling

N/A

Weight

2.4 g/pce

While the information has been carefully compiled to the best of our knowledge, nothing is intended as representation or warranty on our part and no statement herein shall be construed as recommendation to infringe existing patents. In the effort to improve our products, we reserve the right to make changes judged to be necessary.

For the installation of the electrotechnical equipment, particular electrotechnical expertise is required.



Dieses Dokument ist urheberrechtlich geschützt • This document is protected by copyright • Rosenberger Hochfrequenztechnik GmbH & Co. KG

RF_35/05:10/6:1

Draft	Date	Approved	Date	Rev.	Engineering change number	Name	Date
Martin Moder	05.10.18	Herbert Babinger	11.05.23	e00	23-0653	S. Barth	11.05.23
Rosenberger Hochfrequenztechnik GmbH & Co. KG P.O.Box 1260 D-84526 Tittmoning Germany www.rosenberger.de						Tel. : +49 8684 18-0 Email : info@rosenberger.de	
							Page 2 / 2