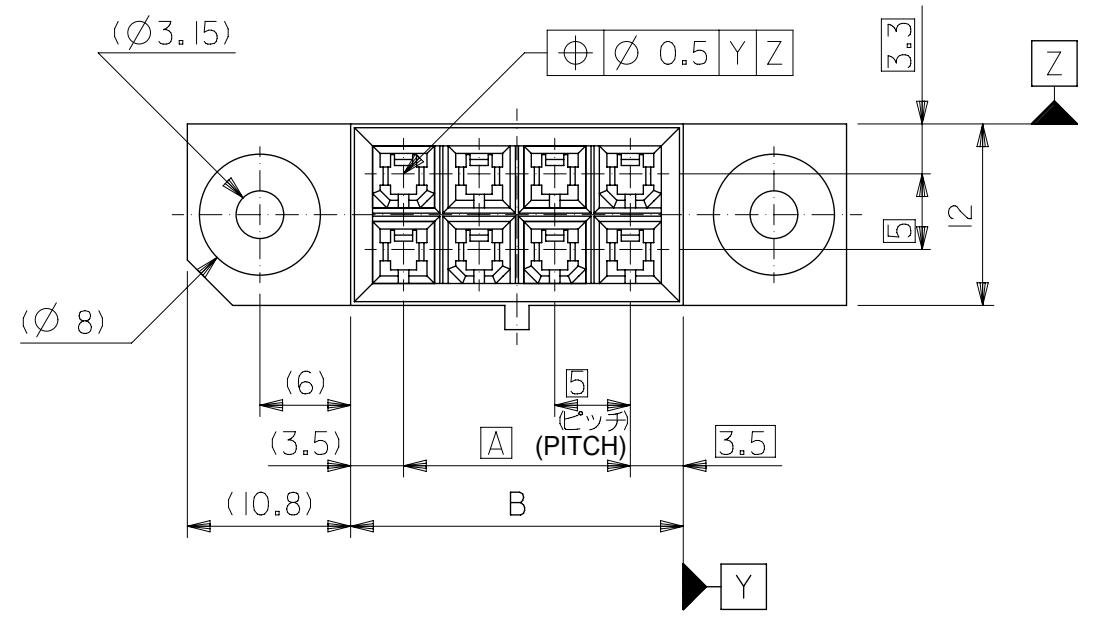
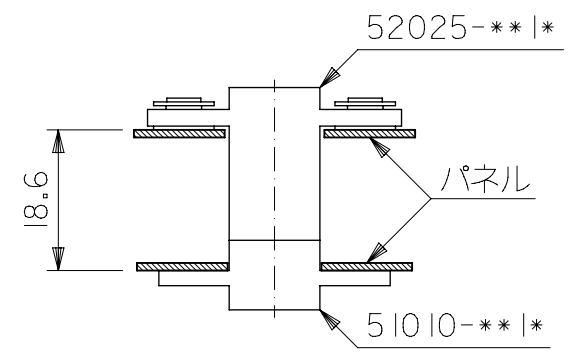
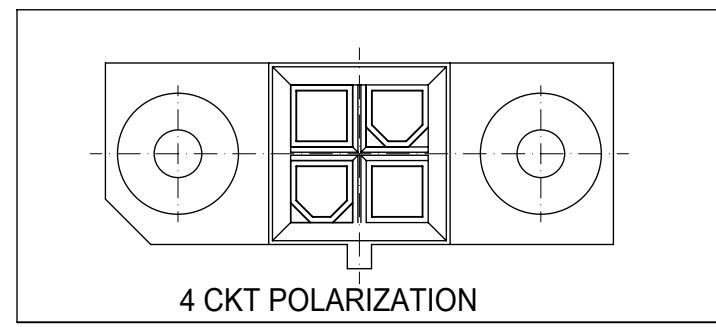


注記
NOTES

- 適用ターミナル : 5558 シリーズ
APPLICABLE TERMINAL : 5558 SERIES
- 嵌合相手 : 51010-***
MATES WITH : 51010-***
- パネル外一外寸法 : 18.6 (下図参照)
BETWEEN PANEL-PANEL DIMENSION : 18.6 (SEE BELOW FIGURE)



材料
MATERIAL
本体 : G.F.15% PBTP, UL94V-0
HOUSING : G.F.15% PBTP, UL94V-0
ブッシュ : 黄銅, ニッケルメッキ
BUSH : BRASS, NICKEL PLATING

13.2	6	33.6	24	12	5	52025-0411	BLACK	4
F	E	D	C	B	A	MATERIAL NO.	COLOR	極数 CKTS.
						MODEL NO. 52025-***1*		

THIS DRAWING CONTAINS INFORMATION THAT IS PROPRIETARY TO MOLEX ELECTRONIC TECHNOLOGIES, LLC AND SHOULD NOT BE USED WITHOUT WRITTEN PERMISSION													
DIMENSION UNITS		SCALE		CURRENT REV DESC: OBSOLETE D PART NO									
mm		2:1		<p>molex</p> <p>MINI. DRAWER CONN. CRIMP PIN HOUSING ASSY</p> <p>PRODUCT CUSTOMER DRAWING</p>									
GENERAL TOLERANCES (UNLESS SPECIFIED)													
4 PLACES ± 0.2 ±		MM INCH								EC NO: 608150		2018/09/28	
3 PLACES ± 0.25 ±										DRWN: AKUMAR19		2018/12/14	
2 PLACES ± 0.3 ±				CHK'D: GGA		2018/12/14							
1 PLACE ± ±				APPR: GGA		2018/12/14							
0 PLACES ± ±				INITIAL REVISION:									
ANGULAR TOL ± 3.0°				DRWN: T.HIRAMOTO		1989/11/24		DOCUMENT NUMBER					
				APPR: M.ENOMOTO		1990/04/05		SD-52025-001					
DRAFT WHERE APPLICABLE MUST REMAIN WITHIN DIMENSIONS		THIRD ANGLE PROJECTION		DRAWING		SERIES		MATERIAL NUMBER					
		A3-SIZE		52025		SEE TABLE		CUSTOMER					
				GENERAL MARKET		1 OF 1		SHEET NUMBER					