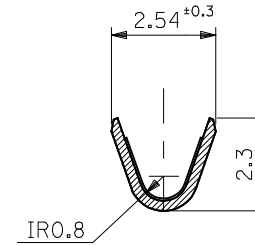
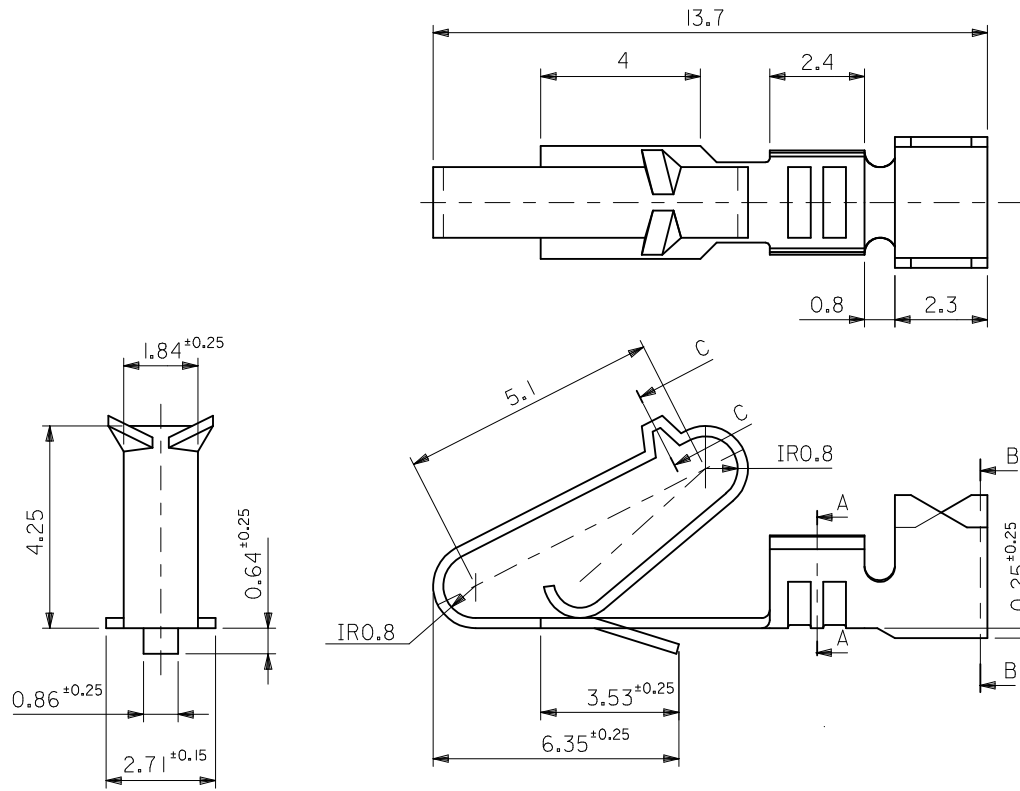
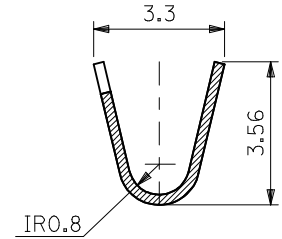


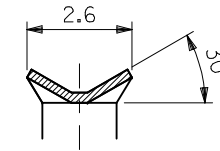
10 9 8 7 6 5 4 3 2 1



断面 A-A
SECTION A-A



断面 B-B
SECTION B-B



断面 C-C
SECTION C-C

注記
NOTE
一般公差 : ±0.4
角度 : ±3°
GENERAL TOLERANCES : ±0.4
ANGLE : ±3°

MATERIAL
SEE CHART

磷青銅 PHOSPHOR BRONZE	錫メッキ TIN PLATING	08-70-1034	5167PBT	バラ状 LOOSE
黄銅 BRASS	銅メッキ COPPER PLATING	08-70-0097	5167PBT	チェーン状 CHAIN
銅 MATERIAL	メッキ PLATE	EDP.NO.	ENG.NO.	形状 FORM

REVISED & REDRAWN EC NO: J2016-0865 DRWN: TMIYABE 2016/01/20 CHKD: KASAKAWA 2016/03/17 APPR: KANEKO 2016/03/18	GENERAL TOLERANCES (UNLESS SPECIFIED)		DIMENSION STYLE		SCALE		DESIGN UNITS		THIRD ANGLE PROJECTION	
	0.25 UNDER UNDER ±0.03		MM ONLY		8:1		METRIC		◎ □	
	0.25 OVER 0.5 UNDER ±0.05		DRAWN BY DATE		TITLE				STD KK CRIMP REC	
	0.5 OVER 1.0 UNDER ±0.1		TMIYABE 2016/01/20							
	1.0 OVER 10 UNDER ±0.2		CHECKED BY DATE							
10 OVER 30 UNDER ±0.25		KASAKAWA								
30 OVER ±0.3		APPROVED BY DATE								
ANGULAR ±3 °		TKANEKO 2016/03/18								
DRAFT WHERE APPLICABLE MUST REMAIN WITHIN DIMENSIONS		MATERIAL NO.		SEE CHART		DOCUMENT NO.		SHEET NO.		
		A3		THIS DRAWING CONTAINS INFORMATION THAT IS PROPRIETARY TO MOLEX ELECTRONIC TECHNOLOGIES, LLC AND SHOULD NOT BE USED WITHOUT WRITTEN PERMISSION		SD-5167-002		1 OF 1		

9 8 7 6 5 4 3 2 1