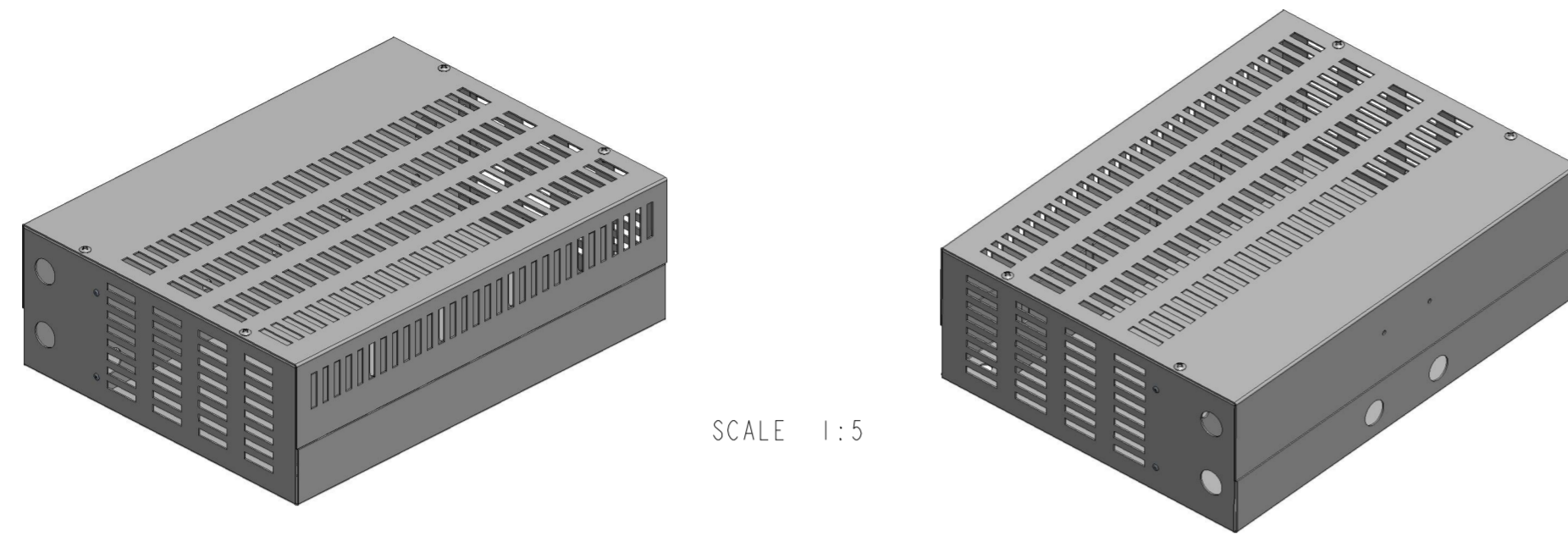
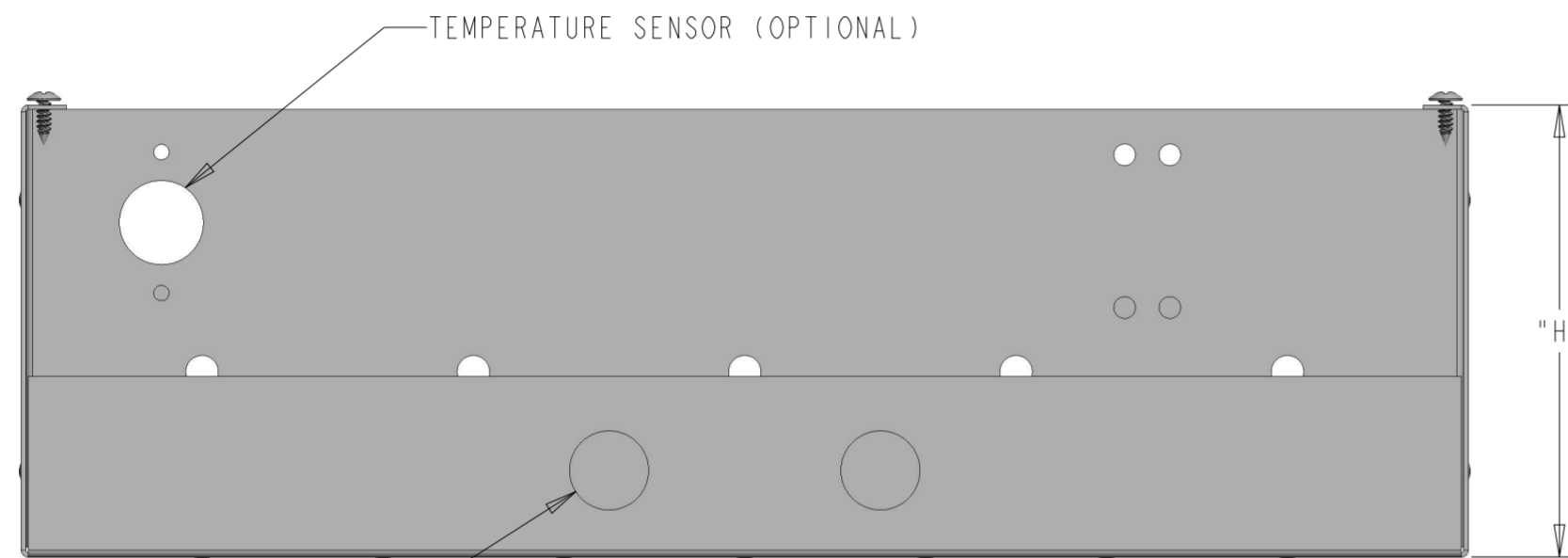


REVISIONS				
P	LTR	DESCRIPTION	DATE	APVD
A		INITIAL RELEASE	07OCT2021	KS AP



SCALE 1:5

(x4) $\varnothing 11.125$
(MOUNTING HOLES)

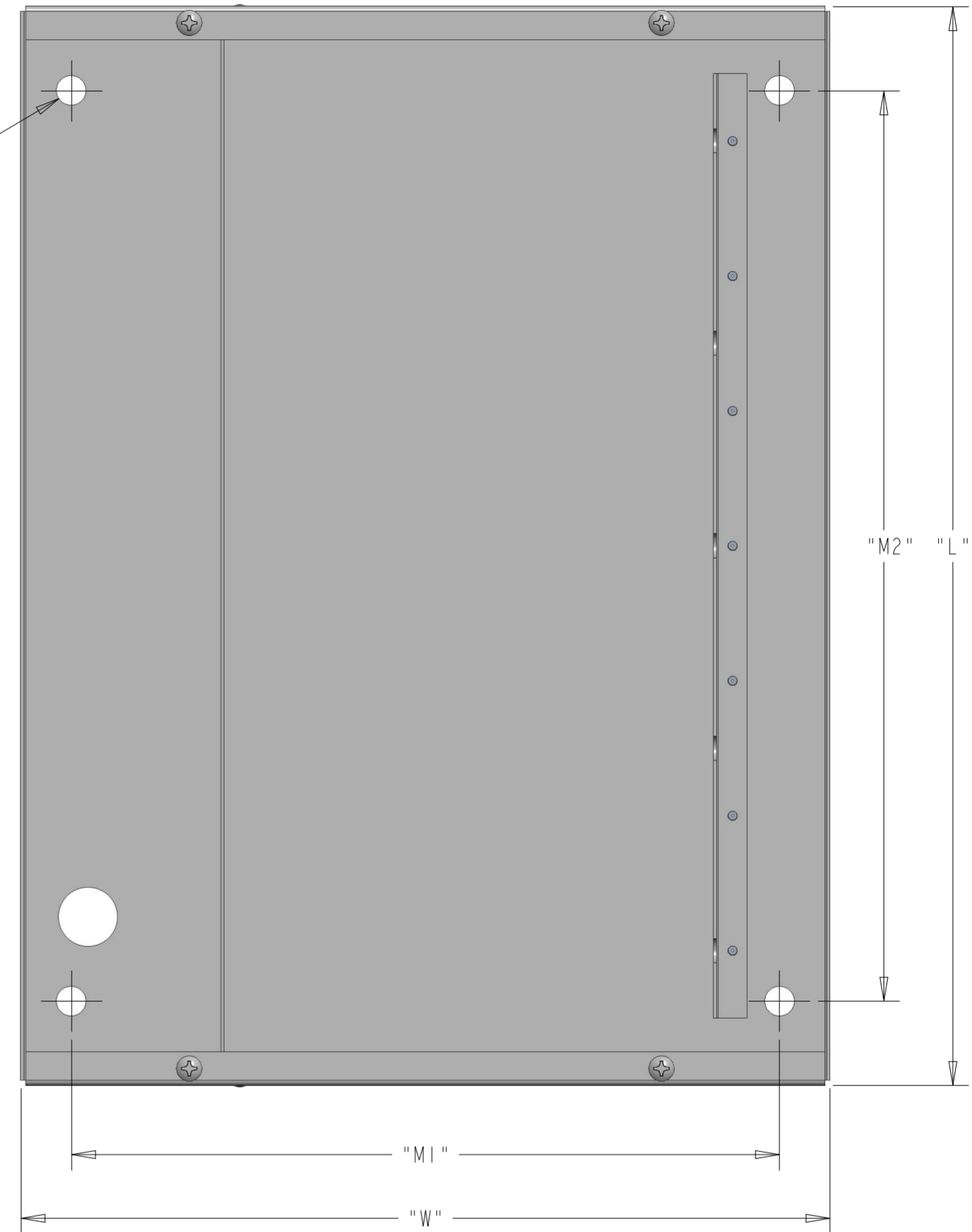


TEMPERATURE SENSOR (OPTIONAL)

(x7) $\varnothing 22.225$ (KNOCKOUTS)
[ONE LOCATED ON BOTTOM
2 ON LEFT AND RIGHT SIDE]

"H"

"M2" "L"



"M1"

"W"

PART NUMBER	W (mm)	L (mm)	H (mm)	M1 (mm)	M2 (mm)	TOTAL RESISTANCE	H.P.	DUTY CYCLE	DRIVE VOLTAGE	BRAKING TORQUE
HPBA015B85R100E	305	406	127	267	343	85 Ohms \pm 10%	1.50	100%	230 V	150%

THIS DRAWING IS A CONTROLLED DOCUMENT.

DWN	S. KARTHIK	21-09-2021
CHK	ALLAN PILE	21-09-2021
APVD	ALLAN PILE	21-09-2021
PRODUCT SPEC		
APPLICATION SPEC		
WEIGHT		
CUSTOMER DRAWING		

STE TE Connectivity

NAME: BRAKING RESISTOR ASSEMBLY TYPE HPBA SERIES HPBA015B85R100E

SIZE	CAGE CODE	DRAWING NO	RESTRICTED TO
A2	00779	C-1-2176470-9	-

SCALE 1:2 SHEET 1 OF 2 REV A

NOTE:
1. FOR FURTHER TECHNICAL INFORMATION PLEASE SEE THE DATASHEET FOR THE HPBA SERIES

4

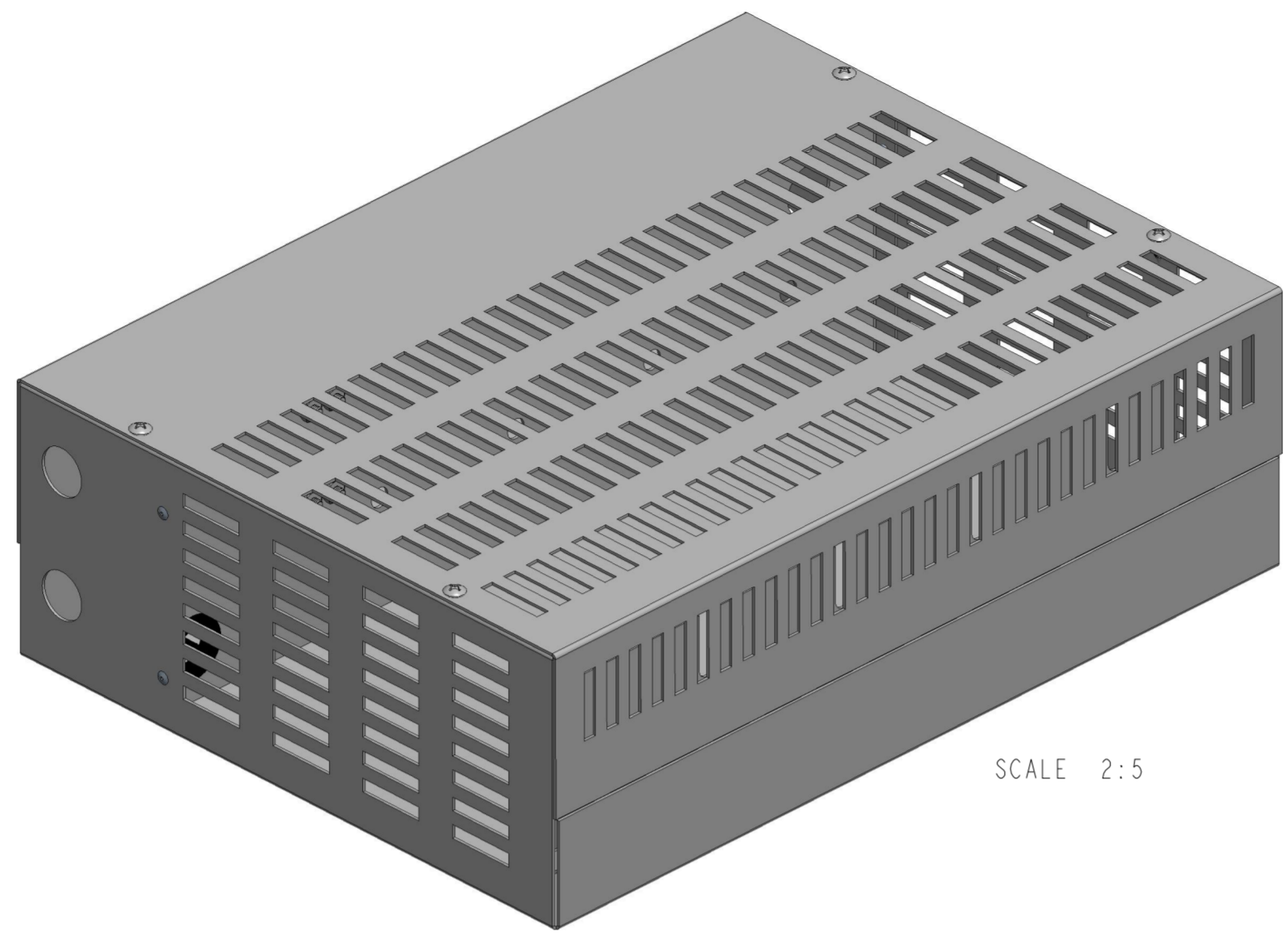
3

2

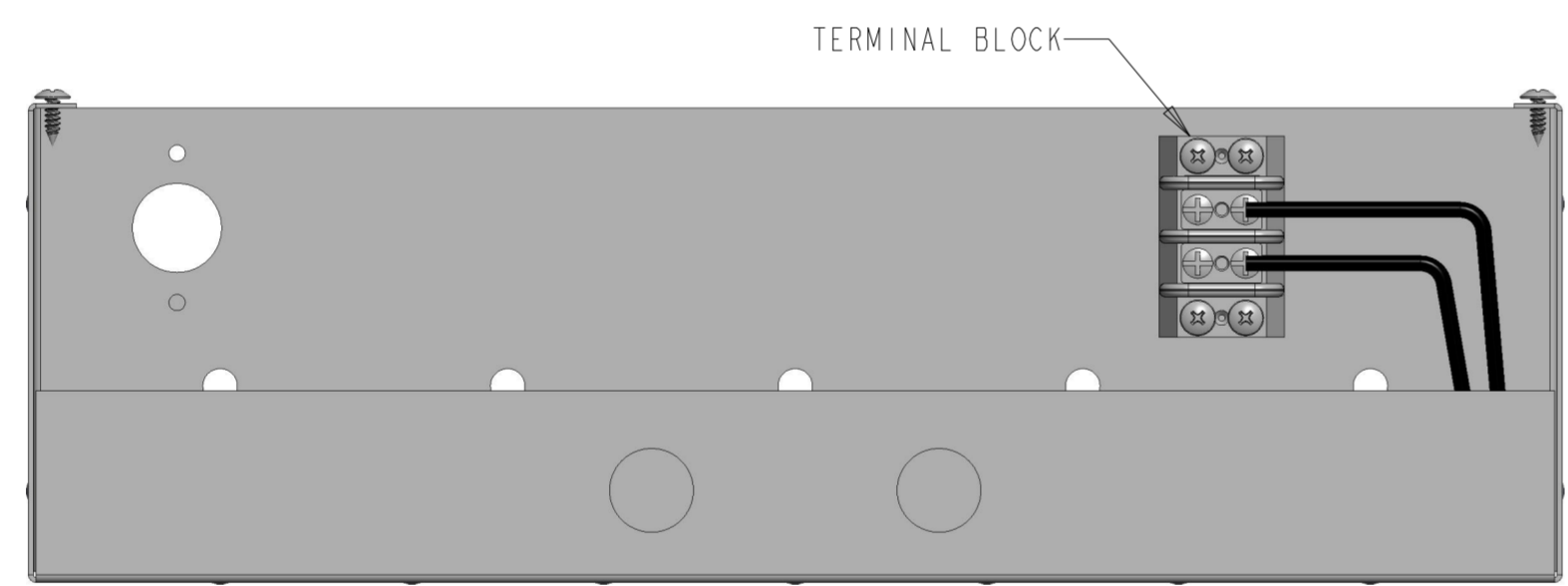
1

© 2021 TE Connectivity. All Rights Reserved.

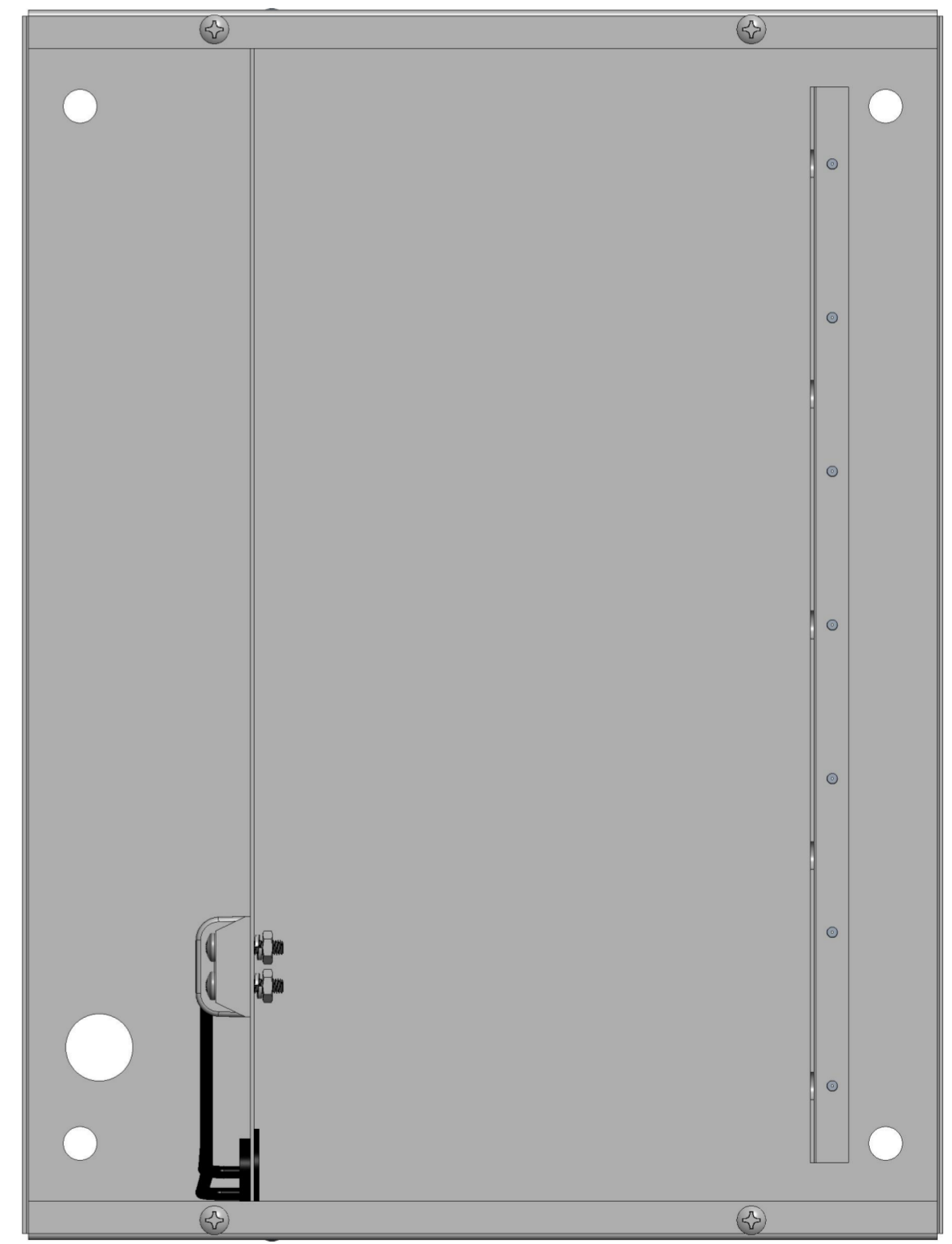
REVISIONS				
P	LTR	DESCRIPTION	DATE	APVD
		SEE SHEET 1		




SCALE 2:5



TERMINAL BLOCK



THIS DRAWING IS A CONTROLLED DOCUMENT.		DWN S. KARTHIC 21-09-2021	 TE Connectivity	
DIMENSIONS: mm		CHK ALLAN PILE 21-09-2021		
TOLERANCES UNLESS OTHERWISE SPECIFIED:		APVD ALLAN PILE 21-09-2021	NAME BRAKING RESISTOR ASSEMBLY TYPE HPBA SERIES HPBA015B85R100E	
0 PLC ± 1 PLC ± 2 PLC ±0.50 3 PLC ±0.500 4 PLC ± ANGLES ± FINISH -		PRODUCT SPEC -	SIZE A2	CAGE CODE 00779
MATERIAL -		APPLICATION SPEC -	DRAWING NO C-1-2176470-9	RESTRICTED TO -
		WEIGHT -	SCALE 1:2	SHEET 2 OF 2
		CUSTOMER DRAWING	REV A	