

Energy Management Modular Smart Power Quality Analyzer Type WM3-96



- Class 0.5 (current/voltage)
- 32-bit μ P-based modular smart power quality analyzer
- Graph display (128x64 dots)
- Front size: 96x96 mm
- Measurements of single phase and system variables: W, Wdmd, var, VA, VAdmd, PF, PFavg, V, A, An dmd (for all of them max. and min. values). Energies: kWh and kvarh on 4 quadrants.
- Neutral current measurement
- TRMS measurement of distorted waves (voltage/current)
- Current and voltage inputs with autoranging capability
- 4x4-dgt instantaneous variable read-out
- 4x9-dgt total energies read-out
- 4x6-dgt partial energies read-out
- 48 independent energy meters to be used as single, dual, multi-time energy management

- Display refresh time: 100 msec @ 50 Hz
- Harmonic distortion analysis (FFT) up to 50th harmonic with both graph and numerical indication (of current and voltage)
- Harmonics source detection
- Optional RS232 + real time clock function with data logging of alarm and MIN/MAX events, monthly energy metering recording

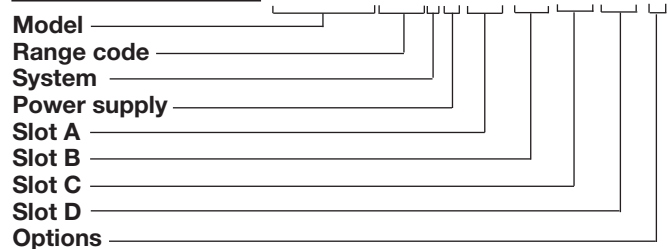
- Degree of protection (front): IP 65
- Up to 4 optional alarm setpoints
- Up to 4 optional pulse outputs
- Up to 4 optional analogue outputs
- Optional serial RS 422/485 output
- Universal power supply: 18 to 60VAC/DC - 90 to 260 VAC/DC
- MODBUS RTU, JBUS, (N2 METASYS protocols on request)

Product Description

32-bit μ P-based smart power quality analyzer with a built-in configuration key-pad. The housing is for panel mounting and ensures a degree of protection (front) of IP 65. The instrument is par-

ticularly indicated for those application where there is the need to control the power supply quality. The variables being displayed are more than 400.

Ordering Key **WM3-96AV53H XX XX XX XX X**



Type Selection

| Range code | Slot A (signal retransmission) | Slot B (signal retransmission) | Slot C (alarm or pulse out) |
|---|---|---|---|
| AV5: 240/415 VAC - 1/5 AAC (max. 300 V (L-N)/ 520 V (L-L) - 6 A) (standard) | XX: None A1: Single analogue output, 20mADC (standard) | XX: None B1: Dual analogue output, 20mADC (standard) | XX: None R1: Single relay output, (AC1-8AAC, 250VAC) ¹⁾ |
| AV7: 400/690VAC - 1/5 AAC (max. 480V (L-N) / 830 V (L-L) / 6 A ¹⁾) | A2: Single analogue output, ± 5 mADC ¹⁾ | B2: Dual analogue output, ± 5 mADC ¹⁾ | R2: Dual relay output, (AC1-8AAC, 250VAC) ¹⁾ |
| System | A3: Single analogue output, ± 10 mADC ¹⁾ | B3: Dual analogue output, ± 10 mADC ¹⁾ | O1: Single open collector output (30V/100mADC) ¹⁾ |
| 3: One phase, three-phase system (3 or 4 wires, balanced load) Three phase system (3 or 4 wires, unbalanced load) | A4: Single analogue output, ± 20 mADC ¹⁾ | B4: Dual analogue output, ± 20 mADC ¹⁾ | O2: Dual open collector output (30V/100mADC) ¹⁾ |
| Power supply | B1: Dual analogue output, 20mADC (standard) | W1: Dual analogue output, 10VDC (standard) | D1: 3 digital inputs ¹⁾ |
| L: 18 to 60VAC/DC ¹⁾ | B2: Dual analogue output, ± 5 mADC ¹⁾ | W2: Dual analogue output, ± 1 VDC ¹⁾ | Slot D (alarm or pulse out) |
| H: 90 to 260VAC/DC | B3: Dual analogue output, ± 10 mADC ¹⁾ | W3: Dual analogue output, ± 5 VDC ¹⁾ | XX: None |
| ¹⁾ On request | B4: Dual analogue output, ± 20 mADC ¹⁾ | W4: Dual analogue output, ± 10 VDC ¹⁾ | R2: Dual relay output, (AC1-8AAC, 250VAC) ¹⁾ |
| | V1: Single analogue output, 10VDC (standard) | S1: Serial port, RS485 multidrop, bidirectional ¹⁾ | O2: Dual open collector output (30V/100mADC) ¹⁾ |
| | V2: Single analogue output, ± 1 VDC ¹⁾ | Note: | O4: 4 open collector outputs (30V/100mADC) ¹⁾ |
| | V3: Single analogue output, ± 5 VDC ¹⁾ | Slot A + Slot B Max 4 analogue outputs | Options |
| | V4: Single analogue output, ± 10 VDC ¹⁾ | Slot C + Slot D max 4 digital outputs | X: None |
| | W1: Dual analogue output, 10VDC (standard) | | S: Serial RS232 + RTC |
| | W2: Dual analogue output, ± 1 VDC ¹⁾ | | N: With N2 Metasys protocol |
| | W3: Dual analogue output, ± 5 VDC ¹⁾ | | C: options: S+N |
| | W4: Dual analogue output, ± 10 VDC ¹⁾ | | |

Input Specifications

| | | | | |
|--|--|--|---------------------------------|--|
| Number of inputs | | | Magnetic field | ≤ 0.5%RDG, @ 400 A/m |
| Current | 2 (system: single phase) 6 (system: 3-phase) | | Temperature drift | ≤ 200ppm/°C |
| Voltage | 2 (system: single phase) 4 (system: 3-phase) | | Sampling rate | 6400 samples/s @ 50Hz |
| Digital | 3 free of voltage contacts for Wdmd, VAdmd, An dmd, PFavg synchronization Reading voltage/current: 17.5 to 25VDC/<8mA | | Display | Graph LCD, 128x64pixel, back-lighted. Selectable read-out for the instantaneous variables: 4x4-dgt or 4x3 ^{1/2} -dgt Total Energies: 4x9-dgt; Partial: 4x6-dgt |
| Accuracy (display, RS232, RS485) | In: 5A, If.s.: 6A, start-up I: 15mA | | Max. and min. indication | Max. 9999 (999,999,999), Min. -9999 (-999,999,999) |
| Current (A _{L1} , A _{L2} , A _{L3}) | ±0.5% RDG (0.2 to 1.2 In) ±5mA (0.02 to 0.2 In) | | Measurements | Current, voltage, power, energy, harmonic distortion (see "Display pages" table). TRMS measurement of a distorted wave (voltage/current). Coupling type: Direct Crest factor: ≤3 (max. 15Ap/500Vp (V L-N) or 15Ap/800Vp (V L-N)) |
| Current (A _r) | ±1% RDG (0.2 to 1.2 In) @ 40 to 100 Hz | | Ranges (impedances) | |
| Voltage | AV5 range: ±0.5% RDG (48 to 300 V _{L-N}) ±1% RDG (84 to 519 V _{L-L}) AV7 range: ±0.5% RDG (80 to 480 V _{L-N}) ±1% RDG (139 to 830 V _{L-L}) includes also: frequency, power supply and output load influences | | AV5 | 58/100 V (>500 kΩ) - 1 AAC (≤ 0.3 VA) 58/100 V (>500 kΩ) - 5 AAC (≤ 0.3 VA) 240/415 V (>500 kΩ) - 1 AAC (≤ 0.3 VA) 240/415 V (>500 kΩ) - 5 AAC (≤ 0.3 VA) |
| Frequency | ±0.1% RDG (40 to 440 Hz) | | AV7 | 100/170 V (>500 kΩ) 1 AAC (≤ 0.3 VA) 100/170 V (>500 kΩ) - 5 AAC (≤ 0.3 VA) 400/690 V (>500 kΩ) - 1 AAC (≤ 0.3 VA) 400/690 V (>500 kΩ) - 5 AAC (≤ 0.3 VA) |
| Active power (@ 25°C ± 5°C, R.H. ≤ 60%) | ±0.5% (RDG + FS) (PF 0.5 L/C, 0.1 to 1.2 In, AV5 range) or ±1% RDG (PF 0.5 L/C, 0.1 to 1.2 In, AV5 range) | | Frequency range | 40 to 440 Hz |
| Reactive power (@ 25°C ± 5°C, R.H. ≤ 60%) | ±0.5% (RDG + FS) (PF 0.5 L/C, 0.1 to 1.2 In, AV5 range) or ±1% RDG (PF 0.5 L/C, 0.1 to 1.2 In, AV5 range) | | Over-load protection | |
| Apparent power (@ 25°C ± 5°C, R.H. ≤ 60%) | ±0.5% (RDG + FS) (0.1 to 1.2 In, AV5 range) or ±1% RDG (0.1 to 1.2 In, AV5 range) | | Continuous: voltage/current | AV5: 300 V _{LN} /520 V _{LL} /6A AV7: 480 V _{LN} /830 V _{LL} /6A |
| Energies (@ 25°C ± 5°C, R.H. ≤ 60%) | Active: class 1 according to EN61036 Reactive: class 2 according to EN61268 Ib: 5A, I _{max} : 6A 0.1Ib: 500mA Start up current: 20mA Un: 240V (AV5), 400V (AV7) 1% FS (FS: 100%) phase: ±2°; I _{min} : 0.1Arms; I _{max} : 15Ap; U _{min} : 50Vrms; U _{max} : 500Vp Sampling frequency 6400 samples/s @ 50Hz | | For 1 s | AV5 600 V _{LN} /1040 V _{LL} /120A AV7 960 V _{LN} /1660 V _{LL} /120A |
| Harmonic distortion (@ 25°C ± 5°C, R.H. ≤ 60%) | | | Keypad | 4 keys: "S" for enter programming phase and password confirmation, "UP" and "DOWN" for value programming/function selection, page scrolling "F" for special functions |
| Additional errors | | | | |
| Humidity | ≤ 0.3%RDG, 60% to 90% R.H. | | | |
| Input frequency | ≤ 0.4%RDG, 62 to 400 Hz | | | |

Output Specifications

Analogue outputs (on request)

| | | |
|-------------------|--|--|
| Number of outputs | Up to 4 (on request) | 0 to ±10 mADC, |
| Accuracy | ±0.2% FS (@ 25°C ± 5°C, R.H. ≤ 60%) | 0 to ±5 mADC 0 to 10 VDC, 0 to ±10 VDC 0 to ±5 VDC 0 to ±1 VDC |
| Range | 0 to 20 mADC, 0 to ±20 mADC | |

Output Specifications (cont.)

| | | | |
|--|--|---|--|
| Scaling factor | Programmable within the whole range of retransmission; it allows the retransmission management of all values from: 0 to 20 mADC, 0 to ± 20 mADC 0 to ± 10 mADC, 0 to ± 5 mADC 0 to 10 VDC, 0 to ± 10 VDC 0 to ± 5 VDC 0 to ± 1 VDC | Connections Data format Baud-rate Protocol Other data | 3 wires, max. distance 15m, 1-start bit, 8-data bit, no parity, 1-stop bit 9600 bauds MODBUS (JBUS) as for RS422/485 |
| Variables to be retransmitted | All (see table "List of the variables that can be connected to:...") | Digital outputs (on request) | Up to 4 outputs (combination of alarms and pulse outputs) The working of the outputs: pulse or alarm or both of them is fully programmable and is independent from the chosen output module. Outputs remotely controlled by the serial communication port |
| Response time | ≤ 200 ms typical (filter excluded, FFT excluded 3 1/2 dgt indication) | Pulse outputs (on request) | |
| Ripple | $\leq 1\%$ according to IEC 60688-1 and EN 60688-1 | Number of outputs Type | Up to 4, independent From 1 to 1000 programmable pulses for K-M-G Wh, K-M-G varh, open collector (NPN transistor) V_{ON} 1.2 VDC/ max. 100 mA V_{OFF} 30 VDC max. Outputs connectable to total and partial energy meters |
| Temperature drift | 200 ppm/ $^{\circ}$ C | Pulse duration | 220 ms (ON), ≥ 220 ms (OFF) |
| Load: | | Insulation | According to DIN43864 By means of optocouplers, 4000 V_{RMS} output to measuring input, 4000 V_{RMS} output to supply input. |
| 20 mA output | $\leq 600 \Omega$ | Note | The outputs can be either open collector type or relay type (for this latter one see the characteristics mentioned in the ALARMS). |
| ± 20 mA output | $\leq 550 \Omega$ | | |
| ± 10 mA output | $\leq 1100 \Omega$ | | |
| ± 5 mA output | $\leq 2200 \Omega$ | | |
| 10 V output | $\geq 10 k\Omega$ | | |
| ± 10 V output | $\geq 10 k\Omega$ | | |
| ± 5 V output | $\geq 10 k\Omega$ | | |
| ± 1 V output | $\geq 10 k\Omega$ | | |
| Insulation | By means of optocouplers, 4000 V_{RMS} output to measuring input 4000 V_{RMS} output to supply input | | |
| RS422/RS485 output (on request) | Multidrop bidirectional (static and dynamic variables) | Alarms outputs (on request) | |
| Connections | 4 wires, max. distance 1200m, termination directly on the module | Number of setpoints Alarm type | Up to 4, independent Up alarm, down alarm, up alarm with latch, down alarm with latch, phase asymmetry, phase loss, neutral loss |
| Addresses | 1 to 255, selectable by key-pad | Variables to be controlled | All (see table "List of the variables that can be connected to:...") |
| Protocol | MODBUS RTU /JBUS, (N2 METASYS on request) | Setpoint adjustment Hysteresis On-time delay Relay status | 0 to 100% of the electrical scale 0 to 100% of the electrical scale 0 to 255 s Selectable, Normally de-energized, normally energized |
| Data (bidirectional) | | Output type | Relay, SPDT AC 1-8A, 250VAC DC 12-5A, 24VDC AC 15-2.5A, 250VAC DC 13-2.5A, 24VDC |
| Dynamic (reading only) | All display variables (see also the table, "List of the variables that can be connected to:...") | Min. response time | ≤ 150 ms, filter excluded, FFT excluded, setpoint on-time delay: "0s" |
| Static (writing only) | All configuration parameters, reset of energy, activation of digital output Stored energy (EEPROM) max. 999.999.999 kWh/kvarh | Insulation | 4000 V_{RMS} output to measuring input, 4000 V_{RMS} output to supply input |
| Data format | 1-start bit, 8-data bit, no parity/even parity, odd parity, 1 stop bit | Note | The outputs can be either relay type or open collector type (for this latter one, see the characteristics mentioned in the PULSE OUTPUTS). |
| Baud-rate | 1200, 2400, 4800 and 9600 selectable bauds | | |
| Insulation | By means of optocouplers, 4000 V_{RMS} output to measuring inputs 4000 V_{RMS} output to supply input | | |
| RS232 output (on request) | Bidirectional (static and dynamic variables) | | |

Software Functions

| | | | |
|--------------------------|---|-------------------------|---|
| Password | Numeric code of max. 3 digits; 2 protection levels of the programming data Password "0", no protection Password from 1 to 499, all data are protected | Filter action | Display, alarm, analogue and serial outputs (fundamental variables: V, A, W and their derived ones) |
| 1st level | | Event logging | Only with RS232 + RTC module. The alarms max/min values will be stored with time (hh:mm:ss) and date (dd:mm:yy) references Max. capacity: 480 events |
| 2nd level | | Page Variables | Max. 4/page, one freely prog. page + 26 variable pages + according to the kind of period selection: up to 12 energy meter pages. |
| Transformer ratio | For CT up to 30000 A, For VT up to 600 kV | Display language | English, Italian, French, German, Spanish |
| Scaling factor | Electrical scale: compression/expansion of the input scale to be connected to up to 4 analogue outputs. Programmable within the whole measuring range | | |
| Operating mode | | | |
| Electrical range | | | |
| Filter | 0 to 99.9% of the input electrical scale 1 to 255 | | |
| Filter operating range | | | |
| Filtering coefficient | | | |

Supply Specifications

| | | | |
|----------------------|---|--------------------------|--|
| AC/DC voltage | 90 to 260VAC/DC (standard), 18 to 60VAC/DC (on request), | Power consumption | ≤ 30VA/12W (90to 260V) ≤ 20VA/12W (18 to 60V) |
|----------------------|---|--------------------------|--|

General Specifications

| | | | |
|-------------------------------------|--|-----------------------------|---|
| Operating temperature | 0 to +50°C (32 to 122°F) (R.H. < 90% non-condensing) | Product requirements | Energy measurements: EN61036, EN61268. DIN43864 |
| Storage temperature | -10 to +60°C (14 to 140°F) (R.H. < 90% non-condensing) | Pulse output: | |
| Insulation reference voltage | 300 V _{RMS} to ground (AV5 input) | Approvals | CE, UL, CSA |
| Insulation | 4000 V _{RMS} between all inputs/ outputs to ground | Connector | Screw-type, max. 2.5 mm ² wires x 2 |
| Dielectric strength | 4000 V _{RMS} for 1 minute | Housing | 96x96x140 mm ABS, self-extinguishing: UL 94 V-0 |
| Noise rejection | 100 dB, 48 to 62 Hz | Material | |
| CMRR | | Degree of protection | Front: IP65, NEMA4x, NEMA12 |
| EMC | EN 50081-2, EN 50082-2 | Weight | Approx. 600 g (packing included) |
| Other standards | IEC 61010-1, EN 61010-1 IEC 60688-1, EN 60688-1 | | |
| Safety requirements: | | | |
| Product requirements: | | | |

Function Description

Input and output scaling capability

Working of the analogue outputs (y) versus input variables (x)

Figure A

The sign of measured quantity and output quantity remains the same. The output quantity is proportional to the measured quantity.

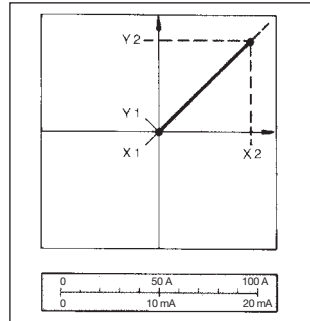


Figure D

The sign of measured quantity and output quantity remains the same. With the measured quantity being zero, the output quantity already has the value $Y1 = 0.2 Y2$. Live zero output.

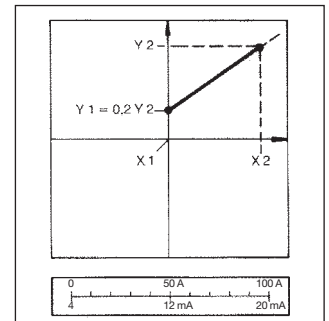


Figure B

The sign of measured quantity and output quantity changes simultaneously. The output quantity is proportional to the measured quantity.

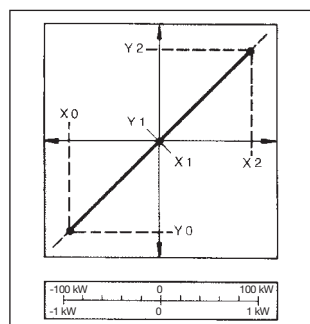


Figure E

The sign of the measured quantity changes but that of the output quantity remains the same. The output quantity steadily increases from value X1 to value X2 of the measured quantity.

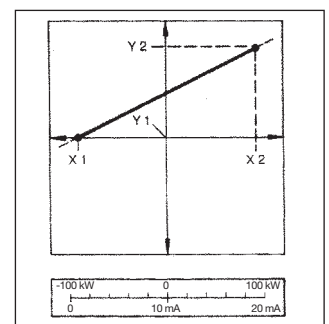


Figure C

The sign of measured quantity and output quantity remains the same. On the range X0...X1, the output quantity is zero. The range X1...X2 is delineated on the entire output range $Y0 = Y1...Y2$ and thus presented in strongly expanded form.

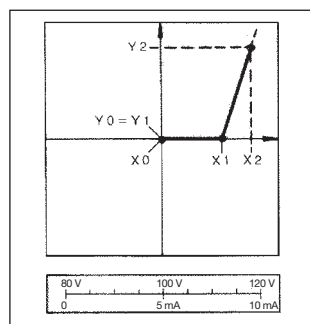
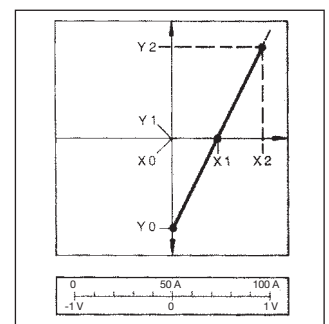


Figure F

The sign of the measured quantity remains the same, that of the output quantity changes as the measured quantity leaves range X0...X1 and passes to range X1...X2 and vice versa.



Mode of Operation

Waveform of the signals that can be measured

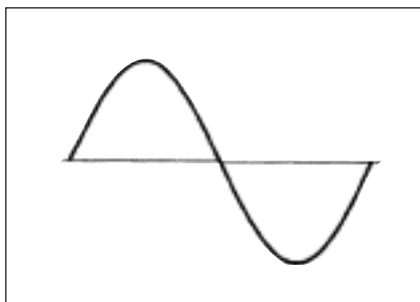


Figure G

Sine wave, undistorted

Fundamental content 100%
 Harmonic content 0%
 $A_{rms} = 1.1107 | \bar{A} |$

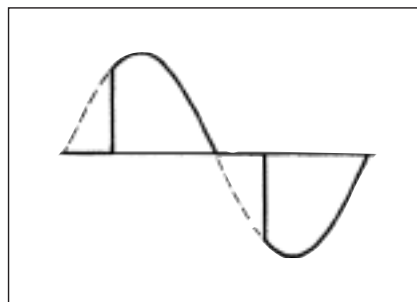


Figure H

Sine wave, indented

Fundamental content 10...100%
 Harmonic content 0...90%
 Frequency spectrum 3rd to 50th harmonic

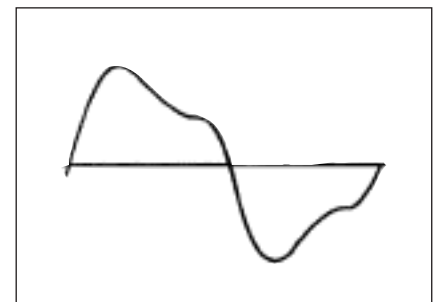


Figure I

Sine wave, distorted

Fundamental content 70...90%
 Harmonic content 10...30%
 Frequency spectrum 3rd to 50th harmonic



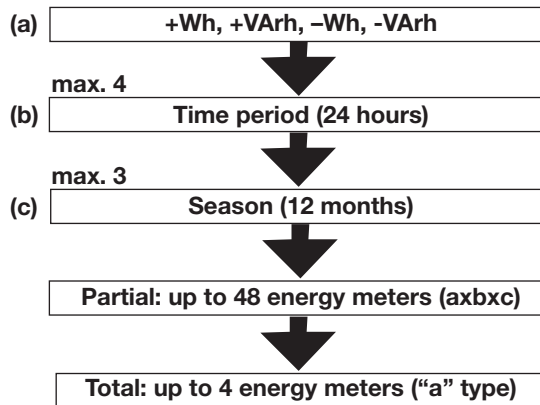
Harmonic distortion analysis

| | | |
|---|---|---|
| Analysis principle | FFT | |
| Harmonic measurement Current Voltage | Up to 50th harmonic Up to 50th harmonic | |
| Type of harmonics | THD (VL1) THD odd (VL1) THD even (VL1) and also for the other phases: L2, L3. THD (IL1) THD odd (IL1) THD even (IL1) and also for the other phases: L2, L3. | |
| Harmonic phase angle | The instrument measures the angle between the single harmonic of "V" and the single harmonic of "I" of the same order. According to the value of the electrical angle, it is possible to know if the distortion is absorbed or generated. Note: if the system has 3 | wires the angle cannot be measured. |
| | | Harmonic details For every THD page it is possible to see the harmonic order. |
| | | Display pages The harmonics content is displayed as a graph showing the whole harmonic spectrum. The information is given also as numerical information: THD in % / RMS value THD odd in % / RMS value THD even in % / RMS value single harmonic in % / RMS value |
| | | Others The harmonic distortion can be measured in 2-wire, 3-wire or 4-wire systems. Tw: 0.02 |

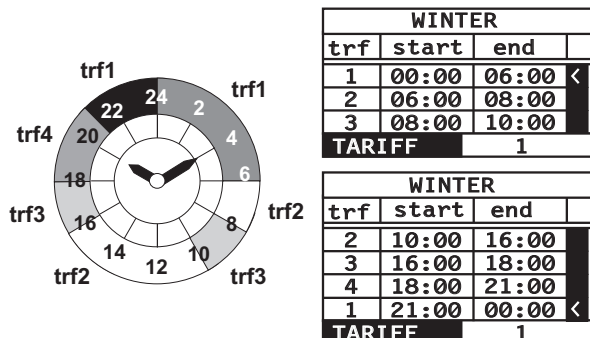
Energy time period management

| | |
|--|--|
| Time periods | Selectable: single time, dual time and multi-time |
| Single time Number of energy meters | Total: 4 (9-digit) (no partial meters) |
| Dual time Number of energy meters Time periods | Total: 4 (9-digit) Partial: 8 (6-digit) 2, programmable within 24 hours |
| Multi time Number of energy meters Time periods Time seasons | Total: 4 (9-digit) Partial: 48 (6-digit) 4, programmable within 24 hours 3, programmable within 12 months |
| Pulse outputs | Connectable to total and partial energy meters (Single time, dual time, multi time periods) |
| Energy metering recording | Energy consumption story, recording of energy metering by months, oldest data: 2 months before current month. Recording of total and partial energy metering |

Management concept (multi-time)



Example of Multi-time energy metering



Display pages

Variables that can be displayed in case of a three-phase system, 4-wire connection.

| No | 1st variable | 2nd variable | 3rd variable | 4th variable | Note |
|----|---|--------------|--------------|--------------|---|
| | Selectable | Selectable | Selectable | Selectable | |
| 1 | V L1 | V L2 | V L3 | V L-N sys | Sys = Σ |
| 2 | V L1-2 | V L2-3 | V L3-1 | V L-L sys | Sys = Σ |
| 3 | A L1 | A L2 | A L3 | A n | |
| 4 | W L1 | W L2 | W L3 | W sys | Sys = Σ |
| 5 | var L1 | var L2 | var L3 | var sys | Sys = Σ |
| 6 | VA L1 | VA L2 | VA L3 | VA sys | Sys = Σ |
| 7 | PF L1 | PF L2 | PF L3 | PF sys | |
| 8 | V L1 | A L1 | PF L1 | W L1 | |
| 9 | V L2 | A L2 | PF L2 | W L2 | |
| 10 | V L3 | A L3 | PF L3 | W L3 | |
| 11 | V L-L sys | PF sys | var sys | W sys | Sys = Σ |
| 12 | A n | PF sys | Hz | W sys | Sys = Σ |
| 13 | A n dmd | VA dmd | PF avg | W dmd | dmd=demand, avg=average |
| 14 | (MAX1) | (MAX2) | (MAX3) | (MAX4) | The MAX value can be one of the above mentioned (No. 1 to No. 13) |
| 15 | (MAX5) | (MAX6) | (MAX7) | (MAX8) | |
| 16 | (MAX9) | (MAX10) | (MAX11) | (MAX12) | |
| 17 | (MIN1) | (MIN2) | (MIN3) | (MIN4) | |
| 18 | (MIN5) | (MIN6) | (MIN7) | (MIN8) | The MIN value can be one of the above mentioned (No. 1 to No. 13) |
| 19 | Histogram FFT V1 (THD, TADo, THDe, Single harmonic) | | | | Only if analysis V1-A1 is activated |
| 20 | Histogram FFT A1 (THD, TADo, THDe, Single harmonic) | | | | Only if analysis V1-A1 is activated |
| 21 | Histogram FFT V2 (THD, TADo, THDe, Single harmonic) | | | | Only if analysis V2-A2 is activated |
| 22 | Histogram FFT A2 (THD, TADo, THDe, Single harmonic) | | | | Only if analysis V2-A2 is activated |
| 23 | Histogram FFT V3 (THD, TADo, THDe, Single harmonic) | | | | Only if analysis V3-A3 is activated |
| 24 | Histogram FFT A3 (THD, TADo, THDe, Single harmonic) | | | | Only if analysis V3-A3 is activated |
| 25 | KWh + TOT | KWh - TOT | Kvar+ TOT | Kvar- TOT | |
| 26 | KWh+ | KWh- | Kvar+ | Kvar- | Partial energy meters |

Used Calculation Formulas

Formulas being used for single-phase measurements

Instantaneous effective voltage

$$V_{IN} = \sqrt{\frac{1}{n} \cdot \sum_1^n (V_{IN})_i^2}$$

Instantaneous active power

$$W_1 = \frac{1}{n} \cdot \sum_1^n (V_{IN})_i \cdot (A_1)_i$$

Instantaneous power factor

$$\cos\phi_1 = \frac{W_1}{VA_1}$$

Instantaneous effective current

$$A_1 = \sqrt{\frac{1}{n} \cdot \sum_1^n (A_1)_i^2}$$

Instantaneous apparent power

$$VA_1 = V_{IN} \cdot A_1$$

Instantaneous reactive power

$$VAR_1 = \sqrt{(VA_1)^2 - (W_1)^2}$$

Formulas being used for 3-phase measurements

Equivalent three-phase voltage

$$V_{\Sigma} = \frac{V_{12} + V_{23} + V_{31}}{3}$$

Three-phase reactive power

$$VAR_{\Sigma} = (VAR_1 + VAR_2 + VAR_3)$$

Neutral current

$$A_n = \overline{A_{L1}} + \overline{A_{L2}} + \overline{A_{L3}}$$

Three-phase active power

$$W_{\Sigma} = W_1 + W_2 + W_3$$

Three-phase apparent power

$$VA_{\Sigma} = \sqrt{W_{\Sigma}^2 + VAR_{\Sigma}^2}$$

Equivalent three-phase power factor

$$\cos\phi_{\Sigma} = \frac{W_{\Sigma}}{VA_{\Sigma}} \quad (\text{TPF})$$

Total harmonic distortion

$$THD_i = \sqrt{\frac{\sum_{n=2}^{\infty} T_{ni}^2}{T_{1i}}}$$

Harmonic values:

THDi-THD of parameter T at phase i

T_{n,i} - value of parameter T at the n'th harmonic of phase i

Energy metering

$$kWh_i = \int_{t_1}^{t_2} P_1(t) dt \cong \Delta t \sum_{n_1}^{n_2} P_{n,i}$$

$$kVarh_i = \int_{t_1}^{t_2} Q_i(t) dt \cong \Delta t \sum_{n_1}^{n_2} Q_{n,i}$$

kWh_i = total consumed active energy at phase i

kVarh_i = total consumed reactive energy at phase i

P(t) = total RMS active power at phase i of time t

Q_i(t) = total RMS reactive power at phase i of time t

t₁, t₂ = starting and ending time points of consumption recording

P_{n,i} = total RMS active power at phase i of discrete time n

Q_{n,i} = total RMS reactive power at phase i of discrete time n

Δt = time interval between two successive power consumptions

n₁, n₂ = starting and ending discrete time points of consumption recording

List of the variables that can be connected to:

- max/min variable detection;
- analogue outputs;
- alarm outputs.

| No | Variable | 1-phase Sys. | 3-ph. + N Bal. Sys. | 3-ph. + N Unbal. Sys. | 3-ph. Bal. Sys. | 3-ph. Unbal. Sys. | Note |
|----|-----------|--------------|---------------------|-----------------------|-----------------|-------------------|--|
| 1 | V L1 | o | x | x | o | o | |
| 2 | V L2 | o | x | x | o | o | |
| 3 | V L3 | o | x | x | o | o | |
| 4 | V L-N sys | o | x | x | o | o | Σ |
| 5 | V L1-2 | x | x | x | x | x | |
| 6 | V L2-3 | o | x | x | x | x | |
| 7 | V L3-1 | o | x | x | x | x | |
| 8 | V L-L sys | o | x | x | x | x | Σ |
| 9 | A L1 | x | x | x | x | x | |
| 10 | A L2 | o | x | x | x | x | |
| 11 | A L3 | o | x | x | x | x | |
| 12 | A n | o | x | x | o | o | Neutral current |
| 13 | W L1 | x | x | x | o | o | |
| 14 | W L2 | o | x | x | o | o | |
| 15 | W L3 | o | x | x | o | o | |
| 16 | W sys | o | x | x | x | x | Σ |
| 17 | var L1 | x | x | x | o | o | |
| 18 | var L2 | o | x | x | o | o | |
| 19 | var L3 | o | x | x | o | o | |
| 20 | var sys | o | x | x | x | x | Σ |
| 21 | VA L1 | x | x | x | o | o | |
| 22 | VA L2 | o | x | x | o | o | |
| 23 | VA L3 | o | x | x | o | o | |
| 24 | VA sys | o | x | x | x | x | Σ |
| 25 | PF L1 | x | x | x | o | o | |
| 26 | PF L2 | o | x | x | o | o | |
| 27 | PF L3 | o | x | x | o | o | |
| 28 | PF sys | o | x | x | x | x | Σ |
| 29 | Hz | x | x | x | x | x | |
| 30 | THD V1 | x | x | x | x | x | if FFT V1-A1 is activated |
| 31 | THDo V1 | x | x | x | x | x | if FFT V1-A1 is activated |
| 32 | THDe V1 | x | x | x | x | x | if FFT V1-A1 is activated |
| 33 | THD V2 | o | x | x | x | x | if FFT V2-A2 is activated |
| 34 | THDo V2 | o | x | x | x | x | if FFT V2-A2 is activated |
| 35 | THDe V2 | o | x | x | x | x | if FFT V2-A2 is activated |
| 36 | THD V3 | o | x | x | x | x | if FFT V3-A3 is activated |
| 37 | THDo V3 | o | x | x | x | x | if FFT V3-A3 is activated |
| 38 | THDe V3 | o | x | x | x | x | if FFT V3-A3 is activated |
| 39 | THD A1 | x | x | x | x | x | if FFT V1-A1 is activated |
| 40 | THDo A1 | x | x | x | x | x | if FFT V1-A1 is activated |
| 41 | THDe A1 | x | x | x | x | x | if FFT V1-A1 is activated |
| 42 | THD A2 | o | x | x | x | x | if FFT V2-A2 is activated |
| 43 | THDo A2 | o | x | x | x | x | if FFT V2-A2 is activated |
| 44 | THDe A2 | o | x | x | x | x | if FFT V2-A2 is activated |
| 45 | THD A3 | o | x | x | x | x | if FFT V3-A3 is activated |
| 46 | THDo A3 | o | x | x | x | x | if FFT V3-A3 is activated |
| 47 | THDe A3 | o | x | x | x | x | if FFT V3-A3 is activated |
| 48 | A n dmd | x | x | x | x | x | Integration time programmable from 1 to 30 minutes |
| 49 | VA dmd | x | x | x | x | x | Integration time prog. from 1 to 30 min. |
| 50 | PF avg | x | x | x | x | x | Integration time prog. from 1 to 30 min. |
| 51 | W dmd | x | x | x | x | x | Integration time prog. from 1 to 30 min. |
| 52 | ASY | o | x | x | x | x | Integration time prog. from 1 to 30 min. |

Note: (x) stands for an "available" variable, (o) stands for a "not-available" variable.

The available modules

| Type | N. of channels | Ordering code |
|---------------------------|----------------|---------------|
| WM3-96 base | | AD 1016H |
| WM3-96 N2 METASYS base | | AD 1016HN2 |
| AV5.3 measuring inputs | | AQ 1018 |
| AV7.3 measuring inputs | | AQ 1019 |
| 18-60VAC/DC power supply | | AP1021 |
| 90-260VAC/DC power supply | | AP1020 |
| 20mADC analogue output | 1 | AO1050 |
| 10VDC analogue output | 1 | AO1051 |
| ±5mADC analogue output | 1 | AO1052 |
| ±10mADC analogue output | 1 | AO1053 |
| ±20mADC analogue output | 1 | AO1054 |
| ±1VDC analogue output | 1 | AO1055 |
| ±5VDC analogue output | 1 | AO1056 |
| ±10VDC analogue output | 1 | AO1057 |
| 20mADC analogue output | 2 | AO1026 |
| 10VDC analogue output | 2 | AO1027 |
| ±5mADC analogue output | 2 | AO1028 |
| ±10mADC analogue output | 2 | AO1029 |
| ±20mADC analogue output | 2 | AO1030 |
| ±1VDC analogue output | 2 | AO1031 |
| ±5VDC analogue output | 2 | AO1032 |
| ±10VDC analogue output | 2 | AO1033 |
| RS485 output | 1 | AR1034 |
| Relay output | 1 | AO1058 |
| Relay output | 2 | AO1035 |
| Open collector output | 1 | AO1059 |
| Open collector output | 2 | AO1036 |
| Open collector output | 4 | AO1037 |
| Digital inputs | 3 | AQ1038 |
| RS232 output + RTC (1) | 1 | AR1039 |

The possible module combinations

| Basic unit | Slot A | Slot B | Slot C | Slot D |
|-------------------------------|--------|--------|--------|--------|
| Single analogue output | ● | | | |
| Dual analogue output | ● | ● | | |
| RS485 input/output | | ● | | |
| Single relay output (*) | | | ● | |
| Single open collector out (*) | | | ● | |
| Dual relay output (*) | | | ● | ● |
| Dual open coll. out (*) | | | ● | ● |
| 4 open coll. output (*) | | | | ● |
| 3 digital inputs | | | ● | |
| Basic unit | Slot E | | | |
| RS232 input/output + RTC | | ● | | |

(*) alarm or pulse

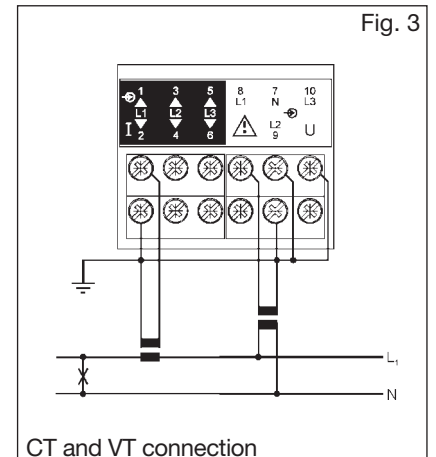
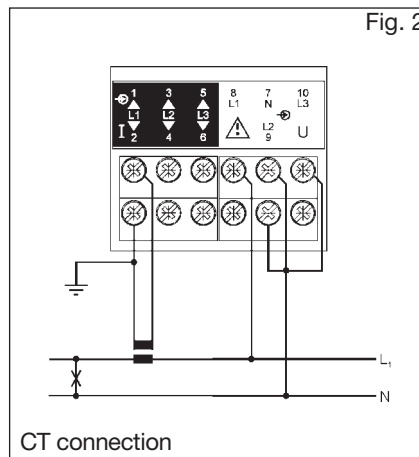
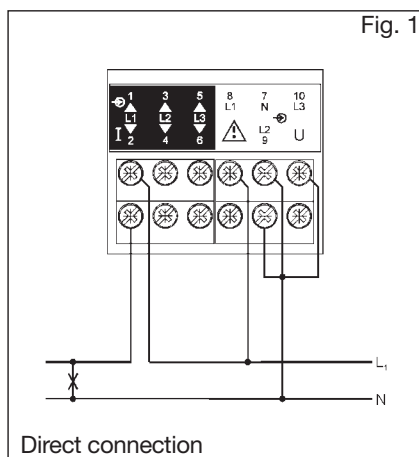


N2-Open Metasys protocol full compatibility (available on request).

(1) The RS232 communication port works as alternative of the RS485 module.

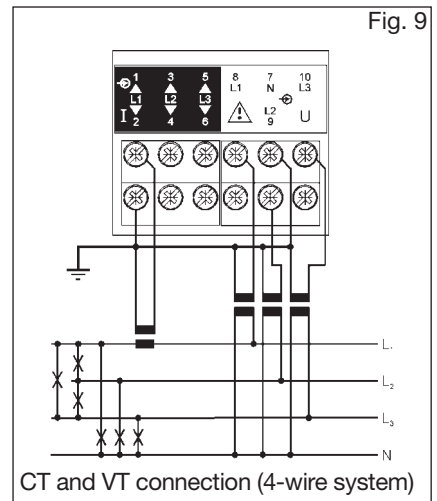
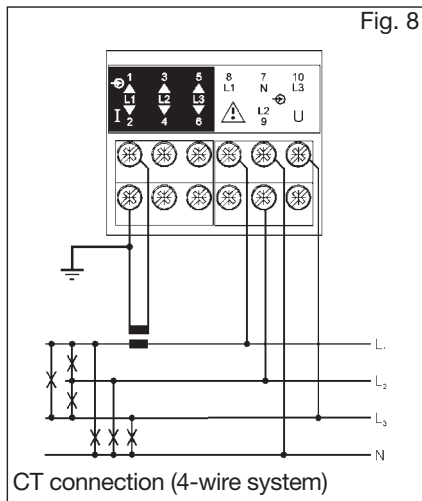
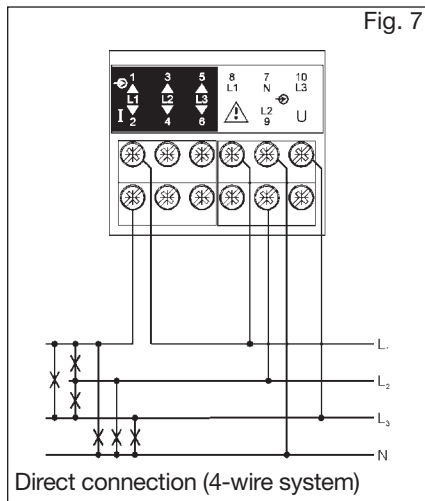
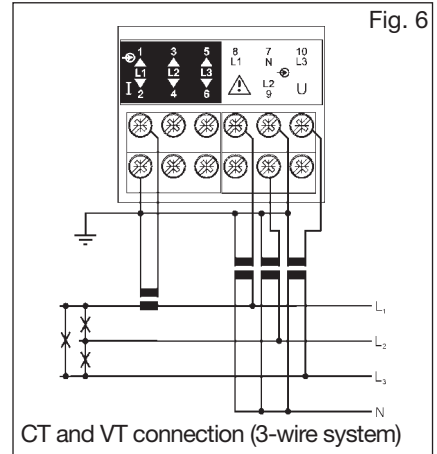
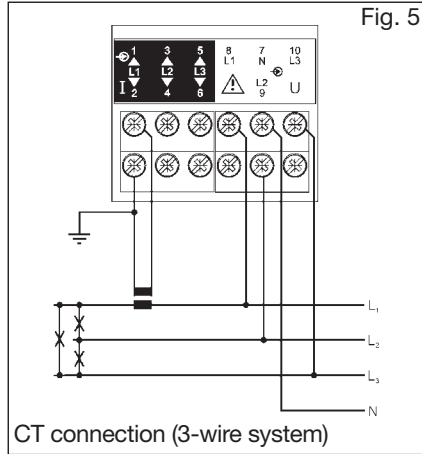
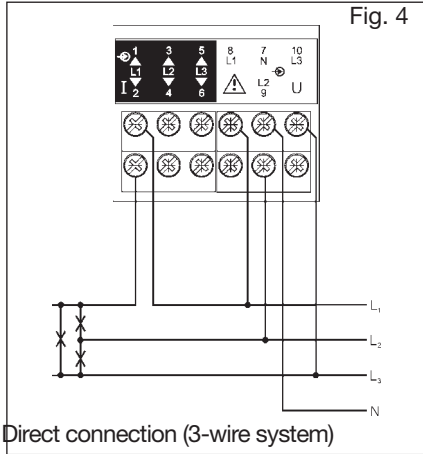
Wiring Diagrams

Single phase input connections

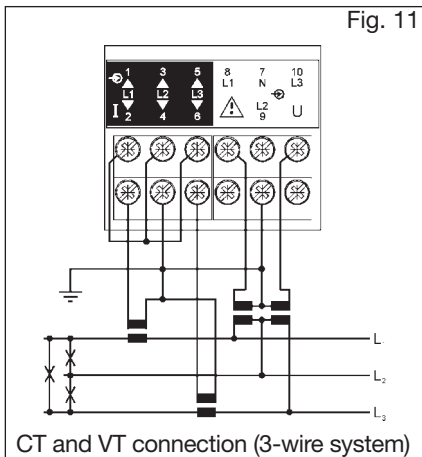
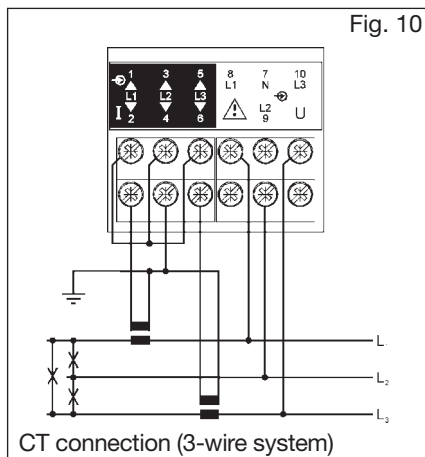


Wiring Diagrams (cont.)

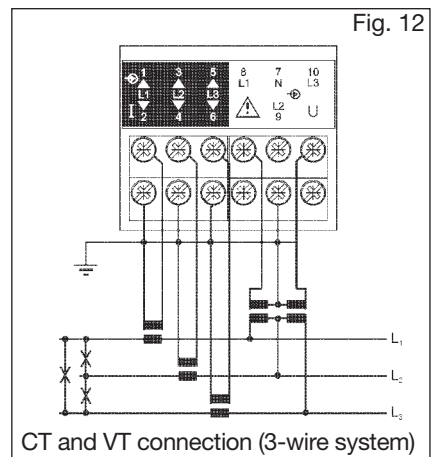
Three-phase wire input connections - Balanced loads



Three-phase, 3-wire ARON input connections - Unbalanced loads

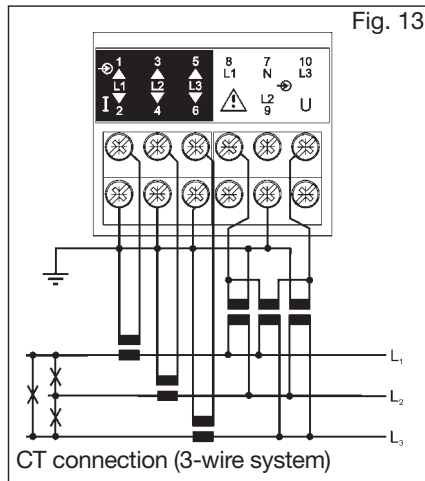


Three-phase, 3-wire input connections - Unbalanced loads

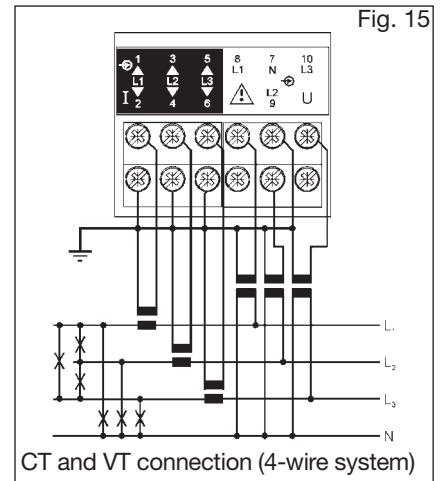
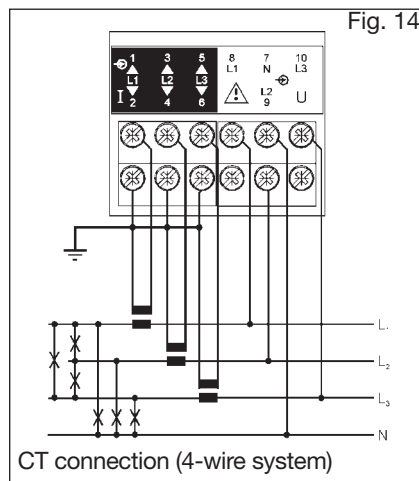


Wiring Diagrams (cont.)

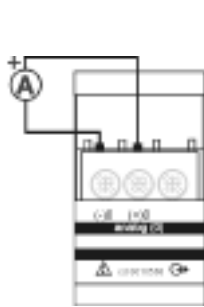
Three-phase three-wire input connections
Unbalanced load



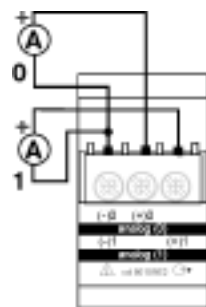
Three-phase four-wire input connections - Unbalanced load



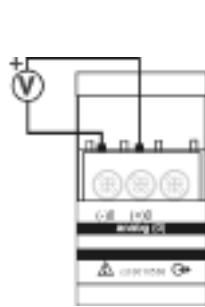
Wiring diagrams (optional modules)



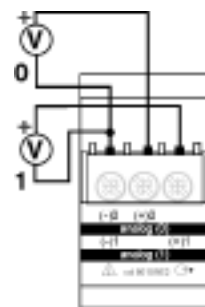
AO1050
1 analogue output (mA)



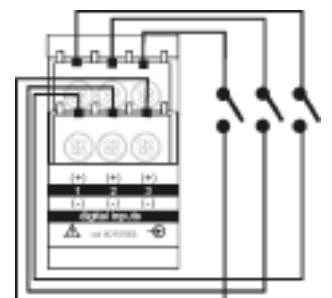
AO1026
2 analogue outputs (mA)



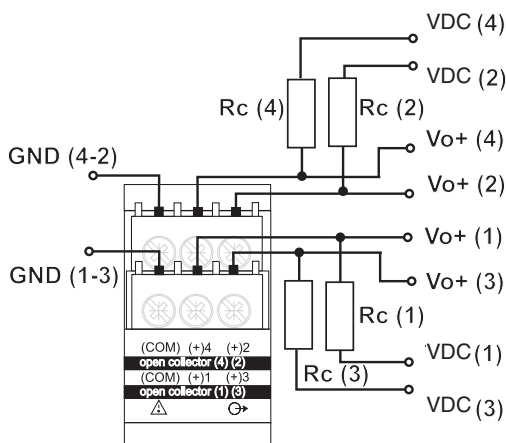
AO1051
1 analogue output (V)



AO1027
2 analogue outputs (V)



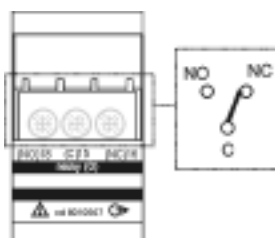
AO1038
3 digital inputs



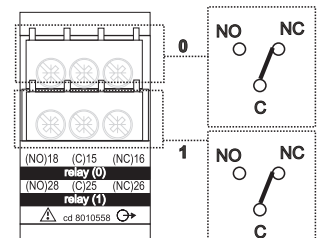
AO1037

4 open collector outputs: The load resistance (R_c) must be designed so that the closed contact current is lower than 100mA; the VDC voltage must be lower than or equal to 30V.

VDC: power supply voltage output. Vo+: positive output contact (open collector transistor). GND: ground output contact (open collector transistor).



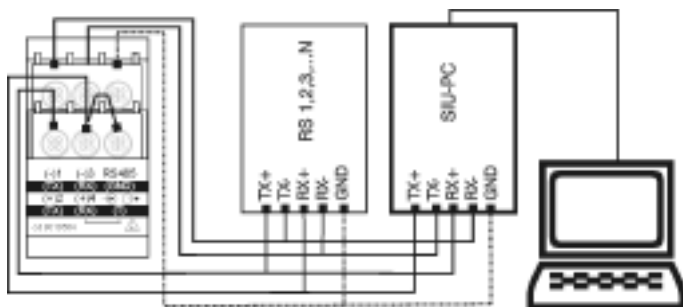
AO1058
1 relay output



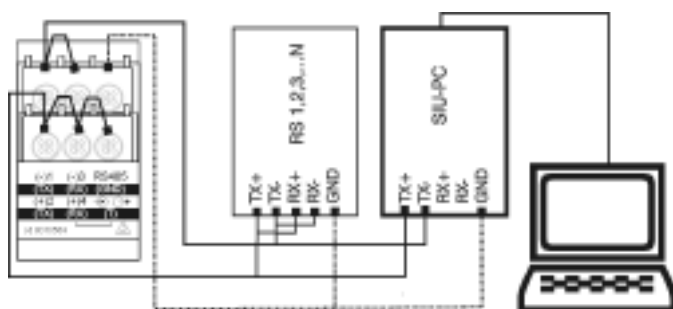
AO1035
2 relay outputs



Wiring diagrams (optional modules, cont.)

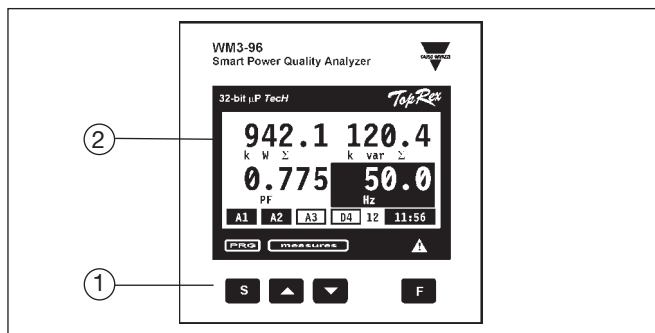


RS422/485 4-wires connection: additional devices provided with RS422/485 (that is RS 1, 2, 3...N) are connected in parallel. The termination of the serial output is carried out only on the last instrument of the network, by means of a jumper between (Rx+) and (T).



RS422/485 2-wires connection: additional devices provided with RS422/485 (that is RS 1, 2, 3...N) are connected in parallel. The termination of the serial output is carried out only on the last instrument of the network, by means of a jumper between (Rx+) and (T).

Front Panel Description



- for value programming/function selection, page scrolling
- "F" for special functions

2. Display

- Istantaneous measurements:
 - 4-digit (maximum read-out 9999)
- Energies:
 - 9-digit (maximum read-out 999999999).

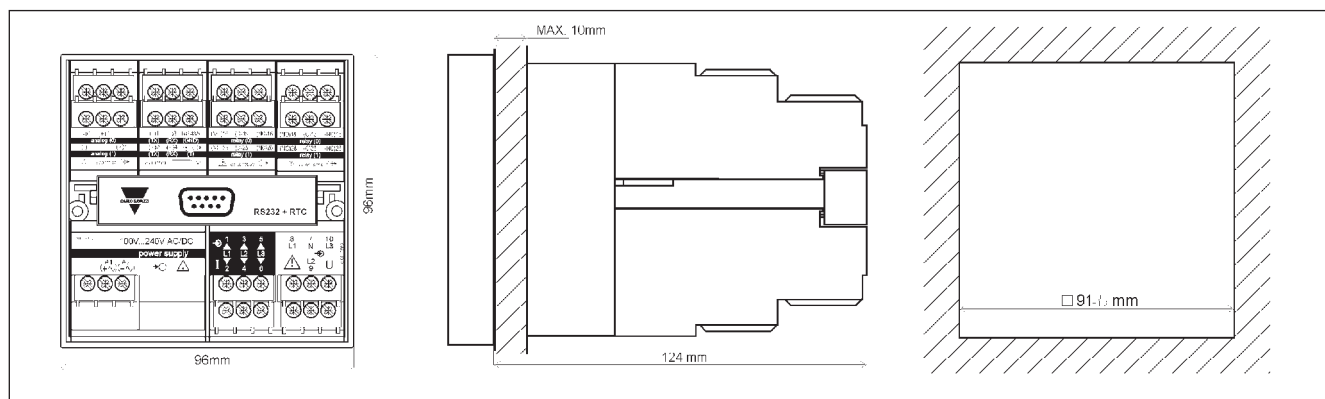
- Alphanumeric indication by means of LCD display for:
 - Displaying the configuration parameters
 - All the measured variables.

1. Key-pad

Set-up and programming procedures are easily controlled by the 4 pushbuttons.

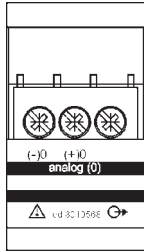
- "S" for enter programming phase and password confirmation,

Dimensions



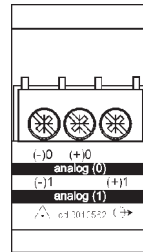
Terminal boards

Single analogue output modules



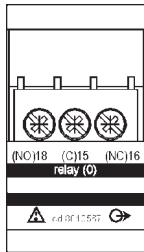
- AO1050** (20mADC)
- AO1051** (10VDC)
- AO1052** (± 5 mADC)
- AO1053** (± 10 mADC)
- AO1054** (± 20 mADC)
- AO1055** (± 1 VDC)
- AO1056** (± 5 VDC)
- AO1057** (± 10 VDC)

Dual analogue outputs

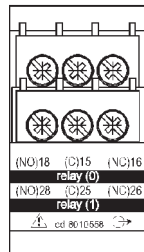


- AO1026** (20mADC)
- AO1027** (10VDC)
- AO1028** (± 5 mADC)
- AO1029** (± 10 mADC)
- AO1030** (± 20 mADC)
- AO1031** (± 1 VDC)
- AO1032** (± 5 VDC)
- AO1033** (± 10 VDC)

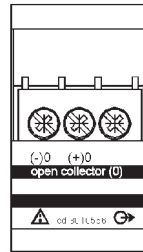
Digital output modules



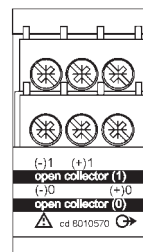
AO1058
Single relay output



AO1035
Dual relay output

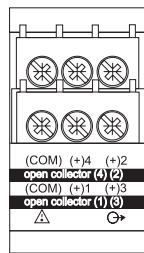


AO1059
Single open collector output

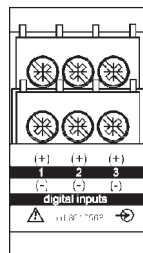


AO1036
Dual open collector output

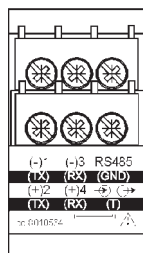
Other input/output modules



AO1037
4 open collector outputs



AQ1038
3 Digital inputs

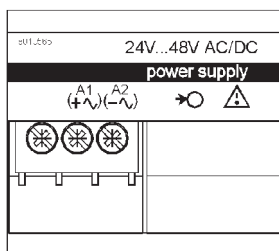


AR1034
RS485 port

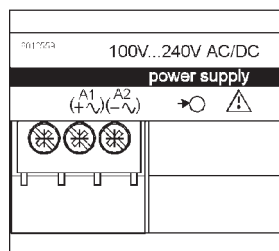


AR1039
RS232 port + RTC

Power supply modules



AP1021
18-60VAC/DC power supply



AP1020
90-260 VAC/DC power supply