

MATERIALS & SPECIFICATIONS

PART NO.	A79100-001	REV	ECO	DATE	APP
		C	96268	10-22-09	TLM

INSULATOR MATERIAL:

THERMOPLASTIC POLYMER PER MIL-DTL-32139

CONTACT MATERIAL:

COPPER ALLOY PER MIL-DTL-32139. GOLD PLATED PER ASTM B488, (HARD GOLD) TYPE II CODE C CLASS 1.27

TERMINATION:

32 AWG (7-40) TYPE ET, PER NEMA HP3, COLOR CODED PER TABLE

CURRENT CAPACITY:

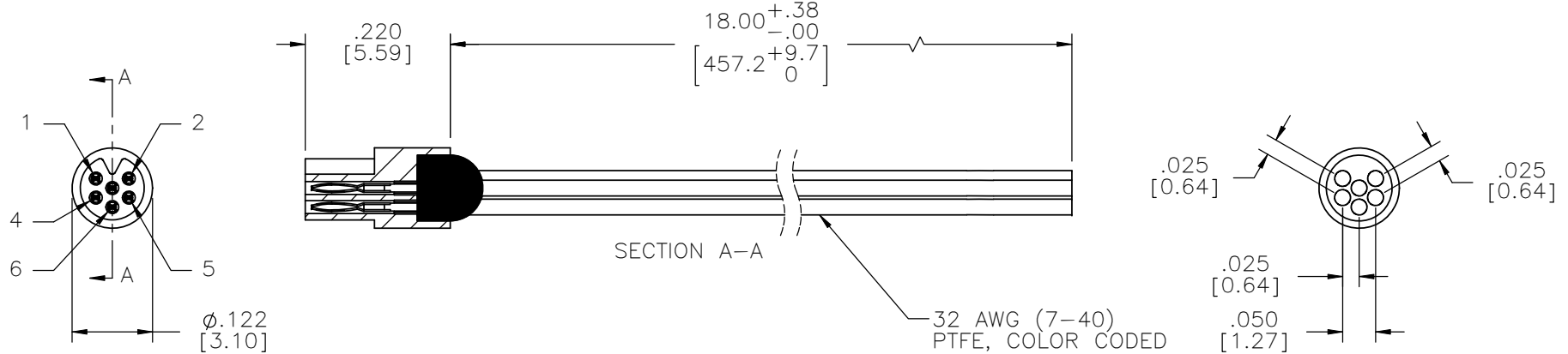
1 AMP MAX PER MIL-DTL-32139

CONTACT RESISTANCE:

71 MILLIOHMS (71 mV) MAX @ 1.0 AMPS PER MIL-DTL-32139



ACTUAL SIZE
EXCLUDING WIRE LENGTH



LOADING VIEW
LESS EPOXY

PIN #	COLOR
1	BLACK
2	BROWN
3	RED
4	ORANGE
5	YELLOW
6	GREEN

INTERNAL USE ONLY

USE MFG. LOADING
PROCEDURE NC-6P

MCT/S	THIRD ANGLE	THIS DRAWING CONTAINS CONFIDENTIAL AND PROPRIETARY INFORMATION WHICH IS THE PROPERTY OF OMNETICS CONNECTOR CORP. THIS DOCUMENT MAY NOT, IN WHOLE OR IN PART, BE DUPLICATED, OR DISCLOSED FOR ANY PURPOSE, WITHOUT WRITTEN PERMISSION FROM OMNETICS CONNECTOR CORP.		DATE 01-14-09	TITLE: (6) PIN MALE NANO CIRCULAR CONNECTOR	CAGE CODE 61873	DWG NO. A79100-001
	UNLESS OTHERWISE NOTED	DFTM. TLM	DATE				
SLDW	DIMENSIONS IN INCHES	CHK'D.	DATE	7260 COMMERCE CIRCLE EAST MINNEAPOLIS, MN 55432 WWW.OMNETICS.COM		SHEET 1 OF 1	REV C
	2 PL DEC ± .01 3 PL DEC ± .005 4 PL DEC ± .0005 ANGLES ± 1°	APP'D.	DATE	SCALE: 4:1			