

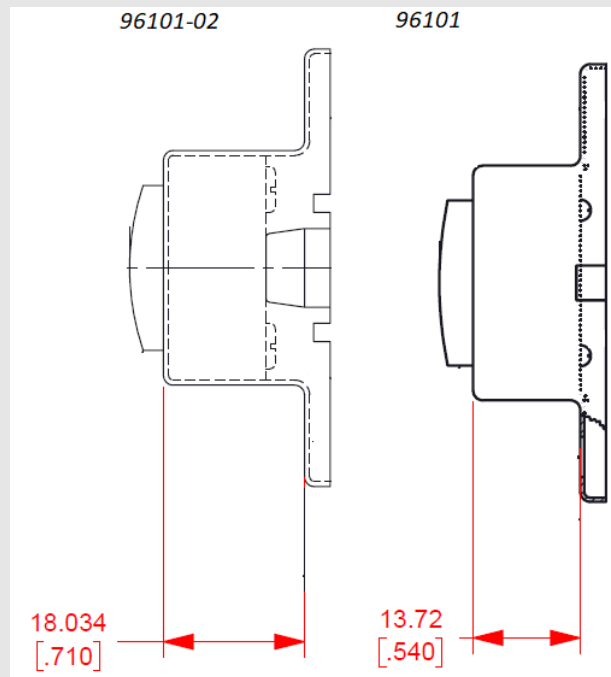
**Issue Date:** July 10<sup>th</sup>, 2019

Dear Valued Customer,

This notice is to inform you of an obsolescence of an item that you have purchased from Littelfuse.

**Description of the Change:**

- Littelfuse will obsolete and no longer support production of switch 96101-02.
- As a substitute, Littelfuse can offer 96101. The footprint and function of this replacement are the same, but the housing is slightly shorter, as indicated below:



**Reason for The Change:**

- Due to an unforeseen circumstance with an important procurement partner, we will no longer be able to sustain the supply chain to continue production of this assembly.

**Effective Date of the Change:**

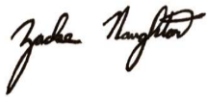
- July 10<sup>th</sup>, 2019

**What You Need to Do:**

- Do to the nature of this change, we will not be able to support any last-time buys of the 96101-02. We will fill existing orders to the extent we are able.
- Existing orders can be shifted to our suggested replacement part or modified as needed.

If you have any questions, please feel free to contact your Littelfuse Customer Service Representative or your Inside Sales Representative. We appreciate your business and our continued partnership.

Sincerely,



Zachary Naughton  
Global Product Manager  
Littelfuse Commercial Vehicle Products