

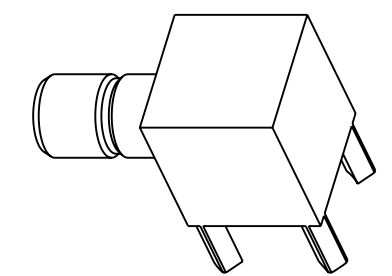
NOTES:

1. MATERIALS AND FINISHES:
 CUBE BODY - BRASS, TIN PLATING (.000200 THICK)
 BODY - BRASS, GOLD PLATING (.000030 THICK)
 MALE CONTACT - BeCu, GOLD PLATING (.000030 THICK)
 INSULATORS (2) - PTFE
2. ELECTRICAL:
 A. IMPEDANCE: 75 OHM
 B. FREQUENCY RANGE: DC - 2 GHz
 C. DIELECTRIC WITHSTANDING VOLTAGE: 1000 VRMS, MIN.
3. MECHANICAL:
 A. DURABILTIY: 500 CYCLES MIN.
 B. TEMERATURE RANGE: 65° C TO 165° C
4. PACKAGING:
 A. QUANTITY: SINGLE PACK
 B. MARKING: BAG TO BE MARKED
 "AMPHENOL, 903-601J-71P, AND DATE CODE"

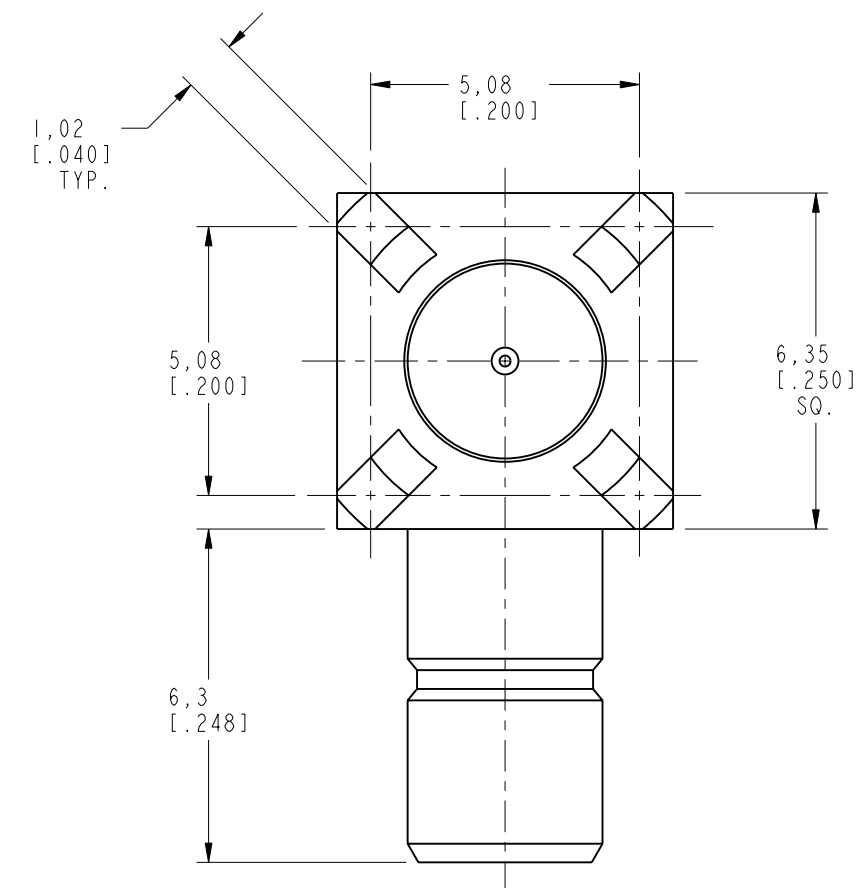
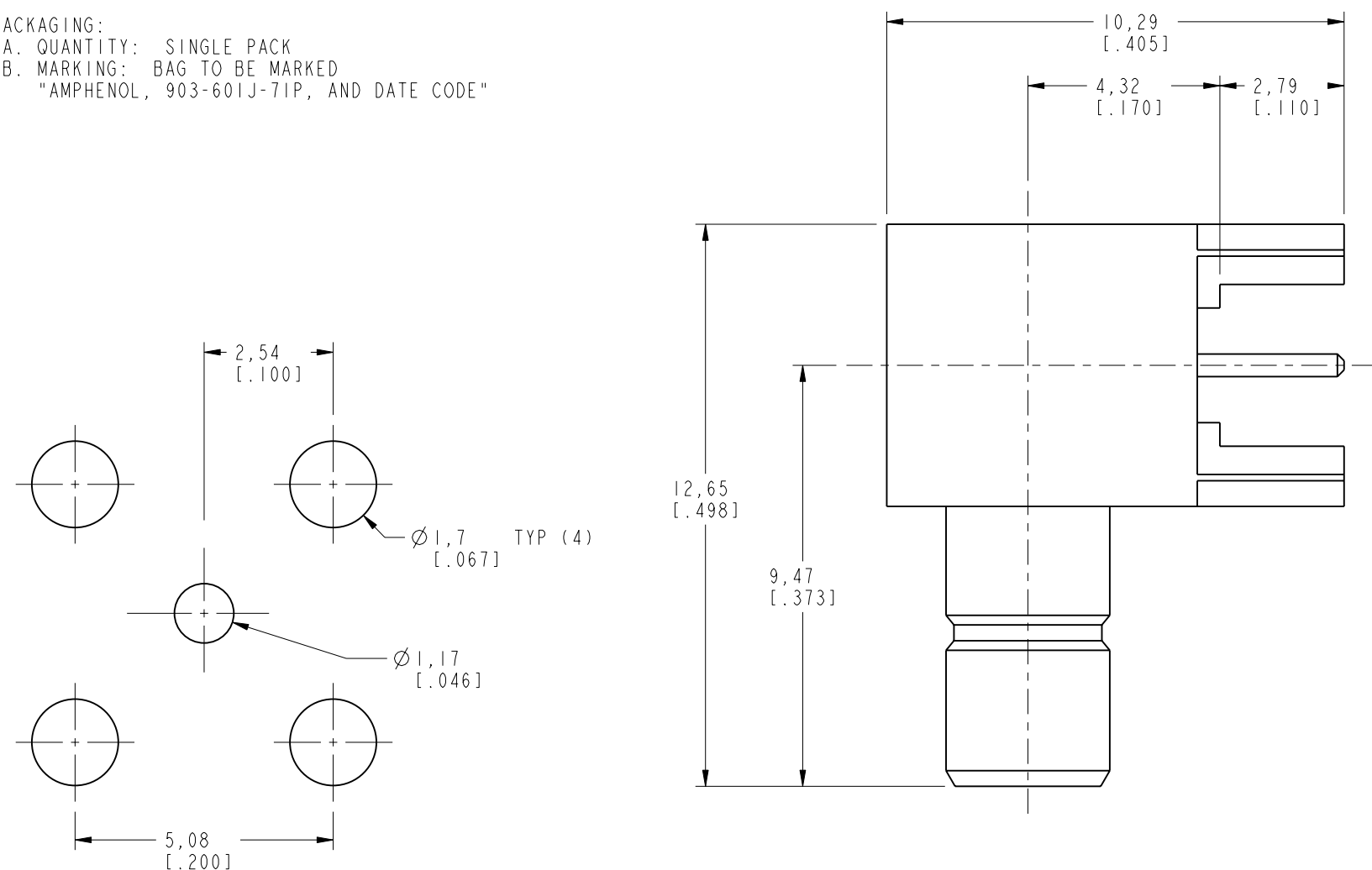
THIRD ANGLE PROJ.

REVISIONS

REV	DESCRIPTION	DATE	ECO	APPR
A	RELEASE TO MFG.	3/29/01	43711	CPM
B	ITEM 3 WAS 903-10500-TC	2/4/05	45292	KJC
C	ADD METRIC DIMENSIONS	07-Sep-12	49249	RM
D	ADDED CO.15 CHAMFER TO CONTACT PCB END \\DMI5042401M3	29-Jun-15	50480	MD



SCALE 3.000



RECOMMENDED PCB MOUNTING HOLES

SCALE 8.000

CUSTOMER OUTLINE DRAWING

ALL OTHER SHEETS ARE FOR INTERNAL USE ONLY

UNLESS OTHERWISE SPECIFIED, DIMENSIONS ARE IN INCHES AND TOLERANCES ARE: 2 PLACE DECIMAL 3 PLACE DECIMAL ANGLES $\pm .015$ (0.381 mm) $\pm .005$ (0.127 mm) $\pm 1^\circ$	MATERIAL	DRAWN	DATE	TITLE	Amphenol RF
	-	R. MAO	03-Sep-12		
NOTICE - These drawings, specifications, or other data (1) are, and remain the property of Amphenol corp. (2) must be returned upon request; and (3) are confidential and not to be disclosed to any person other than those to whom they are given by Amphenol Corp. the furnishing of these drawings, specifications, or other data by Amphenol Corp., or to any other person to anyone for any purpose is not to be regarded by implication or otherwise in any manner licensing, granting rights to permitting such holder or any other person to manufacture, use or sell any product, process or design, patented or otherwise, that may in any way be related to or disclosed by said drawings, specifications, or other data.	REFERENCE	ENGINEER	DATE	SCALE: 7.0:1.0 SHEET 2 OF 2	DRAWING NO. 903-601J-71P
	EAR 164 GEN# ASSYF15_SMB 615X-1638-100	P. BRENZEL	13-Mar-01		ITEM NO. 903-601J-71P
	FINISH	APPROVED	DATE	DWG SIZE	REV
	S. HSIEH	07-Sep-12	B	D	